



Brief Introduction 企业简介

上海品基电子科技有限公司是一家专业生产尼龙电缆防水接头、金属电缆防水接头，电缆固定头，PE PP PA尼龙波纹管、各规格波纹管快速接头等配线器材的企业。公司拥有雄厚的技术力量和先进的生产设备，严格的质量管理，先进的工艺作保障，不断提升产品质量，努力开拓市场，使公司得以快速发展，并通过了ISO9001:2000质量管理体系国际认证，阻燃尼龙软管已通过铁道部产品质量检测，新款电缆接头防护等级达到IP68、标准尼龙软管通过RoHS环保认证，包塑金属软管通过RoHS环保认证，产品被广泛应用于电力机车，汽车线束，机床机械，电子，电气成套等工业。

公司凭借一流的产品，合理的价格和完善的服务而赢得广大客户的信赖，近几年在国内形成了完善的销售网络，并与日本、南美、西欧等许多国家的客户建立了稳定友好的合作关系。

追求质量是品基永恒的主题，锐意进取、与时俱进是品基人的精神，不断创新是企业的理念，我们真诚愿意和各界朋友一道携手共创美好的未来！

本着“求实、创新”的精神，遵循“以质量求生存，以科技促发展，以产品拓市场”的理念，在全体员工的共同努力下，不断地探索与开拓，公司取得了迅猛发展，产品远销海内外，深受客户的一致好评。

公司贯彻实施ISO9001:2000质量体系，并以合理的价格，准时的交货，及时的服务吸引顾客。愿和世界同行接轨，成为世界性的供方。欢迎光临品基电子！



Shanghai Pinji Electronic Technology Co., Ltd is Specialized in manufacturing the cable glands, flexible pipe, plastic wiring ducts, nylon cable tie and so on. We have advanced production equipment, abundant technical force. Now we have passed the certificate of ISO9001:2000 and most of our products like cable glands have got IP68-10, CE, PAHs and RoHS certificates.

The produces has been widely used into power train, automobile cables, mechanical and machines, engineering and installation etc.

Recently, it forms a complete network for sales in domestic, and also established a good relationship and cooperation with the customers from Japan, South America, Europe and other countries.

In Pinji, pursuing the quality is the everlasting theme; the spirit of enterprise and keeping the pace with the time are the spirit of him; and continuous innovation is the philosophy. We with sincerity hope to make a better future with all the friends from all over the world!

目录

Contents

| | | |
|---------------|--|-----|
| 尼龙电缆防水接头 (A型) | Nylon Cable Glands(A-Type)..... | 01 |
| 尼龙电缆防水接头 (B型) | Nylon Cable Glands(B-Type)..... | 04 |
| 90度尼龙电缆防水接头 | 90°elbow Cable Glands(A-Tpye)..... | 08 |
| 耐扭试电缆接头 | Flex Protecting Cable Gland..... | 10 |
| 90度耐扭试电缆接头 | 90°elbow Flex Protecting Cable Gland..... | 14 |
| 快速接头 | Quick Connector For Flexible Pipes..... | 15 |
| 90度快速接头 | 90°elbow Quick Connector For Flexible Pipes..... | 18 |
| 浪管接头 | Powerful Watertight Corrugated Tubing Fittings..... | 21 |
| 90度浪管接头 | 90°elbow Powerful Watertight Corrugated Tubing Fittings..... | 24 |
| 尼龙多孔电缆接头 | Multi-hole &falt-hole Cable Glands..... | 26 |
| 连接器 | Two Side Connect Nylon Cable Gland..... | 30 |
| 尼龙闷盖 | Nylon Screw Plugs..... | 32 |
| 尼龙塞棒 | EPDM Sealing Plugs..... | 35 |
| 尼龙透气阀 | Glands Nylon Breathable valve..... | 37 |
| BW铠装金属接头 | BW cable gland..... | 39 |
| PJ-A型金属接头 | PJ-A Waterproof Brass Cable Gland..... | 41 |
| 不锈钢接头 | Stainless Steel Cable Glands..... | 44 |
| 金属防水接头 | Watertight Brass Cable Gland..... | 46 |
| 船用填料函-焊接式 | TH Soldered Type..... | 48 |
| 船用填料函-加紧式 | TJ Clamping Type..... | 50 |
| 船用填料函-日式 | JIS Standard Type..... | 52 |
| 弹簧防磁波金属接头 | Spring EMC Metal thread type..... | 54 |
| 防磁波金属接头 | EMC Metal thread type..... | 57 |
| 金属透气阀 | Metal Breathable valve..... | 61 |
| 金属变径环 | Metal Reducer..... | 63 |
| 金属扩径环 | Metal Enlarger..... | 65 |
| 金属软管接头 | DPN Hexagonal Female..... | 67 |
| DPJ六方外牙 | DPJ Hexagonal Male..... | 69 |
| DKJ六方卡套式 | Hexagonal Straingt Pipe Coupling..... | 71 |
| DGJ六方自固式 | DGJ Hexagonal Ferrle Union Joints..... | 73 |
| DPJ梅花外牙 | DPJ Plum Male..... | 75 |
| DPN梅花内牙 | DPN Plum Female..... | 77 |
| DKJ梅花卡套式 | DKJ Plum Straight Pipe Coupling..... | 79 |
| DGJ梅花自固式 | DGJ Plum Ferrule Tube Joints..... | 81 |
| 金属多孔接头 | Multiple Cable Gland..... | 88 |
| 金属硅胶接头 | Silicon rubber insert type Cable Gland..... | 90 |
| 金属六角闷盖 | Brass Screw Cap-Hexagon..... | 92 |
| 金属圆形闷盖 | Brass Screw Cap-Circle..... | 96 |
| 金属耐扭式电缆接头 | Metal Flex Protecting Cable Gland..... | 99 |
| 波纹管 | Nylon Bellows..... | 101 |
| 软管支架 | Bracket For Flexible Pipe..... | 105 |



To create high-quality cable wiring equipment
全力打造精品电缆配线器材

追求卓越品质 专业打造尼龙防水接头



技术参数

- ◆ **螺牙规格:** 公制牙 (Metric) , PG牙, G(PF)牙及NPT牙。(螺牙可定制)
- ◆ **产品材质:** A、C、E、F部分采用UL认可之尼龙PA66制成 (防火等级UL94V-2), 可定制UL认可防火94V-0尼龙PA66材料。B、D部分采用三元乙丙 (EPDM) 耐候橡胶制成, 可定制耐寒耐高温、耐化学等橡胶。
- ◆ **防水等级:** IP68-10。 ◆ **颜色:** 黑色、灰色, 其他颜色可定制。
- ◆ **工作温度:** 静态-40°C至100°C, 或瞬间可耐热至120°C。动态-20°C至80°C, 或瞬间可耐热至100°C。
- ◆ **产品特性:** 特殊设计的夹紧圈与夹紧爪, 迫紧螺帽带松紧扣, 夹紧电缆范围大, 抗拉力强, 可防水, 防尘, 抗盐, 耐弱酸, 酒精, 油, 油脂及一般溶剂。
- ◆ **Thread:** Metric, PG, G(PF) and NPT
- ◆ **Materials:** UL approved Nylon PA66(Flammability UL94V-2) for A,C,E,F parts, customizable UL accredited fireproof 94V-0 nylon PA66 materials, EPDM for B,D parts, can customize other rubber.
- ◆ **Protection degree:** IP68-10
- ◆ **Working temperature:** -40°C to 100°C, in state instantaneous heat resistance up to 120 °C. -20°C to 80°C in dynamic state Instantaneous heat resistance up to 100°C.
- ◆ **Features:** The claws and seals of excellent design. Sealing nut have a "click" sound and re-open, can hold cable firmly and have a wider cable range. Resistant to salt water, weak acid, alcohol, oil, grease and common solvency.

电缆接头 分解示意图

A型分体



尼龙电缆防水接头 (A型分体)

规格灵活可定制
免费样品提供

◆ 公制牙(Metric)

| 螺牙规格 Thread | 规格 Sizes | 电缆范围 Ø(mm) | 螺纹外径 C1(mm) | 螺纹长度 C2(mm) | 扳手径 A&F(mm) | 包装 (PCS) |
|----------------|-------------|---------------|----------------|----------------|----------------|-------------|
| M12*1.5 | MGA12-5.5 | 3-5.5 | 12 | 8.5 | 18/19 | 50 |
| | MGA12-08 | 4-8 | 12 | 8.5 | 18/19 | 50 |
| M16*1.5 | MGA16-7-ST | 4-7 | 16 | 10 | 22/22 | 50 |
| | MGA16-10-ST | 6-10 | 16 | 10 | 22/22 | 50 |
| | MGA16L-7 | 4-7 | 16 | 15 | 22/22 | 50 |
| M20*1.5 | MGA16L-10 | 6-10 | 16 | 15 | 22/22 | 50 |
| | MGA20-11-ST | 6-11 | 20 | 10 | 27/27 | 50 |
| | MGA20-14-ST | 8-14 | 20 | 10 | 27/27 | 50 |
| M25*1.5 | MGA20L-11 | 6-11 | 20 | 15 | 27/27 | 50 |
| | MGA20L-14 | 8-14 | 20 | 15 | 27/27 | 50 |
| | MGA25-16-ST | 12-16 | 25 | 12 | 33/33 | 50 |
| M32*1.5 | MGA25-18-ST | 13-18 | 25 | 12 | 33/33 | 50 |
| | MGA25L-16 | 12-16 | 25 | 15 | 33/33 | 50 |
| | MGA25L-18 | 13-18 | 25 | 15 | 33/33 | 50 |
| M40*1.5 | MGA32-22 | 15-22 | 32 | 12 | 41/42 | 20 |
| | MGA32-25 | 18-25 | 32 | 12 | 41/42 | 20 |
| | MGA32L-22 | 15-22 | 32 | 15 | 41/42 | 20 |
| M50*1.5 | MGA32L-25 | 18-25 | 32 | 15 | 41/42 | 20 |
| | MGA40-26 | 20-26 | 40 | 20 | 50/52 | 10 |
| M63*1.5 | MGA40-31 | 24-31 | 40 | 20 | 50/52 | 10 |
| | MGA50-33 | 25-33 | 50 | 22 | 62/62 | 10 |
| M75*2.0 | MGA50-41 | 31-41 | 50 | 22 | 62/62 | 10 |
| | MGA63-46 | 39-46 | 63 | 25 | 75/75 | 10 |
| M90*2.0 | MGA63-51 | 41-51 | 63 | 25 | 75/75 | 10 |
| | MGA75-56 | 50-56 | 75 | 25 | 92/92 | 1 |
| | MGA75-66 | 56-66 | 75 | 25 | 92/92 | 1 |
| | MGA90-68 | 58-88 | 90 | 25 | 110/110 | 1 |
| | MGA90-77 | 66-77 | 90 | 25 | 110/110 | 1 |

尼龙电缆防水接头 (A型分体)

◆ 德制牙(PG) / 英制牙(G)

规格灵活可定制
免费样品提供

| 螺牙规格 Thread | 规格 Sizes | 电缆范围 Ø(mm) | 螺纹外径 C1(mm) | 螺纹长度 C2(mm) | 扳手径 A&F(mm) | 包装 (PCS) |
|----------------|--------------|---------------|----------------|----------------|----------------|-------------|
| PG7 | PGA7-5.5 | 3-5.5 | 12.5 | 8 | 17/19 | 50 |
| | PGA7-8 | 4-8 | 12.5 | 8 | 17/19 | 50 |
| PG9 | PGA9-5.5 | 3-5.5 | 15.2 | 8.2 | 22/19 | 50 |
| | PGA9-8 | 4-8 | 15.2 | 8.2 | 22/19 | 50 |
| PG11 | PGA11-7 | 4-7 | 18.6 | 10 | 24/22 | 50 |
| | PGA11-10 | 6-10 | 18.6 | 10 | 24/22 | 50 |
| PG13.5 | PGA13.5-9 | 5-9 | 20.4 | 10 | 27/24 | 50 |
| | PGA13.5-12.5 | 8-12.5 | 20.4 | 10 | 27/24 | 50 |
| PG16 | PGA16-11 | 7-11 | 22.5 | 11 | 30/27 | 50 |
| | PGA16-14 | 8-14 | 22.5 | 11 | 30/27 | 50 |
| PG21 | PGA21-16 | 10-16 | 28.3 | 12 | 36/33 | 50 |
| | PGA21-18 | 12-18 | 28.3 | 12 | 36/33 | 50 |
| PG29 | PGA29-22 | 15-22 | 37 | 12 | 46/41 | 20 |
| | PGA29-25 | 18-25 | 37 | 12 | 46/41 | 20 |
| PG36 | PGA36-26 | 20-26 | 47 | 14 | 57/52 | 10 |
| | PGA36-31 | 26-31 | 47 | 14 | 57/52 | 10 |
| PG42 | PGA42-33 | 25-33 | 54 | 15 | 64/62 | 10 |
| | PGA42-41 | 31-41 | 54 | 15 | 64/62 | 10 |
| PG48 | PGA48-51 | 41-51 | 59.3 | 18.2 | 70/75 | 10 |
| G(PF)1/4" | GA1/4-5 | 3-5.5 | 13.157 | 8.5 | 19/19 | 50 |
| | GA1/4-8 | 4-8 | 13.157 | 8.5 | 19/19 | 50 |
| G(PF)3/8" | GA3/8-7 | 4-7 | 16.662 | 10 | 22/22 | 50 |
| | GA3/8-10 | 6-10 | 16.662 | 10 | 22/22 | 50 |
| G(PF)1/2" | GA1/2-9 | 5-9 | 20.955 | 10 | 27/24 | 50 |
| | GA1/2-12.5 | 6-12.5 | 20.955 | 10 | 27/24 | 50 |
| G(PF)3/4" | GA3/4-13 | 7-13 | 26.441 | 12 | 36/33 | 50 |
| | GA3/4-18 | 13-18 | 26.441 | 12 | 36/33 | 50 |
| G(PF)1" | GA1-21 | 15-22 | 33.249 | 15 | 46/41 | 20 |
| | GA1-25 | 18-25 | 33.249 | 15 | 46/41 | 20 |
| G(PF)1 1/4" | GA1 1/4-25.5 | 17-25.5 | 41.91 | 15 | 57/52 | 10 |
| | GA1 1/4-31 | 26-31 | 41.91 | 15 | 57/52 | 10 |
| G(PF)1 1/2" | GA1 1/2-33 | 25-33 | 48 | 22 | 60/62 | 10 |
| | GA1 1/2-41 | 31-41 | 48 | 22 | 60/62 | 10 |
| G(PF) 2" | GA2-46 | 39-46 | 60 | 25 | 72/65 | 10 |
| | GA2-51 | 44-51 | 60 | 25 | 72/65 | 10 |

追求卓越品质
专业打造尼龙防水接头



技术参数

- ◆ **螺牙规格:** 公制牙 (Metric) , PG牙, G(PF)牙及NPT牙。(螺牙可定制)
- ◆ **产品材质:** A、C、F部分采用UL认可之尼龙PA66制成 (防火等级UL94V-2), 可定制UL认可防火94V-0尼龙PA66材料。B、D部分采用三元乙丙 (EPDM) 耐候橡胶制成, 可定制耐寒耐高温、耐化学等橡胶。
- ◆ **防水等级:** IP68-10。 ◆ **颜色:** 黑色、灰色, 其他颜色可定制。
- ◆ **工作温度:** 静态-40°C至100°C, 或瞬间可耐热至120°C。动态-20°C至80°C, 或瞬间可耐热至100°C。
- ◆ **产品特性:** 特殊设计的夹紧圈与夹紧爪, 迫紧螺帽带松紧扣, 夹紧电缆范围大, 抗拉力强, 可防水, 防尘, 抗盐, 耐弱酸, 酒精, 油, 油脂及一般溶剂。
- ◆ **Thread:** Metric, PG, G(PF) and NPT
- ◆ **Materials:** UL approved Nylon PA66 (Flammability UL94V-2) for A.C.E.F parts, customizable UL accredited fireproof 94V-0 nylon PA66 materials, EPDM for B, D parts, can customize other rubber.
- ◆ **Protection degree:** IP68-10
- ◆ **Working temperature:** -40°C to 100°C, in state instantaneous heat resistance up to 120 °C. -20°C to 80°C in dynamic state Instantaneous heat resistance up to 100°C.
- ◆ **Features:** The claws and seals of excellent design. Sealing nut have a "click" sound and re-open, can hold cable firmly and have a wider cable range. Resistant to salt water, weak acid, alcohol, oil, grease and common solvency.

电缆接头分解示意图

B型连体



尼龙电缆防水接头 (B型连体)

◆ 公制牙(Metric)

规格灵活可定制
免费样品提供

| 螺牙规格 | 型号 | 电缆范围 Ø(mm) | 螺纹外径 C1(mm) | 螺纹长度 C2(mm) | 扳手径 A&F(mm) | 包装 (PCS) |
|----------|--------------|---------------|----------------|----------------|----------------|-------------|
| M8*1 | MGB8-2.5 | 1-2.5 | 8 | 7.5 | 12/13 | 50 |
| | MGB8-4.8 | 2-4.8 | 8 | 7.5 | 12/13 | 50 |
| M10*1.25 | MGB10-3 | 1-3 | 10 | 8 | 15/13 | 50 |
| | MGB10-6 | 3-6 | 10 | 8 | 15/13 | 50 |
| M12*1.5 | MGB12S-3 | 1-3 | 12 | 8.5 | 18/15 | 50 |
| | MGB12S-6.5 | 3-6.5 | 12 | 8.5 | 18/15 | 50 |
| | MGB12SL-3 | 1-3 | 12 | 15 | 18/15 | 50 |
| | MGB12SL-6.5 | 3-6.5 | 12 | 15 | 18/15 | 50 |
| | MGB12-5 | 3-5.5 | 12 | 8.5 | 18/19 | 50 |
| | MGB12-8 | 4-8 | 12 | 8.5 | 18/19 | 50 |
| | MGB12L-5 | 3-5.5 | 12 | 15 | 18/19 | 50 |
| | MGB12L-8 | 4-8 | 12 | 15 | 18/19 | 50 |
| M16*1.5 | MGB16S-5 | 3-5.5 | 16 | 10 | 22/19 | 50 |
| | MGB16S-8 | 4-8 | 16 | 10 | 22/19 | 50 |
| | MGB16SL-5 | 3-5.5 | 16 | 15 | 22/19 | 50 |
| | MGB16SL-8 | 4-8 | 16 | 15 | 22/19 | 50 |
| | MGB16-7 | 3-7 | 16 | 10 | 22/22 | 50 |
| | MGB16-10 | 6-10 | 16 | 10 | 22/22 | 50 |
| | MGB16L-7 | 3-7 | 16 | 15 | 22/22 | 50 |
| | MGB16L-10 | 6-10 | 16 | 15 | 22/22 | 50 |
| M18*1.5 | MGB18-7 | 3-7 | 18 | 10 | 24/22 | 50 |
| | MGB18-10 | 6-10 | 18 | 10 | 24/22 | 50 |
| | MGB18L-7 | 3-7 | 18 | 15 | 24/22 | 50 |
| | MGB18L-10 | 6-10 | 18 | 15 | 24/22 | 50 |
| M20*1.5 | MGB20S-9 | 5-9 | 20 | 10 | 27/24 | 50 |
| | MGB20S-12.5 | 6-12.5 | 20 | 10 | 27/24 | 50 |
| | MGB20SL-9 | 5-9 | 20 | 15 | 27/24 | 50 |
| | MGB20SL-12.5 | 6-12.5 | 20 | 15 | 27/24 | 50 |
| | MGB20-11 | 7-11 | 20 | 10 | 27/27 | 50 |
| | MGB20-13.5 | 9-14 | 20 | 10 | 27/27 | 50 |
| | MGB20L-11 | 7-11 | 20 | 15 | 27/27 | 50 |
| | MGB20L-13.5 | 9-14 | 20 | 15 | 27/27 | 50 |

尼龙电缆防水接头 (B型连体)

◆ 公制牙(Metric) / 德制牙(PG)

规格灵活可定制
免费样品提供

| 螺牙规格 | 型号 | 电缆范围 Ø(mm) | 螺纹外径 C1(mm) | 螺纹长度 C2(mm) | 扳手径 A&F(mm) | 包装(PCS) |
|---------|--------------|---------------|----------------|----------------|----------------|---------|
| M25*1.5 | MGB25S-11 | 5-11 | 25 | 12 | 33/27 | 50 |
| | MGB25S-14 | 9-14 | 25 | 12 | 33/27 | 50 |
| | MGB25-13 | 7-13 | 25 | 12 | 33/33 | 50 |
| | MGB25-18 | 13-18 | 25 | 12 | 33/33 | 50 |
| | MGB25L-13 | 7-13 | 25 | 15 | 33/33 | 50 |
| | MGB25L-18 | 13-18 | 25 | 15 | 33/33 | 50 |
| M32*1.5 | MGB32-17.5 | 13-17.5 | 32 | 12 | 41/42 | 20 |
| | MGB32-25 | 18-25 | 32 | 12 | 41/42 | 20 |
| | MGB32-17.5 | 13-17.5 | 32 | 15 | 41/42 | 20 |
| | MGB32-25 | 18-25 | 32 | 15 | 41/42 | 20 |
| M36*1.5 | MGB36-17.5 | 13-17.5 | 36 | 12 | 45/42 | 20 |
| | MGB36-25 | 18-25 | 36 | 12 | 45/42 | 20 |
| M40*1.5 | MGB40-25 | 18-25 | 40 | 15 | 50/52 | 10 |
| | MGB40-31 | 26-31 | 40 | 15 | 50/52 | 10 |
| M50*1.5 | MGB50-32 | 2-32 | 50 | 15 | 62/62 | 10 |
| | MGB50-41 | 26-31 | 50 | 15 | 62/62 | 10 |
| M63*1.5 | MGB63-41 | 30-41 | 63 | 18 | 75/65 | 10 |
| | MGB63-45 | 35-45 | 63 | 18 | 75/65 | 10 |
| PG7 | PGB7S-3 | 1-3 | 12.5 | 8 | 17/15 | 50 |
| | PGB7S-6 | 3-6.5 | 12.5 | 8 | 17/15 | 50 |
| | PGB7-5 | 3-5.5 | 12.5 | 8 | 17/19 | 50 |
| PG9 | PGB9-5.5 | 3-5.5 | 15.2 | 8 | 22/19 | 50 |
| | PGB9-8 | 4-8 | 15.2 | 8 | 22/19 | 50 |
| | PGB11-7 | 3-7 | 18.6 | 10 | 24/22 | 50 |
| PG11 | PGB11-10 | 6-10 | 18.6 | 10 | 24/22 | 50 |
| | PGB11L-7 | 3-7 | 18.6 | 15 | 24/22 | 50 |
| | PGB11L-10 | 6-10 | 18.6 | 15 | 24/22 | 50 |
| PG13.5 | PGB13.5-9 | 5-9 | 20.4 | 10 | 27/24 | 50 |
| | PGB13.5-12.5 | 7-12.5 | 20.4 | 10 | 27/24 | 50 |
| PG16 | PGB16-11 | 5-11 | 22.5 | 10.8 | 30/27 | 50 |
| | PGB16-14 | 8-14 | 22.5 | 10.8 | 30/27 | 50 |
| PG19 | PGB19-11 | 5-11 | 24 | 11 | 30/27 | 50 |
| | PGB19-14 | 8-14 | 24 | 11 | 30/27 | 50 |
| PG21 | PGB21-13 | 7-13 | 28.3 | 12 | 36/33 | 50 |
| | PGB21-18 | 12-18 | 28.3 | 12 | 36/33 | 50 |

尼龙电缆防水接头 (B型连体)

◆ 德制牙(PG) / 英制牙(G) / 美制牙(NPT)

规格灵活可定制
免费样品提供

| 螺牙规格 | 型号 | 电缆范围 Ø(mm) | 螺纹外径 C1(mm) | 螺纹长度 C2(mm) | 扳手径 A&F(mm) | 包装(PCS) |
|-------------|---------------|---------------|----------------|----------------|----------------|---------|
| PG25 | PGB25-20 | 14-20 | 30 | 13 | 36/37 | 50 |
| PG29 | PGB29-17.5 | 13-17.5 | 37 | 12 | 46/41 | 20 |
| | PGB29-25 | 17-25 | 37 | 12 | 46/41 | 20 |
| PG36 | PGB36-25.5 | 17-25.5 | 47 | 15 | 57/52 | 10 |
| | PGB36-31 | 24-32 | 47 | 15 | 57/52 | 10 |
| PG42 | PGB42-32 | 25-32 | 54 | 15 | 64/62 | 10 |
| | PGB42-41 | 31-41 | 54 | 15 | 64/62 | 10 |
| PG48 | PGB48-38 | 29-38 | 59.3 | 18.2 | 70/65 | 10 |
| | PGB48-45 | 39-45 | 59.3 | 18.2 | 70/65 | 10 |
| G(PF)1/4" | GB1/4-5 | 3-5.5 | 13.157 | 8.5 | 19/19 | 50 |
| | GB1/4-8 | 4-8 | 13.157 | 8.5 | 19/19 | 50 |
| G(PF)3/8" | GB3/8-7 | 3-7 | 16.662 | 10 | 22/22 | 50 |
| | GB3/8-10 | 5-10 | 16.662 | 10 | 22/22 | 50 |
| G(PF)1/2" | GB1/2-9 | 5-9 | 20.955 | 10 | 27/24 | 50 |
| | GB1/2-12.5 | 6-12.5 | 20.955 | 10 | 27/24 | 50 |
| G(PF)3/4" | GB3/4-13 | 7-13 | 26.441 | 12 | 36/33 | 50 |
| | GB3/4-18 | 13-18 | 26.441 | 12 | 36/33 | 50 |
| G(PF)1" | GB1-17.5 | 13-17.5 | 33.249 | 15 | 46/41 | 20 |
| | GB1-25 | 17-25 | 33.249 | 15 | 46/41 | 20 |
| G(PF)1 1/4" | GB1 1/4-25.5 | 17-25.5 | 41.91 | 15 | 57/52 | 10 |
| | GB1 1/4-31 | 24-31 | 41.91 | 15 | 57/52 | 10 |
| G(PF)1 1/2" | GB1 1/2-32 | 25-32 | 48 | 16 | 60/62 | 10 |
| | GB1 1/2-41 | 30-41 | 48 | 16 | 60/62 | 10 |
| NPT1/4" | NPTB1/4-5.5 | 3-5.5 | 13.157 | 8.5 | 19 | 50 |
| | NPTB1/4-8 | 4-8 | 13.157 | 8.5 | 19 | 50 |
| NPT3/8" | NPTB3/8-7 | 3-7 | 16.662 | 10 | 22 | 50 |
| | NPTB3/8-10 | 6-10 | 16.662 | 10 | 22 | 50 |
| NPT1/2" | NPTB1/2-9 | 4-9 | 20.955 | 10 | 24 | 50 |
| | NPTB1/2-13 | 6-12.5 | 20.955 | 10 | 24 | 50 |
| NPT3/4" | NPTB3/4-13 | 7-13 | 26.441 | 15 | 33 | 50 |
| | NPTB3/4-18 | 12-18 | 26.441 | 15 | 33 | 50 |
| NPT1" | NPTB1-17.5 | 13-17.5 | 33.249 | 15 | 41 | 20 |
| | NPTB1-25 | 17-25 | 33.249 | 15 | 41 | 20 |
| NPT1 1/4" | NPT1 1/4-25.5 | 17-25.5 | 41.91 | 15 | 52 | 20 |
| | NPT1 1/4-31 | 24-31 | 41.91 | 15 | 52 | 20 |

品基电子



追求卓越品质 90度尼龙电缆防水接头



技术参数

- ◆ **螺牙规格:** 公制牙 (Metric) , PG牙, G(PF)牙。(螺牙可定制)
- ◆ **产品材质:** A、C、F部分采用UL认可之尼龙PA66制成 (防火等级UL94V-2).可定制UL认可防火94V-0尼龙PA66材料。B、D部分采用三元乙丙 (EPDM) 耐候橡胶制成, 可定制耐寒耐高温、耐化学等橡胶。
- ◆ **防水等级:** IP68-10。 ◆ **颜色:** 黑色、灰色, 其他颜色可定制。
- ◆ **工作温度:** 静态-40°C至100°C, 或瞬间可耐热至120°C。动态-20°C至80°C, 或瞬间可耐热至100°C。
- ◆ **产品特性:** 特殊设计的夹紧圈与夹紧爪, 迫紧螺帽带松紧扣, 夹紧电缆范围大, 抗拉力强, 可防水, 防尘, 抗盐, 耐弱酸, 酒精, 油, 油脂及一般溶剂。
- ◆ **Thread:** Metric, PG, G(PF)
- ◆ **Materials:** UL approved Nylon PA66(Flammability UL94V-2) for A.C.F parts,customizable UL accredited fireproof 94V-0 nylon PA66 materials,EPDM for B,D parts,can customize other rubber.
- ◆ **Protection degree:** IP68-10
- ◆ **Working temperature:** -40°C to 100°C,in state instaneous heat resistance up to 120 °C. -20°C to 80°Cin dynamic state Instantaneous heat resistance up to 100°C.
- ◆ **Features:** The claws and seals of excellent design.Sealing nut have a "click" sound and re-open, can hold cable firmly and have a wider cable range.Resistant to salt water,weak acid,alcohol,oil, grease and common solvency.

电缆接头分解示意图



90度尼龙电缆防水接头

◆ 公制牙(Metric) / 德制牙(PG) / 英制牙(G)

规格灵活可定制
免费样品提供

| 螺牙规格 Thread | 规格 Sizes | 适用电缆 Cable | 螺纹外径 Thread O.D C1 | 螺纹长度 Thread Length C2 | 扳手径 Spanner Size A\$F | 包装 Std.Pkg.Pcs |
|----------------|----------------|---------------|--------------------------|-----------------------------|-----------------------------|-------------------|
| M16*1.5 | MGA16-E-06 | 4-7 | 16 | 15 | 22/22 | 50 |
| | MGA16-E-08 | 5-8 | 16 | 15 | 22/22 | 50 |
| | MGA16-E-10 | 6-10 | 16 | 15 | 22/22 | 50 |
| M20*1.5 | MGA20-E-10 | 6-10 | 20 | 15 | 27/27 | 50 |
| | MGA20-E-14 | 8-14 | 20 | 15 | 27/27 | 50 |
| M25*1.5 | MGA25-E-16 | 12-16 | 25 | 15 | 33/39 | 50 |
| | MGA25-E-18 | 14-18 | 25 | 15 | 33/39 | 50 |
| M32*1.5 | MGA32-E-22 | 16-22 | 32 | 15 | 41/45 | 50 |
| | MGA32-E-25 | 18-25 | 32 | 15 | 41/45 | 50 |
| M40*1.5 | MGA40-E-28 | 20-28 | 40 | 20 | 50/55 | 50 |
| | MGA40-E-32 | 23-32 | 40 | 20 | 50/55 | 50 |
| PG16 | PGA16-E-10 | 6-10 | 22.5 | 12 | 30/27 | 50 |
| | PGA16-E-14 | 8-14 | 22.5 | 12 | 30/27 | 50 |
| G(PF)1/2 | G(PF)1/2-E-10 | 6-10 | 20.955 | 12 | 27/27 | 50 |
| | G(PF)1/2-E-14 | 8-14 | 20.955 | 12 | 27/27 | 50 |
| G(PF)3/4 | G(PF)3/4-E-16 | 12-16 | 26.441 | 15 | 33/39 | 50 |
| | G(PF)3/4-E-18 | 14-18 | 26.441 | 15 | 33/39 | 50 |
| G(PF)1 | G(PF)1-E-22 | 16-22 | 33.249 | 15 | 42/45 | 50 |
| | G(PF)1-E-25 | 18-25 | 33.249 | 15 | 42/45 | 50 |
| G(PF)1 1/4 | G(PF)11/4-E-28 | 20-28 | 41.91 | 20 | 53/55 | 50 |
| | G(PF)11/4-E-32 | 23-32 | 41.91 | 20 | 53/55 | 50 |

追求卓越品质 耐扭式尼龙电缆接头



技术参数

- ◆ **螺牙规格:** 公制牙 (Metric) , PG牙, G(PF)牙及NPT牙。(螺牙可定制)
- ◆ **产品材质:** A、C、E、F部分采用UL认可之尼龙PA66制成 (防火等级UL94V-2), 可定制UL认可防火94V-0尼龙PA66材料。B、D部分采用三元乙丙 (EPDM) 耐候橡胶制成, 可定制耐寒耐高温、耐化学等橡胶。
- ◆ **防水等级:** IP68-10。 ◆ **颜色:** 黑色、灰色, 其他颜色可定制。
- ◆ **工作温度:** 静态-40°C至100°C, 或瞬间可耐热至120°C。动态-20°C至80°C, 或瞬间可耐热至100°C。
- ◆ **产品特性:** 特殊设计的夹紧圈与夹紧爪, 迫紧螺帽带松紧扣, 夹紧电缆范围大, 抗拉力强, 可防水, 防尘, 抗盐, 耐弱酸, 酒精, 油, 油脂及一般溶剂。
- ◆ **Thread:** Metric,PG,G(PF)and NPT
- ◆ **Materials:** UL approved Nylon PA66(Flammability UL94V-2) for A.C.E.F parts,customizable UL accredited fireproof 94V-0 nylon PA66 materials,EPDM for B,D parts,can customize other rubber.
- ◆ **Protection degree:**IP68-10
- ◆ **Working temperature:** -40°C to 100°C,in state instaneous heat resistance up to 120 °C. -20°C to 80°Cin dynamic state Instanta neous heat resistance up to 100°C.
- ◆ **Features:** The claws and seals of excellent design.Sealing nut have a "click" sound and re-open, can hold cable firmly and have a wider cable range.Resistant to salt water,weak acid,alcohol,oil, grease and common solvency.

电缆接头 分解示意图



耐扭式尼龙电缆接头 (A型分体)

◆ 公制牙(Metric) / 德制牙(PG)

规格灵活可定制
免费样品提供

| 螺牙规格 Thread | 规格 Sizes | 电缆范围 Cable Range Φ(mm) | 螺纹外径 Thread O.D.(mm) | 螺纹长度 Thread Length(mm) | 扳手径 Spanner Size A/F(mm) | 包装 Std.Pkg (pcs) |
|----------------|----------------|------------------------------|----------------------------|------------------------------|--------------------------------|------------------------|
| M12*1.5 | M12A-P-5 | 2-5 | 12 | 8.5 | 18/19 | 50 |
| | M12A-P-7 | 4-7 | 12 | 8.5 | 18/19 | 50 |
| M16*1.5 | M16AS-P-8 | 4-8 | 16 | 10 | 22/19 | 50 |
| | M16ASL-P-8 | 4-8 | 16 | 15 | 22/19 | 50 |
| | M16A-P-7 | 4-7 | 16 | 10 | 22/22 | 50 |
| | M16A-P-10 | 6-10 | 16 | 10 | 22/22 | 50 |
| | M16AL-P-7 | 4-7 | 16 | 15 | 22/22 | 50 |
| | M16AL-P-10 | 6-10 | 16 | 15 | 22/22 | 50 |
| M20*1.5 | M20AS-P-9 | 5-9 | 20 | 10 | 27/24 | 50 |
| | M20AS-P-12 | 6-12.5 | 20 | 10 | 27/24 | 50 |
| | M20A-P-11 | 5-11 | 20 | 11 | 27/27 | 50 |
| | M20A-P-113.5 | 8-13.5 | 20 | 11 | 27/27 | 50 |
| | M20AL-P-11 | 5-11 | 20 | 15 | 27/27 | 50 |
| | M20AL-P-13.5 | 8-13.5 | 20 | 15 | 27/27 | 50 |
| M22*1.5 | M22AL-P-11 | 7-11 | 22 | 10 | 29/27 | 50 |
| | M22AL-P-14 | 9-14 | 22 | 10 | 29/27 | 50 |
| M25*1.5 | M25A-P-16 | 10-16 | 25 | 11.6 | 33/33 | 50 |
| | M25A-P-18 | 13-18 | 25 | 11.6 | 33/33 | 50 |
| | M25AL-P-16 | 10-16 | 25 | 15 | 33/33 | 50 |
| | M25AL-P-18 | 13-18 | 25 | 15 | 33/33 | 50 |
| PG7 | PG7A-P-6 | 3-6 | 12.5 | 8 | 17/15 | 50 |
| | PG7A-P-8 | 4-7 | 12.5 | 8 | 17/19 | 50 |
| PG9 | PG9A-P-5.5 | 3-5.5 | 15.2 | 8.2 | 22/19 | 50 |
| | PG9A-P-7.5 | 4-7.5 | 16.2 | 8.2 | 22/19 | 50 |
| PG11 | PG11A-P-7 | 3-7 | 18.6 | 10 | 24/22 | 50 |
| | PG11A-P-10 | 6-10 | 18.6 | 10 | 24/22 | 50 |
| PG13.5 | PG13.5A-P-9 | 5-9 | 20.4 | 10 | 27/24 | 50 |
| | PG13.5A-P-12.5 | 6-12.5 | 20.4 | 10 | 27/24 | 50 |
| PG16 | PG16A-P-11 | 5-11 | 22.5 | 10.8 | 30/27 | 50 |
| | PG16A-P-14 | 8-14 | 22.5 | 10.8 | 30/27 | 50 |
| PG21 | PG21A-P-15.5 | 10-15.5 | 28.3 | 12 | 36/33 | 50 |
| | PG21A-P-17.5 | 13-18 | 28.3 | 12 | 36/33 | 50 |

耐扭式尼龙电缆接头 (A型分体)

◆ 英制牙(G)

规格灵活可定制
免费样品提供

| 螺牙规格 Thread | 规格 Sizes | 电缆范围 Cable Range Φ(mm) | 螺纹外径 Thread O.D.(mm) | 螺纹长度 Thread Length(mm) | 扳手径 Spanner Size A/F(mm) | 包装 Std.Pkg (pcs) |
|----------------|--------------|------------------------------|----------------------------|------------------------------|--------------------------------|------------------------|
| G(PF)1/4" | G1/4A-P-5 | 3-5.5 | 13.157 | 8.5 | 19/19 | 50 |
| G(PF)1/4" | G1/4A-P-8 | 4-8 | 13.157 | 8.5 | 19/19 | 50 |
| G(PF)3/8" | G3/8A-P-7 | 3-7 | 16.7 | 10 | 22/22 | 50 |
| | G3/8A-P-10 | 6-10 | 16.7 | 10 | 22/22 | 50 |
| G(PF)1/2" | G1/2A-P-9 | 4-9 | 20.5 | 10 | 27/24 | 50 |
| | G1/2A-P-12.5 | 6-12.5 | 20.5 | 10 | 27/24 | 50 |
| G(PF)3/4" | G3/4A-P-16 | 8-16 | 26.4 | 12 | 33/27 | 50 |
| | G3/4A-P-18 | 13-18 | 26.4 | 12 | 33/27 | 50 |

耐扭式尼龙电缆接头 (B型连体)

◆ 公制牙(Metric)

规格灵活可定制
免费样品提供

| 螺牙规格 Thread | 规格 Sizes | 电缆范围 Cable Range Φ(mm) | 螺纹外径 Thread O.D.(mm) | 螺纹长度 Thread Length(mm) | 扳手径 Spanner Size A/F(mm) | 包装 Std.Pkg (pcs) |
|----------------|-------------|------------------------------|----------------------------|------------------------------|--------------------------------|------------------------|
| M12*1.5 | M12S-P-6 | 3-6 | 12 | 8.5 | 18/15 | 50 |
| | M12SL-P-6 | 3-6 | 12 | 15 | 18/15 | 50 |
| | M12-P-5 | 2-5 | 12 | 8.5 | 18/19 | 50 |
| | M12-P-7 | 4-7 | 12 | 8.5 | 18/19 | 50 |
| | M12L-P-5 | 2-5 | 12 | 15 | 18/19 | 50 |
| | M12L-P-7 | 4-7 | 12 | 15 | 18/19 | 50 |
| M16*1.5 | M16S-P-8 | 4-8 | 16 | 10 | 22/19 | 50 |
| | M16SL-P-8 | 4-8 | 16 | 15 | 22/19 | 50 |
| | M16-P-7 | 4-7 | 16 | 10 | 22/22 | 50 |
| | M16-P-10 | 6-10 | 16 | 10 | 22/22 | 50 |
| | M16L-P-7 | 4-7 | 16 | 15 | 22/22 | 50 |
| M18*1.5 | M16L-P-10 | 6-10 | 16 | 15 | 22/22 | 50 |
| | M18-P-7 | 4-7 | 18 | 10 | 24/22 | 50 |
| | M18-P-10 | 6-10 | 18 | 10 | 24/22 | 50 |
| | M18L-P-7 | 4-7 | 18 | 15 | 24/22 | 50 |
| M20*1.5 | M18L-P-10 | 6-10 | 18 | 15 | 24/22 | 50 |
| | M20S-P-9 | 5-9 | 20 | 10 | 27/24 | 50 |
| | M20S-P-12 | 6-12.5 | 20 | 10 | 27/24 | 50 |
| | M20SL-P-9 | 5-9 | 20 | 15 | 27/24 | 50 |
| | M20SL-P-12 | 6-12.5 | 20 | 15 | 27/24 | 50 |
| | M20-P-11 | 5-11 | 20 | 11 | 27/27 | 50 |

耐扭式尼龙电缆接头 (B型连体)

◆ 公制牙(Metric) / 德制牙(G) / 英制牙(G) / 美制牙(NPT)

规格灵活可定制
免费样品提供

| 螺牙规格 Thread | 规格 Sizes | 电缆范围 Cable Range Φ(mm) | 螺纹外径 Thread O.D.(mm) | 螺纹长度 Thread Length(mm) | 扳手径 Spanner Size A/F(mm) | 包装 Std.Pkg (pcs) |
|----------------|---------------|------------------------------|----------------------------|------------------------------|--------------------------------|------------------------|
| M20*1.5 | M20-P-13.5 | 8-13.5 | 20 | 11 | 27/27 | 50 |
| | M20L-P-11 | 5-11 | 20 | 15 | 27/27 | 50 |
| | M20L-P-13.5 | 8-13.5 | 20 | 15 | 27/27 | 50 |
| M25*1.5 | M25S-P-11 | 5-11 | 25 | 11.6 | 33/27 | 50 |
| | M25S-P-13.5 | 8-13.5 | 25 | 11.6 | 33/27 | 50 |
| | M25-P-16 | 10-16 | 25 | 11.6 | 33/33 | 50 |
| | M25-P-18 | 13-18 | 25 | 11.6 | 33/33 | 50 |
| | M25L-P-16 | 10-16 | 25 | 15 | 33/33 | 50 |
| PG7 | M25L-P-18 | 13-18 | 25 | 15 | 33/33 | 50 |
| | PG7S-P-6 | 3-6 | 12.5 | 8 | 17/15 | 50 |
| | PG7-P-5 | 3-5.5 | 12.5 | 8 | 17/19 | 50 |
| PG9 | PG7-P-7 | 4-7 | 12.5 | 8 | 17/19 | 50 |
| | PG9-P-5.5 | 3-5.5 | 15.2 | 8.2 | 22/19 | 50 |
| PG11 | PG9-P-7.5 | 4-7.5 | 16.2 | 8.2 | 22/19 | 50 |
| | PG11-P-7 | 3-7 | 18.6 | 10 | 24/22 | 50 |
| | PG11-P-10 | 6-10 | 18.6 | 10 | 24/22 | 50 |
| PG13.5 | PG11L-P-7 | 3-7 | 18.6 | 15 | 24/22 | 50 |
| | PG11L-P-10 | 6-10 | 18.6 | 15 | 24/22 | 50 |
| PG16 | PG13.5-P-9 | 5-9 | 20.4 | 10 | 27/24 | 50 |
| | PG13.5-P-12.5 | 6-12.5 | 20.4 | 10 | 27/24 | 50 |
| PG19 | PG16-P-11 | 5-11 | 22.5 | 10.8 | 30/27 | 50 |
| | PG16-P-14 | 8-14 | 22.5 | 10.8 | 30/27 | 50 |
| PG21 | PG19-P-11 | 5-11 | 24 | 10.8 | 30/27 | 50 |
| | PG19-P-14 | 8-14 | 24 | 10.8 | 30/27 | 50 |
| G(PF)3/8" | PG21-P-15.5 | 8-15.5 | 28.3 | 12 | 36/33 | 50 |
| | PG21-P-17.5 | 13-18 | 28.3 | 12 | 36/33 | 50 |
| G(PG)3/4" | G3/8-P-7 | 3-7 | 16.7 | 10 | 22/22 | 50 |
| | G3/8-P-10 | 6-10 | 16.7 | 10 | 22/22 | 50 |
| NPT1/2" | G3/4-P-16 | 8-16 | 26.4 | 12 | 33/27 | 50 |
| | G3/4-P-18 | 10-18 | 26.4 | 12 | 33/27 | 50 |
| NPT3/4" | NPT1/2-P-9 | 5-9 | 24 | 10 | 24 | 50 |
| | NPT1/2-P-13 | 7-13 | 24 | 10 | 24 | 50 |
| | NPT3/4-P-16 | 8-16 | 26.5 | 15 | 33 | 50 |
| | NPT3/4-P-18 | 13-18 | 26.5 | 15 | 33 | 50 |



技术参数

- ◆ **螺牙规格:** 公制牙 (Metric), PG牙, G(PF)牙及NPT牙。(螺牙可定制)
- ◆ **产品材质:** A、C、E、F部分采用UL认可之尼龙PA66制成 (防火等级UL94V-2), 可定制UL认可防火94V-0尼龙PA66材料。B、D部分采用三元乙丙 (EPDM) 耐候橡胶制成; 可定制耐寒耐高温、耐化学等橡胶。
- ◆ **防水等级:** IP68-10。◆ **颜色:** 黑色、灰色, 其他颜色可定制。
- ◆ **工作温度:** 静态-40°C至100°C, 或瞬间可耐热至120°C。动态-20°C至80°C, 或瞬间可耐热至100°C。
- ◆ **产品特性:** 特殊设计的夹紧圈与夹紧爪, 追紧螺帽带松紧扣, 夹紧电缆范围大, 抗拉力强, 可防水, 防尘, 抗盐, 耐弱酸, 酒精, 油, 油脂及一般溶剂。
- ◆ **Thread:** Metric, PG, G(PF) and NPT
- ◆ **Materials:** UL approved Nylon PA66 (Flammability UL94V-2) for A, C, E, F parts, customizable UL accredited fireproof 94V-0 nylon PA66 materials, EPDM for B, D parts, can customize other rubber.
- ◆ **Protection degree:** IP68-10
- ◆ **Working temperature:** -40°C to 100°C, in state instantaneous heat resistance up to 120°C, -20°C to 80°C in dynamic state Instantaneous heat resistance up to 100°C.
- ◆ **Features:** The claws and seals of excellent design. Sealing nut have a "click" sound and re-open, can hold cable firmly and have a wider cable range. Resistant to salt water, weak acid, alcohol, oil, grease and common solvency.



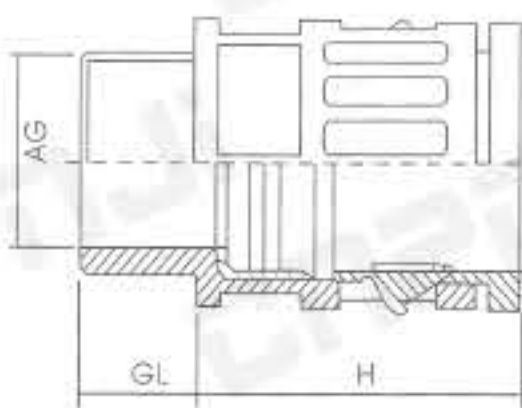
| 螺牙规格 Thread | 规格 Sizes | 电缆范围 Cable Range Φ(mm) | 螺纹外径 Thread O.D.(mm) | 螺纹长度 Thread Length(mm) | 扳手径 Spanner Size A/F(mm) | 包装 Std.Pkg (pcs) |
|----------------|-------------|------------------------------|----------------------------|------------------------------|--------------------------------|------------------------|
| M16*1.5 | M16A-P-7 | 4-7 | 16 | 10 | 22/22 | 50 |
| | M16A-P-10 | 6-10 | 16 | 10 | 22/22 | 50 |
| M20*1.5 | M20A-P-11 | 5-11 | 20 | 15 | 27/27 | 50 |
| | M20A-P-13.5 | 8-13.5 | 20 | 15 | 27/27 | 50 |
| M25*1.5 | M25A-P-16 | 10-16 | 25 | 15 | 33/33 | 20 |
| | M25A-P-18 | 13-18 | 25 | 15 | 33/33 | 20 |

追求卓越品质 尼龙快速接头



技术参数

- ◆ **螺牙规格:** 公制牙 (Metric) , PG牙, G(PF)牙。(螺牙可定制)
- ◆ **产品材质:** 采用UL认可之尼龙PA66制成 (防火等级UL94V-2), 可定制UL认可防火94V-0尼龙PA66材料。
- ◆ **防水等级:** IP68-10。
- ◆ **工作温度:** 静态-40°C至100°C, 或瞬间可耐热至120°C。动态-20°C至80°C, 或瞬间可耐热至100°C。
- ◆ **产品特性:** 特殊夹紧爪之设计, 夹紧浪管抗拉力强, 超快速拔插装卸, 提高安装效率。
- ◆ **颜色:** 黑色, 灰色, 其他颜色可定制。
- ◆ **Thread:** Metric, PG, G(PF)
- ◆ **Materials:** UL approved Nylon PA66(Flammability UL94V-2) ,customizable UL accredited fireproof 94V-0 nylon PA66 materials.
- ◆ **Protection degree:** IP68-10
- ◆ **Working temperature:** -40°C to 100°C, in state instaneous heat resistance up to 120 °C. -20°C to 80°C in dynamic state Instantaneous heat resistance up to 100°C.
- ◆ **Features:** Special clamping claw design, clamping wave tube strong tensile force, super fast plugged handling, improve installation efficiency.



电缆接头
分解示意图

尼龙快速接头

◆ 公制牙(Metric) / 德制牙(PG)

规格灵活可定制
免费样品提供

| 螺牙规格 Thread | 规格 Sizes | 软管型号 Type | 浪管规格 Sizes | 螺纹外径 Thread O.D.(mm) | 螺纹长度 Thread Length(mm) | 包装 Std.Pkg pcs |
|----------------|---------------|--------------|---------------|----------------------------|------------------------------|----------------------|
| M12*1.5 | M12-AD10 | AD10.0 | 1/4"管 | 12 | 10 | 50 |
| | M12-AD13 | AD13.0 | 5/16"管 | 12 | 10 | 50 |
| M16*1.5 | M16-AD13 | AD13.0 | 5/16"管 | 16 | 10 | 50 |
| | M16-AD15.8 | AD15.8 | 3/8"管 | 16 | 10 | 50 |
| M18*1.5 | M18-AD13 | AD13.0 | 5/16"管 | 18 | 12.5 | 50 |
| | M18AD15.8 | AD15.8 | 3/8"管 | 18 | 12.5 | 50 |
| M20*1.5 | M20-AD15.8 | AD15.8 | 3/8"管 | 20 | 10 | 50 |
| | M20-AD18.5 | AD18.5 | 3/8"管 | 20 | 15 | 50 |
| | M20-AD21.2 | AD21.2 | 1/2"管 | 20 | 10 | 50 |
| M22*1.5 | M20-AD18.5 | AD18.5 | 3/8"管 | 22 | 10 | 50 |
| M24*1.5 | M24-AD21.2 | AD21.2 | 1/2"管 | 24 | 13 | 50 |
| | M25-AD21.2 | AD21.2 | 1/2"管 | 25 | 13 | 50 |
| M25*1.5 | M25-AD25.0 | AD25 | 3/4"管 | 25 | 13 | 50 |
| | M25-AD28.5 | AD28.5 | 3/4"管 | 25 | 13 | 50 |
| M27*1.5 | M27-AD28.5 | AD28.5 | 3/4"管 | 27 | 13 | 50 |
| M32*1.5 | M32-AD28.5 | AD28.5 | 3/4"管 | 32 | 13 | 50 |
| | M32-AD34.5 | AD34.5 | 1"管 | 32 | 14 | 50 |
| M36*1.5 | M36-AD34.5 | AD34.5 | 1"管 | 36 | 14 | 50 |
| M40*1.5 | M40-AD34.5 | AD34.5 | 1"管 | 40 | 15 | 50 |
| | M40-AD42.5 | AD42.5 | 1 1/4"管 | 40 | 15 | 50 |
| M48*1.5 | M48-AD42.5 | AD42.5 | 1 1/4"管 | 48 | 15 | 50 |
| M50*1.5 | M50-AD54.5 | AD54.5 | 2"管 | 50 | 16 | 50 |
| M63*1.5 | M63-AD54.5 | AD54.5 | 2"管 | 63 | 16 | 50 |
| PG7 | PG7-AD10.0 | AD10 | 1/4"管 | 12.5 | 8.5 | 50 |
| PG9 | PG9-AD13.0 | AD13.0 | 5/16"管 | 15.2 | 10 | 50 |
| PG11 | PG11-AD15.8 | AD15.8 | 3/8"管 | 18.6 | 12.5 | 50 |
| PG13.5 | PG13.5-AD15.8 | AD15.8 | 3/8"管 | 20.4 | 12.5 | 50 |
| | PG13.5-AD18.5 | AD18.5 | 3/8"管 | 20.4 | 12.5 | 50 |
| PG16 | PG16-AD21.2 | AD21.2 | 1/2"管 | 22.5 | 13 | 50 |
| | PG21-AD25.0 | AD25.0 | 3/4"管 | 28.3 | 13 | 50 |
| PG21 | PG21-AD28.5 | AD28.5 | 3/4"管 | 28.3 | 13 | 20 |
| | PG29-AD34.5 | AD34.5 | 1"管 | 37 | 14 | 10 |
| PG36 | GP36-AD42.5 | AD42.5 | 1 1/4"管 | 47 | 15 | 10 |
| PG42 | PG42-AD42.5 | AD42.5 | 1 1/4"管 | 54 | 16 | 10 |
| PG48 | PG48-AD54.5 | AD54.5 | 2"管 | 59.3 | 16 | 10 |

尼龙快速接头

◆ 英制牙(G)

规格灵活可定制
免费样品提供

| 螺牙规格 Thread | 规格 Sizes | 软管型号 Type | 浪管规格 Sizes | 螺纹外径 Thread O.D.(mm) | 螺纹长度 Thread Length(mm) | 包装 Std.Pkg pcs |
|----------------|--------------------|--------------|---------------|----------------------------|------------------------------|----------------------|
| G(PF)1/4" | G(PF)1/4"-AD10 | AD10.0 | 1/4"管 | 13.1 | 8.5 | 50 |
| G(PF)3/8" | G(PF)3/8"-AD13 | AD13.0 | 5/16"管 | 16.6 | 10 | 50 |
| G(PF)3/8" | G(PF)3/8"-AD15.8 | AD15.8 | 3/8"管 | 16.6 | 12.5 | 50 |
| G(PF)1/2" | G(PF)1/2"-AD15.8 | AD15.8 | 3/8"管 | 20.9 | 12.5 | 50 |
| G(PF)1/2" | G(PF)1/2"-AD18.5 | AD18.5 | 3/8"管 | 20.9 | 12.5 | 50 |
| G(PF)1/2" | G(PF)1/2"-AD21.2 | AD21.2 | 1/2"管 | 20.9 | 13 | 50 |
| G(PF)3/4" | G(PF)3/4"-AD21.2 | AD21.2 | 1/2"管 | 26.4 | 13 | 50 |
| G(PF)3/4" | G(PF)3/4"-AD25 | AD25.0 | 3/4"管 | 26.4 | 13 | 50 |
| G(PF)3/4" | G(PF)3/4"-AD28.5 | AD28.5 | 3/4"管 | 26.4 | 13 | 50 |
| G(PF)1" | G(PF)1"-AD34.5 | AD34.5 | 1"管 | 33.2 | 14 | 50 |
| G(PF)1 1/4" | G(PF)1 1/4"-AD42.5 | AD42.5 | 1 1/4"管 | 41.9 | 15 | 50 |
| G(PF)1 1/2" | G(PF)1 1/2"-AD42.5 | AD42.5 | 1 1/4"管 | 48 | 16 | 50 |
| G(PF)2" | G(PF)2"-AD54.5 | AD54.5 | 2"管 | 60 | 16 | 50 |

品基电子



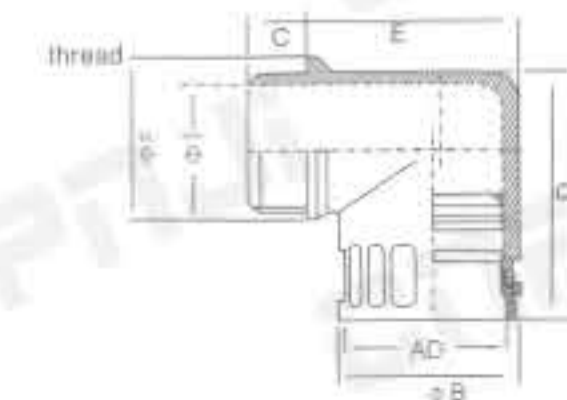
追求卓越品质 90度尼龙快速接头



技术参数

- ◆ **螺牙规格:** 公制牙 (Metric) , PG牙, G(PF)牙。(螺牙可定制)
- ◆ **产品材质:** 采用UL认可之尼龙PA66制成 (防火等级UL94V-2), 可定制UL认可防火94V-0尼龙PA66材料。
- ◆ **防水等级:** IP68-10。
- ◆ **工作温度:** 静态-40°C至100°C, 或瞬间可耐热至120°C。动态-20°C至80°C, 或瞬间可耐热至100°C。
- ◆ **产品特性:** 特殊夹紧爪之设计, 夹紧浪管抗拉力强, 超快速拔插装卸, 提高安装效率。
- ◆ **颜色:** 黑色, 其他颜色可定制。
- ◆ **Thread:** Metric, PG, G(PF)
- ◆ **Materials:** UL approved Nylon PA66(Flammability UL94V-2) ,customizable UL accredited fireproof 94V-0 nylon PA66 materials.
- ◆ **Protection degree:** IP68-10
- ◆ **Working temperature:** -40°C to 100°C, in state instantaneous heat resistance up to 120 °C. -20°C to 80°C in dynamic state Instantaneous heat resistance up to 100°C.
- ◆ **Features:** Special clamping claw design, clamping wave tube strong tensile force, super fast plugged handling, improve installation efficiency.

电缆接头 分解示意图



90度尼龙快速接头

◆ 公制牙(Metric) / 德制牙(PG)

规格灵活可定制
免费样品提供

| 螺牙规格 Thread | 规格 Sizes | 软管型号 Type | 浪管规格 Sizes | 螺纹外径 Thread O.D C1 | 螺纹长度 Thread Length C2 | 包装 Std.Pkg Pcs |
|----------------|---------------|--------------|---------------|--------------------------|-----------------------------|----------------------|
| M12*1.5 | M12-AD10 | AD10.0 | 1/4"管 | 12 | 8.5 | 50 |
| | M12-AD13 | AD13.0 | 5/16"管 | 12 | 10 | 50 |
| M16*1.5 | M16-AD13 | AD13.0 | 5/16"管 | 16 | 10 | 50 |
| | M16-AD15.8 | AD15.8 | 3/8"管 | 16 | 10 | 50 |
| M20*1.5 | M20-AD15.8 | AD15.8 | 3/8"管 | 20 | 10 | 50 |
| | M20-AD18.5 | AD18.5 | 3/8"管 | 20 | 15 | 50 |
| M20*1.5 | M20-AD21.2 | AD21.2 | 1/2"管 | 20 | 10 | 50 |
| | M24-AD21.2 | AD21.2 | 1/2"管 | 24 | 13 | 50 |
| M25*1.5 | M25-AD21.2 | AD21.2 | 1/2"管 | 25 | 13 | 50 |
| | M25-AD25.0 | AD25 | 3/4"管 | 25 | 13 | 50 |
| M25*1.5 | M25-AD28.5 | AD28.5 | 3/4"管 | 25 | 13 | 50 |
| | M27-AD28.5 | AD28.5 | 3/4"管 | 27 | 13 | 50 |
| M30*1.5 | M30-AD28.5 | AD28.5 | 3/4"管 | 30 | 13 | 50 |
| M32*1.5 | M32-AD28.5 | AD28.5 | 3/4"管 | 32 | 13 | 50 |
| | M32-AD34.5 | AD34.5 | 1"管 | 32 | 14 | 50 |
| M36*1.5 | M36-AD34.5 | AD34.5 | 1"管 | 36 | 14 | 50 |
| M40*1.5 | M40-AD34.5 | AD34.5 | 1"管 | 40 | 15 | 50 |
| | M40-AD42.5 | AD42.5 | 1 1/4"管 | 40 | 15 | 50 |
| M48*1.5 | M48-AD42.5 | AD42.5 | 1 1/4"管 | 48 | 15 | 50 |
| M50*1.5 | M50-AD54.5 | AD54.5 | 2"管 | 50 | 16 | 50 |
| M63*1.5 | M63-AD54.5 | AD54.5 | 2"管 | 63 | 16 | 50 |
| PG7 | PG7-AD10.0 | AD10 | 1/4"管 | 12.5 | 8.5 | 50 |
| PG9 | PG9-AD13.0 | AD13.0 | 5/16"管 | 15.2 | 10 | 50 |
| PG11 | PG11-AD15.8 | AD15.8 | 3/8"管 | 18.6 | 12.5 | 50 |
| PG13.5 | PG13.5-AD18.5 | AD18.5 | 3/8"管 | 20.4 | 12.5 | 50 |
| PG16 | PG16-AD21.2 | AD21.2 | 1/2"管 | 22.5 | 13 | 50 |
| PG21 | PG21-AD25.0 | AD25.0 | 3/4"管 | 28.3 | 13 | 50 |
| PG21 | PG21-AD28.5 | AD28.5 | 3/4"管 | 28.3 | 13 | 50 |
| PG29 | PG29-AD34.5 | AD34.5 | 1"管 | 37 | 14 | 50 |
| PG36 | GP36-AD42.5 | AD42.5 | 1 1/4"管 | 47 | 15 | 50 |
| PG42 | PG42-AD54.5 | AD54.5 | 2"管 | 54 | 16 | 50 |
| PG48 | PG48-AD54.5 | AD54.5 | 2"管 | 59.3 | 16 | 50 |

90度快速接头

◆ 英制牙(G)

规格灵活可定制
免费样品提供

| 螺牙规格 Thread | 规格 Sizes | 软管型号 Type | 浪管规格 Sizes | 螺纹外径 Thread O.D C1 | 螺纹长度 Thread Length C2 | 包装 Std.Pkg Pcs |
|----------------|------------------------|--------------|---------------|--------------------------|-----------------------------|----------------------|
| G(PF)1/4" | G(PF)1/4"- AD10 | AD10.0 | 1/4"管 | 13.1 | 8.5 | 50 |
| G(PF)3/8" | G(PF)3/8"- AD13 | AD13.0 | 5/16"管 | 16.6 | 10 | 50 |
| G(PF)1/2" | G(PF)1/2"- AD15.8 | AD18.5 | 3/8"管 | 20.9 | 12.5 | 50 |
| G(PF)1/2" | G(PF)1/2"- AD18.5 | AD21.2 | 1/2"管 | 20.9 | 13 | 50 |
| G(PF)1/2" | G(PF)1/2"- AD21.2 | AD21.2 | 1/2"管 | 20.9 | 13 | 50 |
| G(PF)3/4" | G(PF)3/4"- AD25 | AD25.0 | 3/4"管 | 26.4 | 13 | 50 |
| G(PF)3/4" | G(PF)3/4"- AD28.5 | AD28.5 | 3/4"管 | 26.4 | 13 | 50 |
| G(PF)1" | G(PF)1"- AD34.5 | AD34.5 | 1"管 | 33.2 | 14 | 50 |
| G(PF)1 1/14" | G(PF)1 1/14"- | AD42.5 | 1 1/4"管 | 41.9 | 15 | 50 |
| G(PF)1 1/2" | G(PF)1 1/2"- AD54.5 | AD42.5 | 1 1/4"管 | 48 | 16 | 50 |
| G(PF)2" | G(PF)2"- AD54.5 | AD54.5 | 2"管 | 60 | 16 | 50 |

追求卓越品质 专业打造浪管防水接头



技术参数

- ◆ **螺牙规格:** 公制牙 (Metric) , PG牙, G牙, 符合欧盟规范。
- ◆ **产品材质:** A、C、F部分采用UL认可之尼龙PA66制成 (防火等级UL94V-2), 可定制UL认可防火94V-0尼龙PA66材料。B、D部分采用三元乙丙 (EPDM) 耐候橡胶制成, 可定制耐寒耐高温、耐化学等橡胶。
- ◆ **防水等级:** IP68-10。 ◆ **颜色:** 黑色、灰色, 其他颜色可定制。
- ◆ **工作温度:** 静态-40°C至100°C, 或瞬间可耐热至120°C。动态-20°C至80°C, 或瞬间可耐热至100°C。
- ◆ **产品特性:** 特殊设计的夹紧圈与夹紧爪, 迫紧螺帽带松紧扣, 夹紧电缆范围大, 抗拉力强, 可防水, 防尘, 抗盐, 耐弱酸, 酒精, 油, 油脂及一般溶剂。
- ◆ **Thread:** Metric, PG.
- ◆ **Materials:** UL approved Nylon PA66(Flammability UL94V-2) for A,C,F parts,customizable UL accredited fireproof 94V-0 nylon PA66 materials,EPDM for B,D parts,can customize other rubber.
- ◆ **Protection degree:** IP68-10
- ◆ **Working temperature:** -40°C to 100°C,in state instaneous heat resistance up to 120 °C. -20°C to 80°Cin dynamic state Instantaneous heat resistance up to 100°C.
- ◆ **Features:** The claws and seals of excellent design.Sealing nut have a "click" sound and re-open, can hold cable firmly and have a wider cable range.Resistant to salt water,weak acid,alcohol,oil, grease and common solvency.

电缆接头 分解示意图

MGQ/PGQ

MGN



浪管防水接头

◆ 公制牙(Metric)

规格灵活可定制
免费样品提供

| 螺牙规格 Thread | 规格 Sizes | 软管型号 Type | 浪管规格 Sizes | 螺纹外径 Thread O.D.(mm) | 螺纹长度 Thread Length(mm) | 包装 Std.Pkg pcs |
|----------------|---------------|--------------|---------------|----------------------------|------------------------------|----------------------|
| M12*1.5 | M12-AD10 | AD10.0 | 1/4"管 | 12 | 8 | 50 |
| | M16-AD13-ST | AD13.0 | 5/16"管 | 16 | 10 | 50 |
| | M16-AD13 | AD13.0 | 5/16"管 | 16 | 15 | 50 |
| M16*1.5 | M16-AD15.8-ST | 15.8 | 3/8"管 | 16 | 10 | 50 |
| | M16-AD15.8 | 15.8 | 3/8"管 | 16 | 15 | 50 |
| | M16-AD18.5-ST | 18.5 | 3/8"管 | 16 | 10 | 50 |
| | M16-AD18.5 | 18.5 | 3/8"管 | 16 | 15 | 50 |
| | M20-AD15.8-ST | 15.8 | 3/8"管 | 20 | 10 | 50 |
| M20*1.5 | M20-AD15.8 | 15.8 | 3/8"管 | 20 | 15 | 50 |
| | M20-AD18.5-ST | 18.5 | 3/8"管 | 20 | 10 | 50 |
| | M20-AD18.5 | 18.5 | 3/8"管 | 20 | 15 | 50 |
| | M20-AD21.2-ST | 21.2 | 1/2"管 | 20 | 10 | 50 |
| | M20-AD21.2 | 21.2 | 1/2"管 | 20 | 15 | 50 |
| M25*1.5 | M25-AD21.2-ST | 21.2 | 1/2"管 | 25 | 12 | 50 |
| | M25-AD21.2 | 21.2 | 1/2"管 | 25 | 15 | 50 |
| | M25-AD25.0-ST | 25 | 3/4"管 | 25 | 12 | 50 |
| | M25-AD25.0 | 25 | 3/4"管 | 25 | 15 | 50 |
| | M25-AD28.5-ST | 28.5 | 3/4"管 | 25 | 12 | 50 |
| M32*1.5 | M32-AD34.5-ST | 34.5 | 1"管 | 32 | 12 | 50 |
| | M32-AD34.5 | 34.5 | 1"管 | 32 | 15 | 50 |
| M40*1.5 | M40-AD42.5 | 42.5 | 1 1/4"管 | 40 | 15 | 50 |
| M50*1.5 | M50-AD42.5 | 42.5 | 1 1/4"管 | 50 | 22 | 50 |
| | M50-AD54.5 | 54.5 | 2"管 | 40 | 22 | 50 |
| M63*1.5 | M63-AD54.5 | 54.5 | 2"管 | 63 | 25 | 50 |

浪管防水接头

◆ 德制牙(PG) / 英制牙(G)

规格灵活可定制
免费样品提供

| 螺牙规格 Thread | 规格 Sizes | 软管型号 Type | 浪管规格 Sizes | 螺纹外径 Thread O.D.(mm) | 螺纹长度 Thread Length(mm) | 包装 Std.Pkg pcs |
|----------------|---------------|--------------|---------------|----------------------------|------------------------------|----------------------|
| PG7 | PG7-AD10.0 | AD10 | 1/4"管 | 12.5 | 8 | 50 |
| PG9 | PG9-AD10.0 | AD10 | 1/4"管 | 15.2 | 8 | 50 |
| PG11 | PG11-AD13.0 | AD13.0 | 5/16"管 | 18.6 | 10 | 50 |
| PG13.5 | PG13.5-AD15.8 | AD15.8 | 3/8"管 | 20.4 | 10 | 50 |
| | PG13.5-AD18.5 | AD18.5 | 3/8"管 | 20.4 | 10 | 50 |
| PG16 | PG16-AD15.8 | AD15.8 | 3/8"管 | 22.5 | 11 | 50 |
| | PG16-AD18.5 | AD18.5 | 3/8"管 | 22.5 | 11 | 50 |
| | PG16-AD21.2 | AD21.2 | 1/2"管 | 22.5 | 11 | 50 |
| PG21 | PG21-AD21.2 | AD21.2 | 1/2"管 | 28.3 | 12 | 50 |
| | PG21-AD25.0 | AD25.0 | 3/4"管 | 28.3 | 12 | 50 |
| PG21 | PG21-AD28.5 | AD28.5 | 3/4"管 | 28.3 | 12 | 50 |
| | PG29 | PG29-AD34.5 | AD34.5 | 1"管 | 37 | 13 |
| PG36 | GP36-AD42.5 | AD42.5 | 1 1/4"管 | 47 | 13 | 50 |
| PG42 | PG42-AD42.5 | AD42.5 | 1 1/4"管 | 54 | 16 | 50 |
| PG48 | PG48-AD54.5 | AD54.5 | 2"管 | 59.3 | 16 | 50 |
| | | | | | | |
| G(PF)1/4" | PF1/4-AD10.0 | AD10.0 | 1/4"管 | 13.1 | 9 | 50 |
| G(PF)3/8" | PF3/8-AD13.0 | AD13.0 | 5/16"管 | 16.6 | 15 | 50 |
| | PF1/2-AD15.8 | AD15.8 | 3/8"管 | 20.9 | 15 | 50 |
| G(PF)1/2" | PF1/2-AD18.5 | AD18.5 | 3/8"管 | 20.9 | 15 | 50 |
| | PF1/2-AD21.2 | AD21.2 | 1/2"管 | 20.9 | 15 | 50 |
| | PF1/2-AD25.0 | AD25.0 | 3/4"管 | 20.9 | 15 | 50 |
| G(PF)3/4" | PF3/4-AD21.2 | AD21.2 | 1/2"管 | 26.4 | 15 | 50 |
| | PF3/4-AD25.0 | AD25.0 | 3/4"管 | 26.4 | 15 | 50 |
| G(PF)3/4" | PF3/4-AD28.5 | AD28.5 | 3/4"管 | 26.4 | 15 | 50 |
| | G(PF)1" | PF1-AD34.5 | AD34.5 | 1"管 | 33.2 | 15 |
| G(PF)1 1/4" | PF11/4-AD42.5 | AD42.5 | 1 1/4"管 | 41.9 | 15 | 50 |
| G(PF)1 1/2" | PF11/2-AD54.5 | AD54.5 | 2"管 | 48 | 15 | 50 |
| G(PF)2" | PF2-AD54.6 | AD54.5 | 2"管 | 60 | 15 | 50 |

品基电子



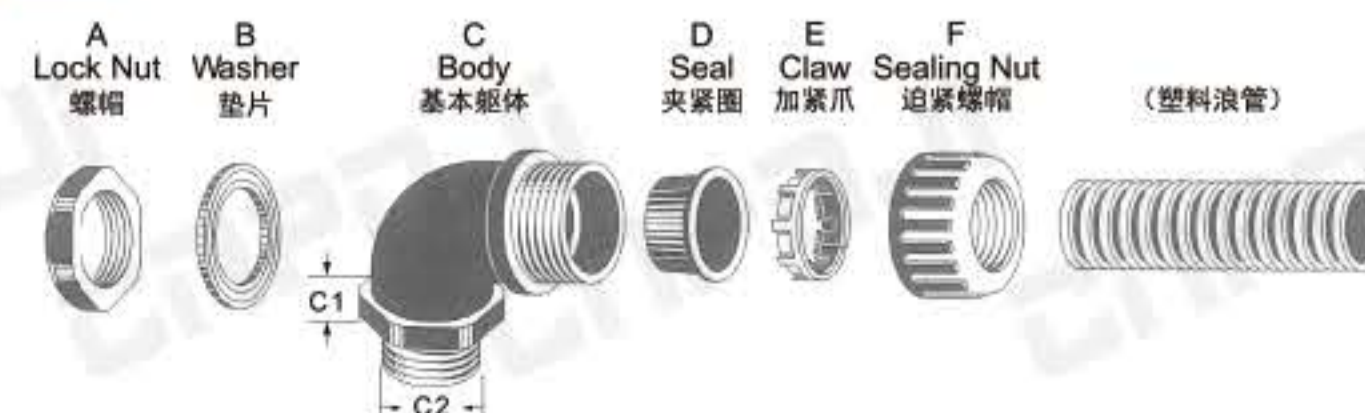
追求卓越品质 90度浪管防水接头



技术参数

- ◆ **螺牙规格:** 公制牙 (Metric) , PG牙, 符合欧盟规范。
- ◆ **产品材质:** A、C、F部分采用UL认可之尼龙PA66制成 (防火等级UL94V-2), 可定制UL认可防火94V-0尼龙PA66材料。B、D部分采用三元乙丙 (EPDM) 耐候橡胶制成, 可定制耐寒耐高温、耐化学等橡胶。
- ◆ **防水等级:** IP68-10。 ◆ **颜色:** 黑色、灰色, 其他颜色可定制。
- ◆ **工作温度:** 静态-40°C至100°C, 或瞬间可耐热至120°C。动态-20°C至80°C, 或瞬间可耐热至100°C。
- ◆ **产品特性:** 本款设计超高拉力90度的弯角型的浪管盒接头能依制定的出线角度固定浪管, 并大大地减低弯曲所需的空间, 还能防止浪管过度弯曲所造成的破损或寿命缩短, 以及能保护电缆的弯曲部位。
- ◆ **Thread:** Metric, PG.
- ◆ **Materials:** UL approved Nylon PA66(Flammability UL94V-2) for A.C.F parts,customizable UL accredited fireproof 94V-0 nylon PA66 materials,EPDM for B,D parts,can customize other rubber.
- ◆ **Protection degree:** IP68-10
- ◆ **Working temperature:** -40°C to 100°C,in state instaneous heat resistance up to 120 °C. -20°C to 80°Cin dynamic state Instantaneous heat resistance up to 100°C.
- ◆ **Features:** This section is designed to provide a 90 degree angle shaped wave tube box joint to fix the wave tube in accordance with the set out angle and greatly reduce the space required for bending. It can also prevent the breakage or life shortening caused by excessive bending of the wave tube, and protect the bending parts of the cable.

电缆接头 分解示意图



90度浪管防水接头

◆ 公制牙(Metric) / 德制牙(PG)

规格灵活可定制
免费样品提供

| 螺牙规格 Thread | 规格 Sizes | 软管型号 Type | 浪管规格 Sizes | 螺纹外径 Thread O.D.(mm) | 螺纹长度 Thread Length(mm) | 包装 Std.Pkg pcs |
|----------------|----------------|--------------|---------------|----------------------------|------------------------------|----------------------|
| M12*1.5 | MW12-E-AD10 | AD10.0 | 1/4"管 | 12 | 12 | 50 |
| | MW16-E-AD13 | AD13.0 | 5/16"管 | 16 | 15 | 50 |
| M16*1.5 | MW16-E-AD15.8 | 15.8 | 3/8"管 | 16 | 15 | 50 |
| | MW16-E-AD18.5 | 18.5 | 3/8"管 | 16 | 15 | 50 |
| M20-1.5 | MW20-E-AD15.8 | 15.8 | 3/8"管 | 20 | 15 | 50 |
| | MW20-E-AD18.5 | 18.5 | 3/8"管 | 20 | 15 | 50 |
| | MW20-E-AD21.2 | 21.2 | 1/2"管 | 20 | 15 | 50 |
| M25*1.5 | MW25-E-AD21.2 | 21.2 | 1/2"管 | 25 | 15 | 50 |
| | MW25-E-AD25.0 | 25 | 3/4"管 | 25 | 15 | 50 |
| M25*1.5 | MW25-E-AD28.5 | 28.5 | 3/4"管 | 25 | 15 | 50 |
| | MW32-E-AD34.5 | 34.5 | 1"管 | 32 | 15 | 50 |
| M40*1.5 | MW40-E-AD42.5 | 42.5 | 1 1/4"管 | 40 | 15 | 50 |
| M50*1.5 | MW50-E-AD54.5 | 54.5 | 2"管 | 40 | 22 | 50 |
| M63*1.5 | MW63-E-AD54.5 | 54.5 | 2"管 | 63 | 25 | 50 |
| PG16 | PGW16-E-AD15.8 | AD15.8 | 3/8"管 | 22.5 | 11 | 50 |
| | PGW16-E-AD18.5 | AD18.5 | 3/8"管 | 22.5 | 11 | 50 |

追求卓越品质 尼龙多孔防水接头



技术参数

- ◆ **螺牙规格:** 公制牙 (Metric) , PG牙, 符合欧盟规范。
- ◆ **产品材质:** A、C、E、F部分采用UL认可之尼龙PA66制成 (防火等级UL94V-2), 可定制UL认可防火94V-0尼龙PA66材料。B、D部分采用三元乙丙 (EPDM) 耐候橡胶制成, 可定制耐寒耐高温、耐化学等橡胶。
- ◆ **防水等级:** IP68-10。 ◆ **颜色:** 黑色、灰色, 其他颜色可定制。
- ◆ **工作温度:** 静态-40°C至100°C, 或瞬间可耐热至120°C。动态-20°C至80°C, 或瞬间可耐热至100°C。
- ◆ **产品特性:** 特殊设计的夹紧圈与夹紧爪, 迫紧螺帽带松紧扣, 夹紧电缆范围大, 抗拉力强, 可防水, 防尘, 抗盐, 耐弱酸, 酒精, 油, 油脂及一般溶剂。
- ◆ **Thread:** Metric, PG.
- ◆ **Materials:** UL approved Nylon PA66(Flammability UL94V-2) for A,C,E,F parts,customizable UL accredited fireproof 94V-0 nylon PA66 materials,EPDM for B,D parts,can customize other rubber.
- ◆ **Protection degree:** IP68-10
- ◆ **Working temperature:** -40°C to 100°C,in state instaneous heat resistance up to 120 °C. -20°C to 80°Cin dynamic state Instantaneous heat resistance up to 100°C.
- ◆ **Features:** The claws and seals of excellent design.Sealing nut have a "click" sound and re-open, can hold cable firmly and have a wider cable range.Resistant to salt water,weak acid,alcohol,oil, grease and common solvency.




电缆接头 分解示意图



尼龙多孔电缆接头

◆ 公制牙(Metric) / 德制牙(G)






规格灵活可定制
免费样品提供

| 多孔规格 Spec | 型号 Type | 电缆范围 Ø(mm) | 螺纹外径 C1(mm) | 螺纹长度 C2(mm) | 扳手径 A&F(mm) | 包装 PCS | |
|---|---|---------------|----------------|----------------|----------------|-----------|----|
| | MGA12-H2-03 | 1.2-3 | 12 | 8 | 18/19 | 50 | |
| | MGA16-H2-04 | 1.5-4 | 16 | 15 | 22/22 | 50 | |
| | MGA20-H2-06 | 3-6 | 20 | 15 | 27/27 | 50 | |
|  | MGA25-H2-6.5 | 3-6.5 | 25 | 15 | 33/33 | 50 | |
| | MGA25-H2-08 | 4-8 | 25 | 15 | 33/33 | 50 | |
| | MGA25-H2-09 | 5-9 | 25 | 15 | 33/33 | 50 | |
| | MGA32-H2-10 | 6-10 | 32 | 15 | 41/42 | 20 | |
| | MGA32-H2-11.5 | 7.5-11.5 | 32 | 15 | 41/42 | 20 | |
| | MGA40-H2-13 | 7-13 | 40 | 20 | 50/52 | 10 | |
| | MGA63-H2-17 | 12-17 | 63 | 25 | 75/75 | 10 | |
| |  | PGA7-H2-03 | 1.2-3 | 12.5 | 8.5 | 17/19 | 50 |
| | | PGA9-H2-03 | 1.2-3 | 15.2 | 8.5 | 22/19 | 50 |
| PGA11-H2-04 | | 1.5-4 | 18.6 | 10 | 24/22 | 50 | |
| PGA13.5-H2-05 | | 2.5-5 | 20.4 | 10 | 27/24 | 50 | |
| PGA16-H2-06 | | 3-6 | 22.5 | 10.8 | 30/27 | 50 | |
| PGA21-H2-6.5 | | 3-6.5 | 28.3 | 12 | 36/33 | 50 | |
| PGA21-H2-08 | | 4-8 | 28.3 | 12 | 36/33 | 50 | |
| PGA21-H2-08 | | 5-9 | 28.3 | 12 | 36/33 | 50 | |
| PGA29-H2-10 | | 6-10 | 37 | 12 | 46/41 | 20 | |
| PGA29-H2-11.5 | | 7.5-11.5 | 37 | 12 | 46/41 | 20 | |
| PGA36-H2-13 | | 7-13 | 47 | 14 | 57/52 | 10 | |
| PGA48-H2-17 | | 12-17 | 59.3 | 18.2 | 70/75 | 10 | |
|  | MGA12-H3-2.6 | 1-2.6 | 12 | 8.5 | 18/19 | 50 | |
| | MGA16-H3-04 | 1.5-4 | 16 | 15 | 22/22 | 50 | |
| | MGA20S-H3-05 | 2-5 | 20 | 10 | 24/24 | 50 | |
| | MGA20-H3-05 | 2-5 | 20 | 15 | 27/27 | 50 | |
| | MGA22-H3-05 | 2-5 | 22 | 10 | 27/27 | 50 | |
| | MGA25-H3-05 | 2-5 | 25 | 15 | 33/33 | 50 | |
| | MGA25-H3-08 | 4-8 | 25 | 15 | 33/33 | 50 | |
| | MGA32-H3-10 | 6-10 | 32 | 15 | 41/42 | 20 | |
| | MGA40-H3-11 | 7-11 | 40 | 20 | 50/52 | 10 | |
| | MGA50-H3-12 | 7-12 | 50 | 22 | 62/62 | 10 | |
| | MGA63-H3-13 | 8-13 | 63 | 25 | 75/75 | 10 | |

尼龙多孔电缆接头

◆ 公牙(Metric) / 德制(PG)

规格灵活可定制
免费样品提供

| 多孔规格 Spec | 型号 Type | 电缆范围 Ø(mm) | 螺纹外径 C1(mm) | 螺纹长度 C2(mm) | 扳手径 A&F(mm) | 包装 PCS | |
|---|---|---------------|----------------|----------------|----------------|-----------|----|
|  | PGA7-H3-2.6 | 1-2.6 | 12.5 | 8.5 | 17/19 | 50 | |
| | PGA9-H3-2.6 | 1-2.6 | 15.2 | 8.5 | 22/19 | 50 | |
| | PGA11-H3-04 | 1.5-4 | 18.6 | 10 | 24/22 | 50 | |
| | PGA13.5-H3-05 | 2-5 | 20.4 | 10 | 27/24 | 50 | |
| | PGA16-H3-05 | 2-5 | 22.5 | 10.8 | 30/27 | 50 | |
| | PGA21-H3-05 | 2-5 | 28.3 | 12 | 36/33 | 50 | |
| | PGA21-H3-08 | 4-8 | 28.3 | 12 | 36/33 | 50 | |
| | PGA29-H3-10 | 6-10 | 37 | 12 | 46/41 | 20 | |
| | PGA36-H3-11 | 7-11 | 47 | 14 | 57/52 | 10 | |
| | PGA42-H3-12 | 7-12 | 54 | 15 | 64/62 | 10 | |
| | PGA48-H3-13 | 8-13 | 59.3 | 18 | 70/65 | 10 | |
|  | MGA12-H4-2.3 | 1-2.3 | 12 | 8.5 | 18/19 | 50 | |
| | MGA16-H4-3.2 | 1-3.2 | 16 | 15 | 22/22 | 50 | |
| | MGA20S-H4-04 | 1.5-4 | 20 | 10 | 24/24 | 50 | |
| | MGA20-H4-2.5 | 1-2.5 | 20 | 15 | 27/27 | 50 | |
| | MGA20-H4-3.5 | 1-3.5 | 20 | 15 | 27/27 | 50 | |
| | MGA20-H4-4.5 | 2-4.5 | 20 | 15 | 27/27 | 50 | |
| | MGA22-H4-2.5 | 1-2.5 | 22 | 15 | 27/27 | 50 | |
| | MGA22-H4-3.5 | 1-3.5 | 22 | 15 | 27/27 | 50 | |
| | MGA22-H4-4.5 | 2-4.5 | 22 | 15 | 27/27 | 50 | |
| | MGA25-H4-05 | 2-5 | 25 | 15 | 33/33 | 50 | |
| | MGA25-H4-06 | 3-6 | 25 | 15 | 33/33 | 50 | |
| | MGA25-H4-07 | 3-7 | 25 | 15 | 33/33 | 50 | |
| | MGA25-H4-08 | 4-8 | 25 | 15 | 33/33 | 50 | |
| MGA25-H4-09 | 5-9 | 25 | 15 | 33/33 | 50 | | |
|  | MGA32-H4-07 | 3-7 | 32 | 15 | 41/42 | 20 | |
| | MGA32-H4-09 | 5-9 | 32 | 15 | 41/42 | 20 | |
| | MGA40-H4-11 | 7-11 | 40 | 20 | 50/52 | 10 | |
| | MGA40-H4-12 | 8-12 | 40 | 20 | 50/52 | 10 | |
| | MGA25-H7-4.3 | 2-4.3 | 25 | 15 | 33/33 | 50 | |
| | PGA21-H7-4.3 | 2-4.3 | 28.3 | 12 | 36/33 | 50 | |
| |  | MGA25-H8-04 | 1.5-4 | 25 | 15 | 33/33 | 50 |
| | | PGA21-H8-04 | 1.5-4 | 28.3 | 12 | 36/33 | 50 |
| |  | MGA10-0306 | 03*06 | 10 | 8 | 15/13 | 50 |
| | | MGA25-0614 | 06*14 | 25 | 15 | 33/33 | 50 |
| | MGA32-0519 | 05*19 | 32 | 15 | 41/42 | 20 | |

尼龙多孔电缆接头

◆ 公制牙(Metric) / 德制牙(PG)

规格灵活可定制
免费样品提供

| 多孔规格 Spec | 型号 Type | 电缆范围 Ø(mm) | 螺纹外径 C1(mm) | 螺纹长度 C2(mm) | 扳手径 A&F(mm) | 包装 PCS |
|--------------|---------------|---------------|----------------|----------------|----------------|-----------|
| | PGA7-H4-2.3 | 1-2.3 | 12.5 | 8.5 | 17/19 | 50 |
| | PGA9-H4-2.3 | 1-2.3 | 15.2 | 8.5 | 22/19 | 50 |
| | PGA11-H4-3.2 | 1-3.2 | 18.6 | 10 | 24/22 | 50 |
| | PGA13.5-H4-04 | 1.5-4 | 20.4 | 10 | 27/24 | 50 |
| | PGA16-H4-2.5 | 1-2.5 | 22.5 | 10.8 | 30/27 | 50 |
| | PGA16-H4-3.5 | 1-3.5 | 22.5 | 10.8 | 30/27 | 50 |
| | PGA16-H4-4.5 | 2-4.5 | 22.5 | 10.8 | 30/27 | 50 |
| ● | PGA21-H4-05 | 2-5 | 28.3 | 12 | 36/33 | 50 |
| | PGA21-H4-06 | 3-6 | 28.3 | 12 | 36/33 | 50 |
| | PGA21-H4-07 | 3-7 | 28.3 | 12 | 36/33 | 50 |
| | PGA21-H4-08 | 4-8 | 28.3 | 12 | 36/33 | 50 |
| | PGA21-H4-09 | 5-9 | 28.3 | 12 | 36/33 | 50 |
| | PGA29-H4-07 | 3-7 | 37 | 12 | 46/41 | 20 |
| | PGA29-H4-09 | 5-9 | 37 | 12 | 46/41 | 20 |
| | PGA36-H4-11 | 7-11 | 47 | 14 | 57/52 | 10 |
| | PGA36-H4-12 | 8-12 | 47 | 14 | 57/52 | 10 |
| ● | MGA20-H5-03 | 1-3 | 20 | 15 | 27/27 | 50 |
| | MGA22-H5-03 | 1-3 | 22 | 10 | 27/27 | 50 |
| | MGA25-H5-06 | 3-6 | 25 | 15 | 33/33 | 50 |
| | MGA32-H5-08 | 4-8 | 32 | 15 | 41/42 | 20 |
| | PGA16-H5-03 | 1-3 | 22.5 | 11 | 30/27 | 50 |
| | PGA21-H5-06 | 3-6 | 28.3 | 12 | 36/33 | 50 |
| | PGA29-H5-08 | 4-8 | 37 | 12 | 46/41 | 20 |
| ● | MGA16A-H6-2.1 | 1-2.1 | 16 | 15 | 22/22 | 50 |
| | MGA25A-H6-5.3 | 2-5.3 | 25 | 15 | 33/33 | 50 |
| | MGA32A-H6-5.5 | 2-5.5 | 32 | 15 | 41/42 | 20 |
| | MGA32A-H6-07 | 3-7 | 32 | 15 | 41/42 | 20 |
| | MGA63A-H6-12 | 8-12 | 63 | 25 | 75/75 | 10 |
| | PGA11-H6-2.1 | 1-2.1 | 18.6 | 10 | 24/22 | 50 |
| | PGA21-H6-5.3 | 2-5.3 | 28.3 | 12 | 36/33 | 50 |
| | PGA29-H6-5.5 | 2-5.5 | 37 | 12 | 46/41 | 20 |
| | PGA29-H6-07 | 3-7 | 37 | 12 | 46/41 | 20 |
| | PGA48-H6-12 | 8-12 | 59.3 | 18 | 70/65 | 10 |

品基电子



追求卓越品质 对接式尼龙电缆接头

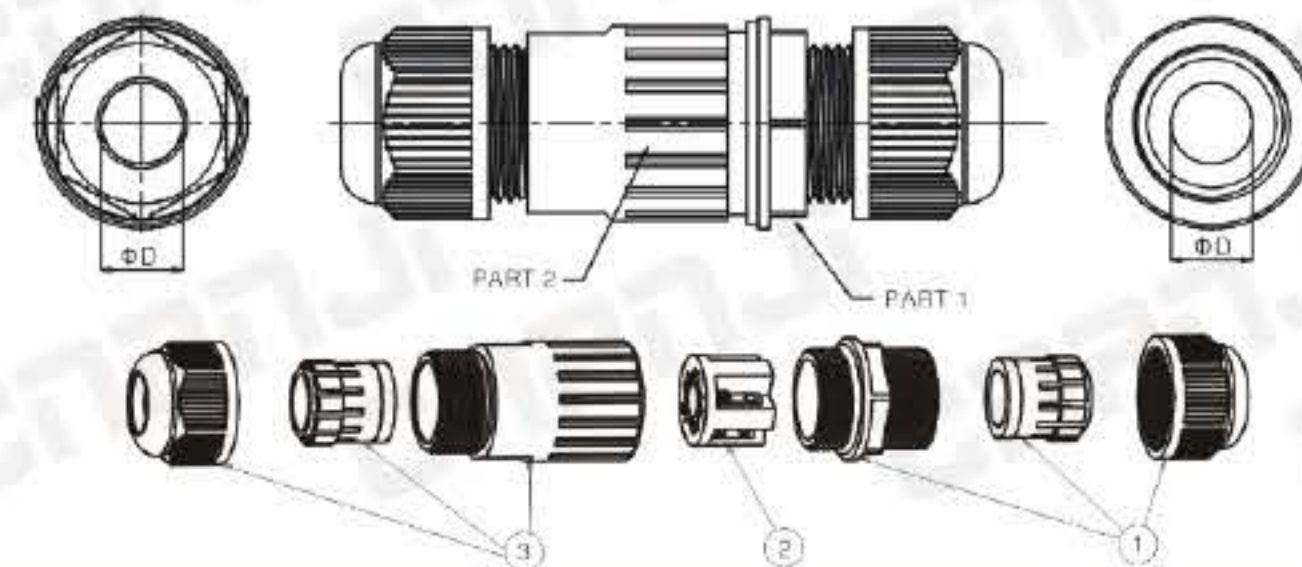


技术参数



- ◆ **螺牙规格:** 公制牙 (Metric) , PG牙, G(PF)牙及NPT牙。(螺牙可定制)
- ◆ **产品材质:** 采用UL认可之尼龙PA66制成 (防火等级UL94V-2), 可定制UL认可防火94V-0尼龙PA66材料。B、D部分采用三元乙丙 (EPDM) 耐候橡胶制成, 可定制耐寒耐高温、耐化学等橡胶。
- ◆ **防水等级:** IP68-10。
- ◆ **工作温度:** 静态-40°C至100°C, 或瞬间可耐热至120°C。动态-20°C至80°C, 或瞬间可耐热至100°C。
- ◆ **产品特性:** 广泛应用于LED灯线路组合, 能够从两端进行连接并提供灯具设计方案。
- ◆ **颜色:** 黑色、灰色, 其他颜色可定制。
- ◆ **Thread:** Metric, PG, G(PF) and NPT
- ◆ **Materials:** UL approved Nylon PA66(Flammability UL94V-2), customizable UL accredited fireproof 94V-0 nylon PA66 materials, EPDM for B, D parts, can customize other rubber.
- ◆ **Protection degree:** IP68-10
- ◆ **Working temperature:** -40°C to 100°C, in state instantaneous heat resistance up to 120 °C. -20°C to 80°C in dynamic state Instantaneous heat resistance up to 100°C.
- ◆ **Features:** Widely used in LED lamp line combination, can connect from both ends and provide lamp design scheme.

电缆接头 分解示意图



对接式尼龙电缆接头

◆ 公制牙(Metric) / 德制牙(PG)

规格灵活可定制
免费样品提供

| 型号 Type | 适用电缆 Cable | | 螺纹外径 Thread O.D (mm) | | 扳手径 Spanner Size | 包装 Std.Pkg. Pcs |
|------------|---------------|--------|----------------------------|--------|------------------------|-----------------------|
| | A Part | F Part | B Part | D Part | | |
| M20S-7 | 4-7 | 4-7 | 20 | 20 | 22/22/23 | 50 |
| M20S-11 | 6-11 | 6-11 | 20 | 20 | 22/22/23 | 50 |
| M20S-7-11 | 4-7 | 6-11 | 20 | 20 | 22/22/23 | 50 |
| M20-14 | 9-14 | 9-14 | 20 | 20 | 22/27/23 | 50 |
| M20-12 | 6-12 | 6-12 | 20 | 20 | 22/27/23 | 50 |
| M20-12-14 | 6-12 | 9-14 | 20 | 20 | 22/27/23 | 50 |
| M25-16 | 10-16 | 10-16 | 25 | 25 | 27/27/27 | 50 |
| M25-18 | 13-19 | 13-19 | 25 | 25 | 27/33/27 | 50 |
| M25-16-18 | 10-16 | 13-18 | 25 | 25 | 27/33/27 | 50 |
| PG9-5.5 | 3-5.5 | 3-5.5 | 15.2 | 15.2 | 19/19 | 50 |
| PG9-5.5 | 4-8 | 4-8 | 15.2 | 15.2 | 19/19 | 50 |

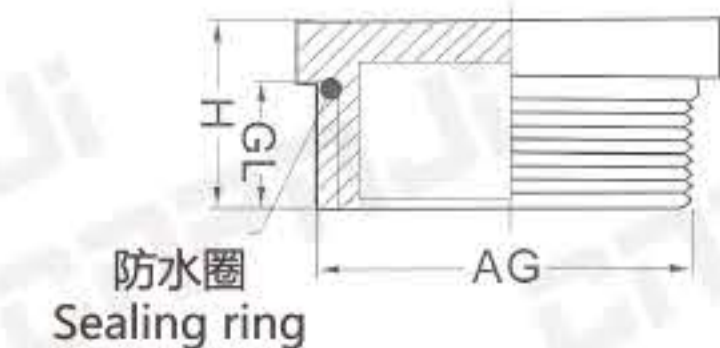
追求卓越品质 专业打造尼龙闷盖



技术参数

- ◆ **螺牙规格:** 公制牙 (Metric) , PG牙, 符合欧盟规范。
- ◆ **产品材质:** 采用UL认可之尼龙PA66制成 (防火等级UL94V-2), 可定制UL认可防火94V-0尼龙PA66材料。
- ◆ **防水等级:** IP68-10。
- ◆ **工作温度:** 静态-40°C至100°C, 或瞬间可耐热至120°C。动态-20°C至80°C, 或瞬间可耐热至100°C。
- ◆ **产品特性:** 不含卤素、磷、镉, 通过RoSH测试。
- ◆ **颜色:** 黑色, 灰白色, 其他颜色可定制。
- ◆ **Thread:** Metric, PG, G(PF)
- ◆ **Materials:** UL approved Nylon PA66(Flammability UL94V-2) ,customizable UL accredited fireproof 94V-0 nylon PA66 materials.
- ◆ **Protection degree:** IP68-10
- ◆ **Working temperature:** -40°C to 100°C, in state instantaneous heat resistance up to 120 °C. -20°C to 80°C in dynamic state Instantaneous heat resistance up to 100°C.
- ◆ **Features:** No halogen, phosphorus, cadmium, tested by RoSH.

电缆接头 分解示意图



尼龙闷盖

◆ 公制牙(Metric) / 德制牙(PG)

规格灵活可定制
免费样品提供

| 型号 Type | 螺纹外径 Thread O.D C1 | 螺纹长度 Thread Length C2 | 闷盖外径 O.D | 包装 Std.Pkg pcs |
|------------|--------------------------|-----------------------------|-------------|----------------------|
| PG7 | 12.5 | 9.5 | 16.5 | 50 |
| PG9 | 15.2 | 9.5 | 19.2 | 50 |
| PG11 | 18.6 | 10 | 22.6 | 50 |
| PG13.5 | 20.4 | 11 | 24.4 | 50 |
| PG16 | 22.5 | 11 | 26.5 | 50 |
| PG21 | 28.3 | 11 | 32.3 | 50 |
| PG29 | 37 | 12 | 33 | 50 |
| PG36 | 47 | 12 | 53 | 50 |
| PG42 | 54 | 12 | 60 | 50 |
| PG48 | 59.3 | 12 | 65.3 | 50 |
| M10*1.5 | 10 | 9.5 | 16 | 50 |
| M12*1.5 | 12 | 9.5 | 16 | 50 |
| M16*1.5 | 16 | 10 | 20 | 50 |
| M18*1.5 | 18 | 11 | 22 | 50 |
| M20*1.5 | 20 | 11 | 24 | 50 |
| M22*1.5 | 22 | 11 | 26 | 50 |
| M25*1.5 | 25 | 11 | 29 | 50 |
| M27*1.5 | 27 | 11 | 33 | 50 |
| M32*1.5 | 32 | 11 | 38 | 50 |
| M40*1.5 | 40 | 12 | 56 | 50 |
| M50*1.5 | 50 | 12 | 56 | 50 |
| M63*1.5 | 63 | 12 | 69 | 50 |

追求卓越品质
专业打造夹紧圈塞棒

技术参数

- ◆ 产品名称: 加紧圈塞棒
- ◆ 产品材质: 采用NBR/EPDM制成
- ◆ 安装方式: 接将塞棒安插在孔径中, 再迫紧螺帽即可
- ◆ 适用范围: 配合品基电缆固定头使用
- ◆ 颜色: 黑色
- ◆ 注: 特殊规格需要请联系工厂
- ◆ Name: EPDM Sealing Plugs
- ◆ Materials: NBR/EPDM
- ◆ Application: TO spare cable glands and multiple hole seals of cable glands against dust and for water-proof.
- ◆ Colours: Black
- ◆ Note: Special size and type, Please contact us



加紧圈塞棒

◆ 单孔塞棒

规格灵活可定制
免费样品提供

| 型号 Type | 外径 O.D. | | | 长度 Length C | 包装 Std.Pkg.Pcs |
|------------|------------|------|------|----------------|-------------------|
| | A | B | B1 | | |
| SPR-055A-B | 11 | 5.5 | 8.7 | 18 | 100 |
| SPR-055B-B | 9.6 | 5.5 | 7.1 | 18 | 100 |
| SPR-067-B | 9.5 | 6.7 | 7.2 | 18 | 100 |
| SPR-071-B | 13.2 | 7 | 10.7 | 18 | 100 |
| SPR-079-B | 11 | 7.9 | 8.7 | 18 | 100 |
| SPR-092-B | 15.5 | 9.2 | 12.7 | 18 | 100 |
| SPR-103-B | 13.5 | 10.3 | 10.7 | 18 | 100 |
| SPR-105-B | 17 | 10.5 | 14.3 | 18 | 100 |
| SPR-118-B | 17 | 11.8 | 14.3 | 18 | 100 |
| SPR-120-B | 15.5 | 12 | 12.7 | 18 | 100 |
| SPR-140-B | 17 | 14 | 14.4 | 18 | 50 |
| SPR-158-B | 22 | 15.8 | 19.3 | 18 | 50 |
| SPR-178-B | 22 | 17.8 | 19.3 | 18 | 50 |
| SPR-215-B | 28 | 21.5 | 25 | 18 | 50 |
| SPR-245-B | 28 | 24.5 | 25 | 20 | 10 |
| SPR-262-B | 35 | 26.2 | 33 | 20 | 10 |
| SPR-306-B | 36 | 30.6 | 33 | 20 | 10 |
| SPR-333-B | 45 | 33.3 | 43.1 | 20 | 10 |
| SPR-410-B | 46 | 51 | 43.1 | 20 | 10 |
| SPR-473-B | 53 | 47.3 | 51.6 | 20 | 10 |
| SPR-515-B | 54.5 | 51.5 | - | 20 | 10 |

加紧圈塞棒

◆ 多孔塞棒

规格灵活可定制
免费样品提供

| 型号 Type | 外径 O.D. | | | 长度 Length C | 包装 Std.Pkg.Pcs |
|------------|------------|-----|----|----------------|-------------------|
| | A | B | C | | |
| SPM-020-B | 3 | 2 | 15 | 15 | 100 |
| SPM-023-B | 3 | 2.3 | 15 | 15 | 100 |
| SPM-026-B | 3.6 | 2.6 | 15 | 15 | 100 |
| SPM-030-B | 4 | 3 | 15 | 15 | 100 |
| SPM0032-B | 4.2 | 3.2 | 15 | 15 | 100 |
| SPM-034-B | 4.4 | 3.4 | 15 | 15 | 100 |
| SPM-037-B | 4.7 | 3.7 | 15 | 15 | 100 |
| SPM-041-B | 5.1 | 4.1 | 15 | 15 | 100 |
| SPM-050-B | 6 | 5 | 15 | 15 | 100 |
| SPM-053-B | 6.3 | 5.3 | 15 | 15 | 100 |
| SPM-060-B | 7.5 | 6 | 15 | 15 | 100 |
| SPM-070-B | 8.5 | 7 | 15 | 15 | 100 |
| SPM-073-B | 8.5 | 7.3 | 15 | 15 | 100 |
| SPM-080-B | 9.5 | 8 | 15 | 15 | 100 |
| SPM-090-B | 10.5 | 9 | 15 | 15 | 100 |
| SPM-100-B | 11.5 | 10 | 15 | 15 | 100 |

追求卓越品质 专业打造尼龙透气阀



技术参数

- ◆ **产品名称:** 尼龙透气阀 ◆ **防水等级:** IP68-10
- ◆ **产品材质:** 尼龙PA66 ◆ **进水压力:** >5bar
- ◆ **工作温度:** 静态-50℃至120℃, 或瞬间可耐热至120℃。
- ◆ **产品特性:** 接触液体后迅速恢复透气, 高透气量能通过平衡压力降低机壳密封条的应用力, 憎水、憎油结构的防护薄膜嵌入在塑胶壳体中, 具有惰性、单一性、抗化学性以及抗紫外线的特点。
- ◆ **Influent pressure:** >5bar ◆ **Materials:** Nylon PA66 ◆ **Protection degree:** IP68-10
- ◆ **Working temperature:** -50℃ to 120℃, in state instaneous heat resistance up to 120 ℃.
- ◆ **Features:** The high permeable gas can reduce the application force of the sealing strip through the balance pressure. The protective film of the hydrophobic and oil repellent structure is embedded in the plastic shell, which has the characteristics of inertia, single, anti chemical and anti ultraviolet.

| 螺牙规格 Thread | 螺纹外径 (mm) | 防护等级 Protection degree | 透气量 Air permeability |
|----------------|--------------|---------------------------|-------------------------|
| M8*1.0 | 8 | IP65-68 | 150-350 |
| M10*1.0 | 10 | IP65-68 | 150-350 |
| M12*1.5 | 12 | IP65-68 | 150-350 |
| M16*1.5 | 16 | IP65-68 | 150-350 |
| M18*1.05 | 18 | IP65-68 | 150-350 |



To create high-quality cable wiring equipment
全力打造精品电缆配线器材