

# 追求卓越品质

## BW铠装电缆接头



### 技术参数

- ◆ **产品名称:** BW铠装电缆接头
- ◆ **产品材质:** 黄铜镀镍
- ◆ **执行标准:** BS6121-1-2005
- ◆ **工作应用:** BW工业用电缆密封接头铜质户内密封接头适用于各种型号的SWA电缆
- ◆ **产品功能:** 通过铠装电线来保持电缆电线的机械维系性和电力传输的延续性

- ◆ **Name:** BW Cable Gland
- ◆ **Materials:** Brass or Brass, nickel plated
- ◆ **Standard:** BS6121-1-2005
- ◆ **Application:** Dry indoor. For use with all types of SWA extruded Bending Cable
- ◆ **Function:** Provides mechanical cable retention & electrical continuity via armoured wire termination

## BW铠装电缆接头

### ◆ BW cable gland

规格灵活可定制  
免费样品提供

产品规格 Thread	螺纹规格 Sizes	螺纹长度 Thread	最小直径 Min (mm)	最大直径 Min (mm)	Across flatG (mm)	Across corners H (mm)
BW-0	M20	10	12.6	16	22	25
BW-1	M20	10	15.9	19	27	31
BW-2	M25	10	20.6	26.5	35	40
BW-3	M32	10	26.5	33	42	48
BW-4	M40	15	34.9	40.5	52	60
BW-5	M50	15	44.6	51	65	75
BW-6	M63	15	57	67	82	94
BW-7	M75	15	68	79.5	96	110
BW-8	M82	15	74	83	100	115
BW-9	M90	15	82	91	110	117
BW-10	M100	15	93	100	120	127



# 追求卓越品质 专业打造金属防水接头



## 技术参数

- ◆ **螺牙规格:** 公制牙 (Metric) , PG牙。(螺牙可定制)
- ◆ **产品材质:** F迫紧帽、C主体、A螺母以铜合金镀镍制成, 夹紧爪部分以UL认可之尼龙PA66制成 (防火等级UL 94V-2) 夹紧圈、O型圈部分采用丁青橡胶制成。
- ◆ **防水等级:** IP68-10。
- ◆ **工作温度:** 静态-40°C至100°C, 或瞬间可耐热至120°C。动态-20°C至80°C, 或瞬间可耐热至100°C。
- ◆ **产品特性:** 特殊设计的夹紧圈与夹紧爪, 迫紧螺帽带松紧扣, 夹紧电缆范围大, 抗拉力强, 可防水, 防尘, 抗盐, 耐弱酸, 酒精, 油, 油脂及一般溶剂。
- ◆ **Thread:** Metric, PG, G (PF)
- ◆ **Materials:** Brass with nickel plated for A.C.F parts, UL approved Nylon PA66 (Flammability UL94-2) for E part, EPDM rubber for B.D parts .
- ◆ **Protection degree:** IP68-10
- ◆ **Working temperature:** -40°C to 100°C, in state instantaneous heat resistance up to 120 °C. -20°C to 80°C in dynamic state Instantaneous heat resistance up to 100°C.
- ◆ **Features:** The claws and seals of excellent design. Sealing nut have a "click" sound and re-open, can hold cable firmly and have a wider cable range. Resistant to salt water, weak acid, alcohol, oil, grease and common solvency.

## 电缆接头 分解示意图



## PJ-A型金属接头

◆ 公制牙(Metric) / 德制牙(G)

规格灵活可定制  
免费样品提供

螺牙规格 Thread	规格 Sizes	适用电缆 Cable	螺纹外径 Thread O.D C1	螺纹长度 Thread Length C2	扳手径 Spanner Size A\$F	包装 Std.Pkg Pcs
M8×1.25	M8-3.8	2-3.8	8	5.5	13/13	50
M10×1.0	M10-6.5	3-6.5	10	6.5	14/14	50
M12S×1.5	M12S-6.5	3-6.5	12	7	14/14	50
M12×1.5	M12-8	4-8	12	8	17/17	50
M16S×1.5	M16S-8	4-8	16	9	18/18	50
M16×1.5	M16-10	5-10	16	8	22/22	50
M20S×1.5	M20S-12	6-12	20	9.5	24/24	50
M20×1.5	M20-14	10-14	20	9.5	25/25	50
M25×1.5	M25-18	13-18	25	12	30/30	50
M32×1.5(2)	M32-25	18-25	32	12.5	40/40	50
M40×1.5(2)	M40-30	24-30	40	15	50/50	50
M50×1.5(2)	M50-41	32-41	50	15	59/59	50
M63×1.5(2)	M63-44	37-44	63	17	67/65	50
M63×1.5(2)	M64-51	44-51	63	17	73/73	50
PG7S	PG7S-6.5	3-6.5	12.5	7	14/14	50
PG7	PG7-8	4-8	12.5	8	17/17	50
PG9	PG9-8	4-8	15.2	8	18/18	50
PG11	PG11-10	5-10	18.6	9	22/22	50
PG13.5	PG13.5-12	6-12	20.4	9.5	24/24	50
PG16	PG16-14	10-14	22.5	9.5	25/25	50
PG21	PG21-18	13-18	28.3	12	30/30	50
PG29	PG29-25	18-25	37	12.5	40/40	50
PG36	PG36-30	25-30	47	15	50/50	50
PG42	PG42-41	32-41	54	15	59/59	50
PG48	PG48-44	37-45	59.3	17	67/65	50



## PJ-A型金属接头

◆ 英制牙(G) / 美制牙(NPT)

规格灵活可定制  
免费样品提供

螺牙规格 Thread	规格 Sizes	适用电缆 Cable	螺纹外径 Thread O.D C1	螺纹长度 Thread Length C2	扳手径 Spanner Size A\$F	包装 Std.Pkg Pcs
G1/4	G1/4	3-5.3	13.1	8	17/17	50
G1/4	G1/4	4.5-7.8	13.1	8	17/17	50
G3/8	G3/8	4-7	16.6	9	22/22	50
G3/8	G3/8	6-10	16.6	9	22/22	50
G1/2	G1/2	7-11	20.9	9.5	26/26	50
G1/2	G1/2	9-14	20.9	9.5	26/26	50
G3/4	G3/4	12-16	26.4	12	32/32	50
G3/4	G3/4	14-18	26.4	12	32/32	50
G1	G1	16-22	33.2	12.5	41/41	50
G1	G1	18-25	33.2	12.5	41/41	50
G1-1/4	G1-1/4	21-25	41.9	15	50/50	50
G1-1/4	G1-1/4	24-30	41.9	15	50/50	50
G1-1/2	G1-1/2	26-30	47.8	15	60/60	50
G1-1/2	G1-1/2	31-41	47.8	15	60/60	50
G2	G2	40-46	59.6	15	73/73	50
G2	G2	44-51	59.6	15	73/73	50
G2-1/2	G2-1/2	50-56	75.1	15	88/85	50
G2-1/2	G2-1/2	56-66	75.1	15	88/85	50
NPT3/8	NPT3/8	4-7	17.055	13	22/22	50
NPT3/8	NPT3/8	6-10	17.055	13	22/22	50
NPT1/2	NPT1/2	7-11	21.2	13	26/26	50
NPT1/2	NPT1/2	9-14	21.2	13	26/26	50
NPT3/4	NPT3/4	12-16	26.5	14	32/32	50
NPT3/4	NPT3/4	14-18	26.5	14	32/32	50
NPT1	NPT1	16-22	33.2	15	41/41	50
NPT1	NPT1	18-25	33.2	15	41/41	50
NPT1-1/4	NPT1-1/4	21-25	41.9	15	50/50	50
NPT1-1/4	NPT1-1/4	24-30	41.9	15	50/50	50

## 追求卓越品质 不锈钢电缆接头



### 技术参数

- ◆ **产品名称:** 不锈钢电缆接头
- ◆ **螺牙规格:** 公制牙 (Metric) , PG牙, G(PF)牙及NPT牙。(螺牙可定制)
- ◆ **产品材质:** 迫紧帽、主体、螺母以304不锈钢制成, 夹紧爪部分以UL认可之尼龙PA66制成 (防火等级UL94V-2), 夹紧圈、O型圈部分采用丁青橡胶制成
- ◆ **防水等级:** IP68
- ◆ **工作温度:** 静态-40°C至100°C, 或瞬间可耐热至120°C。动态-20°C至80°C, 或瞬间可耐热至100°C
- ◆ **产品特性:** 特殊设计的夹紧圈与夹紧爪, 迫紧螺帽带松紧扣, 夹紧电缆范围大, 抗拉力强, 可防水, 防尘, 抗盐, 耐弱酸, 酒精, 油, 油脂及一般溶剂。
- ◆ **Name:** Stainless Steel Cable Glands
- ◆ **Thread:** Metric,PG,G(PF)and NPT
- ◆ **Materials:** Location A,C and F are made of high quality thickened zinc alloy,E made of Nylon PA66, B and D is made of EPDM rubber
- ◆ **Working temperature:** -40°C to 100°C
- ◆ **Features:** The claws and seals of excellent design.Sealing nut have a "click" sound and re-open, can hold cable firmly and have a wider cable range.Resistant to salt water,weak acid,alcohol,oil, grease and common solvency.



## ■ 不锈钢电缆接头

◆ 公制牙(Metric)

规格灵活可定制  
免费样品提供

螺牙规格 Thread	规格 Sizes	适用电缆 Cable	螺纹外径 Thread O.D C1	螺纹长度 Thread Length C2	扳手径 Spanner Size A\$F	包装 Std.Pkg. Pcs
M10×1.0	M10-6.5	3-6.5	10	6.5	14/14	50
M12×1.5	M12-6.5	3-6.5	12	6.5	14/14	50
M14×1.5	M14-8	4-8	14	7	17/17	50
M16×1.5	M16-8	4-8	16	8	18/18	50
M18×1.5	M18-10	5-10	18	8	20/20	50
M20×1.5	M20-12	6-12	20	8	22/22	50
M22×1.5	M22-14	10-14	22	8	24/24	50
M24×1.5	M24-14	10-14	24	9	27/24	50
M25×1.5	M25-14	10-14	25	9	27/24	50
M25×1.5	M25-16	12-16	25	9	27/27	50
M25×1.5	M25-18	13-18	25	9	27/30	50
M27×1.5(2)	M27-18	13-18	27	9	30/30	50
M28×1.5(2)	M28-18	13-18	28	9	30/30	50
M30×1.5(2)	M30-18	13-18	30	9	32/30	50
M32×1.5(2)	M32-22	15-22	32	10	35/35	50
M33×1.5(2)	M33-22	15-22	33	10	35/35	50
M36×1.5(2)	M36-25	18-25	36	10	40/40	50
M37×1.5(2)	M37-25	18-25	37	10	40/40	50
M40×1.5(2)	M40-30	22-30	40	11	45/45	50
M42×1.5(2)	M42-30	22-30	42	11	45/45	50
M47×1.5(2)	M47-33	25-33	47	11	50/50	50
M48×1.5(2)	M48-33	25-33	48	11	50/52	50
M50×1.5(2)	M50-38	32-38	50	13	55/57	50
M54×1.5(2)	M54-38	32-38	54	13	55/57	50
M60×1.5(2)	M60-44	37-44	60	14	64/64	50
M63×1.5(2)	M63-44	37-44	63	14	68/64	50
M64×1.5(2)	M64-44	37-44	64	14	68/64	50
M72×1.5(2)	M72-52	42-52	72	16	78/78	50
M75×1.5(2)	M75-52	42-52	75	16	78/78	50
M80×1.5(2)	M80-62	55-62	80	18	88/88	50
M88×1.5(2)	M88-70	65-70	88	18	94/94	50
M100×1.5(2)	M100-84	78-84	100	20	110/110	50

## ■ 不锈钢电缆接头

◆ 德制牙(PG) / 英制牙(G) / 美制牙(NPT)

规格灵活可定制  
免费样品提供

螺牙规格 Thread	规格 Sizes	适用电缆 Cable	螺纹外径 Thread O.D C1	螺纹长度 Thread Length C2	扳手径 Spanner Size A\$F	包装 Std.Pkg. Pcs
PG7	PG7-6.5	3-6.5	12.5	6.5	14/14	50
PG9	PG9-8	4-8	15.2	7	17/17	50
PG11	PG11-10	5-10	18.6	8	20/20	50
PG13.5	PG13.5-12	6-12	20.4	8	22/22	50
PG16	PG16-14	10-14	22.5	9	24/24	50
PG19	PG19-14	10-14	25	9	27/24	50
PG21	PG21-18	13-18	28.3	9	30/30	50
PG25	PG25-22	15-22	32	10	35/35	50
PG29	PG29-25	18-25	37	11	40/40	50
PG36	PG36-33	25-33	47	11	50/50	50
PG42	PG42-38	32-38	54	13	57/57	50
PG48	PG48-44	37-44	59.3	14	64/64	50
PG63	PG63-52	42-52	72	16	78/78	50
G1/4	G1/4	3-6.5	13.1	6	14/14	50
G3/8	G3/8	4-8	16.6	8	18/18	50
G1/2	G1/2	6-12	20.9	8	22/22	50
G3/4	G3/4	13-18	26.4	9	30/30	50
G1	G1	18-25	33.2	10	40/40	50
G1-1/4	G1-1/4	25-33	41.9	13	50/50	50
G1-1/2	G1-1/2	32-38	47.8	14	57/57	50
G2	G2	37-44	59.6	14	64/64	50
G2-1/2	G2-1/2	42-52	75.1	15	77/77	50
G3	G3	65-70	87.8	15	94/94	50
NPT1/4	NPT1/4	3-6.5	13.6	6	14/14	50
NPT3/8	NPT3/8	4-8	17	8	18/18	50
NPT1/2	NPT1/2	6-12	21.2	8	22/22	50
NPT3/4	NPT3/4	13-18	26.5	9	30/30	50
NPT1	NPT1	18-25	33.2	11	40/40	50
NPT1-1/4	NPT1-1/4	25-33	41.9	13	50/50	50
NPT1-1/2	NPT1-1/2	32-38	48	14	57/57	50
NPT2	NPT2	37-44	60	14	64/64	50
NPT2-1/2	NPT2-1/2	42-52	72.6	15	77/77	50
NPT3	NPT3	65-70	88.6	15	94/94	50



追求卓越品质  
专业打造金属防水接头



技术参数

- ◆ **螺牙规格:** 公制牙 (Metric) , PG牙, G(PF)牙及NPT牙。(螺牙可定制)
- ◆ **产品材质:** 迫紧头、主体、螺母以铜合金镀镍制成, 夹紧爪部分以UL认可之尼龙PA66制成 (防火等级UL 94V-2) , 夹紧圈采用丁青橡胶制成,垫片用黑色硅胶制成。
- ◆ **防水等级:** IP68-10。
- ◆ **工作温度:** 静态-40°C至100°C, 或瞬间可耐热至120°C。动态-20°C至80°C, 或瞬间可耐热至100°C。
- ◆ **产品特性:** 特殊设计的夹紧圈与夹紧爪, 迫紧螺帽带松紧扣, 夹紧电缆范围大, 抗拉力强, 可防水, 防尘, 抗盐, 耐弱酸, 酒精, 油, 油脂及一般溶剂。
- ◆ **Thread:** Metric, PG, G(PF) and NPT
- ◆ **Materials:** Brass with nickel plated A.C.F parts, UL approved Nylon PA66(Flammability UL94V-2) for E part, EPDM rubber for B.D parts.
- ◆ **Protection degree:** IP68-10
- ◆ **Working temperature:** -40°C to 100°C, in state instantaneous heat resistance up to 120 °C. -20°C to 80°C in dynamic state Instantaneous heat resistance up to 100°C.
- ◆ **Features:** The claws and seals of excellent design. Sealing nut have a "click" sound and re-open, can hold cable firmly and have a wider cable range. Resistant to salt water, weak acid, alcohol, oil, grease and common solvency.

电缆接头  
分解示意图

半通型



半通型

公制牙 (Metric)

规格灵活可定制  
免费样品提供

螺牙规格 Thread	规格 Sizes	适用电缆 Cable	螺纹外径 Thread O.D C1	螺纹长度 Thread Length C2	扳手径 Spanner Size A\$F	包装 Std.Pkg. Pcs
M8×0.5	M8-4.5	3-4.5	8	4	11/12	50
M10×1.0	M10-6.5	3-6.5	10	6.5	14/14	50
M12×1.5	M12-6.5 M12-8	3-6.5 4-8	12	6.5 7	14/14 14/17	50
M14×1.5	M14-8	4-8	14	7	17/17	50
M16×1.5	M16-8 M16-10	4-8 5-10	16	8 8	18/18 18/20	50
M18×1.5	M18-10	5-10	18	8	20/20	50
M20×1.5	M20-12	6-12	20	8	22/22	50
M22×1.5	M22-14	10-14	22	8	24/24	50
M24×1.5	M24-14	10-14	24	9	27/24	50
M25×1.5	M25-14	10-14	25	9	27/24	50
M25×1.5	M25-16	12-16	25	9	27/27	50
M25×1.5	M25-18	13-18	25	9	27/30	50
M27×1.5(2)	M27-18	13-18	27	9	30/30	50
M28×1.5(2)	M28-18	13-18	28	9	30/30	50
M30×1.5(2)	M30-18	13-18	30	9	32/30	50
M32×1.5(2)	M32-22	15-22	32	10	35/35	50
M33×1.5(2)	M33-22	15-22	33	10	35/35	50
M36×1.5(2)	M36-25	18-25	36	10	40/40	50
M37×1.5(2)	M37-25	18-25	37	10	40/40	50
M40×1.5(2)	M40-30	22-30	40	11	45/45	50
M42×1.5(2)	M42-30	22-30	42	11	45/45	50
M47×1.5(2)	M47-33	25-33	47	11	50/50	50
M48×1.5(2)	M48-33	25-33	48	11	50/52	50
M50×1.5(2)	M50-38	32-38	50	13	55/57	50
M54×1.5(2)	M54-38	32-38	54	13	55/57	50
M60×1.5(2)	M60-44	37-44	60	14	64/64	50
M63×1.5(2)	M63-44	37-44	63	14	68/64	50
M64×1.5(2)	M64-44	37-44	64	14	68/64	50
M72×1.5(2)	M72-52	42-52	72	16	78/78	50
M75×1.5(2)	M75-52	42-52	75	16	78/78	50
M80×1.5(2)	M80-62	55-62	80	18	88/88	50
M88×1.5(2)	M88-70	65-70	88	18	94/94	50
M100×1.5(2)	M100-84	78-84	100	20	110/110	50



## 半通型

### ◆ 德制牙 (PG)

规格灵活可定制  
免费样品提供

螺牙规格 Thread	规格 Sizes	适用电缆 Cable	螺纹外径 Thread O.D C1	螺纹长度 Thread Length C2	扳手径 Spanner Size A\$F	包装 Std.Pkg. Pcs
PG7	PG7-6.5	3-6.5	12.5	6.5	14/14	50
PG9	PG9-8	4-8	15.2	7	17/17	50
PG11	PG11-10	5-10	18.6	8	20/20	50
PG13.5	PG13.5-12	6-12	20.4	8	22/22	50
PG16	PG16-14	10-14	22.5	9	24/24	50
PG19	PG19-14	10-14	25	9	27/24	50
PG21	PG21-18	13-18	28.3	9	30/30	50
PG25	PG25-22	15-22	32	10	35/35	50
PG29	PG29-25	18-25	37	11	40/40	50
PG36	PG36-33	25-33	47	11	50/50	50
PG42	PG42-38	32-38	54	13	57/57	50
PG48	PG48-44	37-44	59.3	14	64/64	50
PG63	PG63-52	42-52	72	16	78/78	50

### ◆ 美制牙 (NPT)

螺牙规格 Thread	规格 Sizes	适用电缆 Cable	螺纹外径 Thread O.D C1	螺纹长度 Thread Length C2	扳手径 Spanner Size A\$F	包装 Std.Pkg. Pcs
NPT1/4	NPT1/4	3-6.5	13.6	6	14/14	50
NPT3/8	NPT3/8	4-8	17	8	18/18	50
NPT1/2	NPT1/2	6-12	21.2	8	22/22	50
NPT3/4	NPT3/4	13-18	26.5	9	30/30	50
NPT1	NPT1	18-25	33.2	11	40/40	50
NPT1-1/4	NPT1-1/4	25-33	41.9	13	50/50	50
NPT1-1/2	NPT1-1/2	32-38	48	14	57/57	50
NPT2	NPT2	37-44	60	14	64/64	50
NPT2-1/2	NPT2-1/2	42-52	72.6	15	77/77	50
NPT3	NPT3	65-70	88.6	15	94/94	50

## 半通型

### ◆ 英制牙 (G)

规格灵活可定制  
免费样品提供

螺牙规格 Thread	规格 Sizes	适用电缆 Cable	螺纹外径 Thread O.D C1	螺纹长度 Thread Length C2	扳手径 Spanner Size A\$F	包装 Std.Pkg. Pcs
G1/4	G1/4	3-6.5	13.1	6	14/14	50
G3/8	G3/8	4-8	16.6	8	18/18	50
G1/2	G1/2	6-12	20.9	8	22/22	50
G3/4	G3/4	13-18	26.4	9	30/30	50
G1	G1	18-25	33.2	10	40/40	50
G1-1/4	G1-1/4	25-33	41.9	13	50/50	50
G1-1/2	G1-1/2	32-38	47.8	14	57/57	50
G2	G2	37-44	59.6	14	64/64	50
G2-1/2	G2-1/2	42-52	75.1	15	77/77	50
G3	G3	65-70	87.8	15	94/94	50



# 追求卓越品质 专业打造金属防水接头



## 技术参数

- ◆ **螺牙规格:** 公制牙 (Metric) , PG牙, G(PF)牙及NPT牙。(螺牙可定制)
- ◆ **产品材质:** 迫紧头、主体、螺母以铜合金镀镍制成, 夹紧爪部分以UL认可之尼龙PA66制成 (防火等级UL 94V-2) , 夹紧圈采用丁青橡胶制成,垫片用黑色硅胶制成。
- ◆ **防水等级:** IP68-10。
- ◆ **工作温度:** 静态-40°C至100°C, 或瞬间可耐热至120°C。动态-20°C至80°C, 或瞬间可耐热至100°C。
- ◆ **产品特性:** 特殊设计的夹紧圈与夹紧爪, 迫紧螺帽带松紧扣, 夹紧电缆范围大, 抗拉力强, 可防水, 防尘, 抗盐, 耐弱酸, 酒精, 油, 油脂及一般溶剂。
- ◆ **Thread:** Metric, PG, G(PF) and NPT
- ◆ **Materials:** Brass with nickel plated A.C.F parts, UL approved Nylon PA66(Flammability UL94V-2) for E part, EPDM rubber for B.D parts.
- ◆ **Protection degree:** IP68-10
- ◆ **Working temperature:** -40°C to 100°C, in state instantaneous heat resistance up to 120 °C. -20°C to 80°C in dynamic state Instantaneous heat resistance up to 100°C.
- ◆ **Features:** The claws and seals of excellent design. Sealing nut have a "click" sound and re-open, can hold cable firmly and have a wider cable range. Resistant to salt water, weak acid, alcohol, oil, grease and common solvency.

## 电缆接头 分解示意图

直通型



## 直通型

### ◆ 公制牙 (Metric)

规格灵活可定制  
免费样品提供

螺牙规格 Thread	规格 Sizes	适用电缆 Cable	螺纹外径 Thread O.D C1	螺纹长度 Thread Length C2	扳手径 Spanner Size A\$F	包装 Std.Pkg. Pcs
M8×0.5	M8-4.5	3-4.5	8	4	11/12	50
M10×1.0	M10-6.5	3-6.5	10	6.5	14/14	50
M12×1.5	M12-6.5	3-6.5	12	6.5	14/14	50
M12×1.5	M12-8	4-8	12	7	14/17	50
M14×1.5	M14-8	4-8	14	7	17/17	50
M16×1.5	M16-8	4-8	16	8	18/18	50
M16×1.5	M16-10	5-10	16	8	18/20	50
M18×1.5	M18-10	5-10	18	8	20/20	50
M20×1.5	M20-12	6-12	20	8	22/22	50
M22×1.5	M22-14	10-14	22	8	24/24	50
M24×1.5	M24-14	10-14	24	9	27/24	50
M25×1.5	M25-14	10-14	25	9	27/24	50
M25×1.5	M25-16	12-16	25	9	27/27	50
M25×1.5	M25-18	13-18	25	9	27/30	50
M27×1.5(2)	M27-18	13-18	27	9	30/30	50
M28×1.5(2)	M28-18	13-18	28	9	30/30	50
M30×1.5(2)	M30-18	13-18	30	9	32/30	50
M32×1.5(2)	M32-22	15-22	32	10	35/35	50
M33×1.5(2)	M33-22	15-22	33	10	35/35	50
M36×1.5(2)	M36-25	18-25	36	10	40/40	50
M37×1.5(2)	M37-25	18-25	37	10	40/40	50
M40×1.5(2)	M40-30	22-30	40	11	45/45	50
M42×1.5(2)	M42-30	22-30	42	11	45/45	50
M47×1.5(2)	M47-33	25-33	47	11	50/50	50
M48×1.5(2)	M48-33	25-33	48	11	50/52	50
M50×1.5(2)	M50-38	32-38	50	13	55/57	50
M54×1.5(2)	M54-38	32-38	54	13	55/57	50
M60×1.5(2)	M60-44	37-44	60	14	64/64	50
M63×1.5(2)	M63-44	37-44	63	14	68/64	50
M64×1.5(2)	M64-44	37-44	64	14	68/64	50
M72×1.5(2)	M72-52	42-52	72	16	78/78	50
M75×1.5(2)	M75-52	42-52	75	16	78/78	50
M80×1.5(2)	M80-62	55-62	80	18	88/88	50
M88×1.5(2)	M88-70	65-70	88	18	94/94	50
M100×1.5(2)	M100-84	78-84	100	20	110/110	50



## 直通型

### ◆ 公制牙 (Metric)

规格灵活可定制  
免费样品提供

螺牙规格 Thread	规格 Sizes	适用电缆 Cable	螺纹外径 Thread O.D C1	螺纹长度 Thread Length C2	扳手径 Spanner Size A\$F	包装 Std.Pkg. Pcs
PG7	PG7-6.5	3-6.5	12.5	6.5	14/14	50
PG9	PG9-8	4-8	15.2	7	17/17	50
PG11	PG11-10	5-10	18.6	8	20/20	50
PG13.5	PG13.5-12	6-12	20.4	8	22/22	50
PG16	PG16-14	10-14	22.5	9	24/24	50
PG19	PG19-14	10-14	25	9	27/24	50
PG21	PG21-18	13-18	28.3	9	30/30	50
PG25	PG25-22	15-22	32	10	35/35	50
PG29	PG29-25	18-25	37	11	40/40	50
PG36	PG36-33	25-33	47	11	50/50	50
PG42	PG42-38	32-38	54	13	57/57	50
PG48	PG48-44	37-44	59.3	14	64/64	50
PG63	PG63-52	42-52	72	16	78/78	50

品基电子



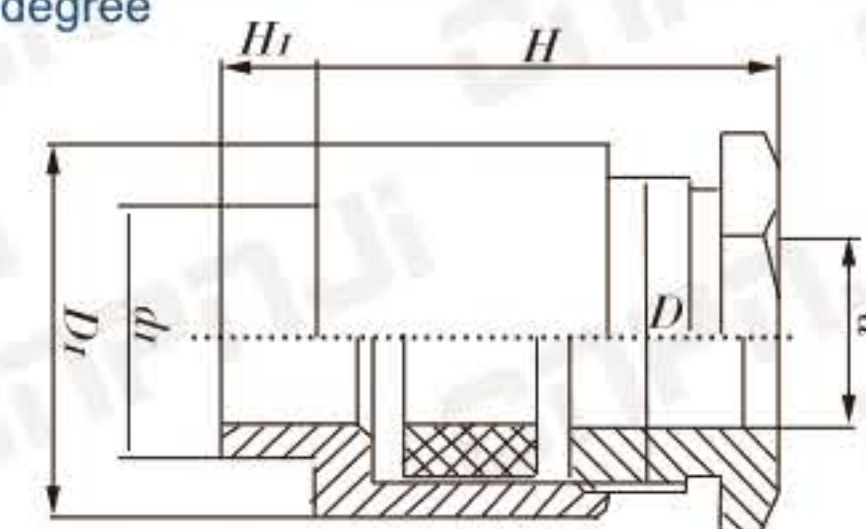
## 追求卓越品质 TH焊接式填料函



### 技术参数

- ◆ **产品名称:** 船用填料函-TH焊接式
- ◆ **防护等级:** IP54
- ◆ **产品材质:** D部分采用黄铜制成, D1部位采用优质钢材制成, 夹紧圈采用丁晴橡胶 (NBR)制成
- ◆ **工作温度:** 静态: 零下40度--110度, 最高可达120度 动态: 零下20--80度, 最高100度
- ◆ **产品特性:** 填料函是一种高品质电缆的防爆附件, 装在电缆端口与防爆电器设备的连接处, 起引入电缆、固定位置并达到密封、防爆作用, 具有隔爆性能优越、结构安全可靠、安装简单方便、防护等级高等优点
- ◆ **应用范围:** 仪表、船舶、机械、电气、交通、医药、油田、电缆固定用防尘, 抗盐, 耐弱酸, 酒精, 油, 油脂及一般溶剂
- ◆ **Name:** TH soldered type
- ◆ **Protection degree:** IP54
- ◆ **Materials:** D part is made of brass while D1 part is made of steel and the clamping part is made of NBR
- ◆ **Temperature Resistance:** -40°C to 110°C, short time to 120°C
- ◆ **Features:** Marine cable gland is a high quality cable accessories which installed in the connections of explosion-proof electrical equipment and cable port, with the advantages of superior performance of flameproof, safe and reliable structure, easy installation and high protection degree

### 电缆接头 分解示意图





## 船用填料函

### ◆ TH 焊接式

规格灵活可定制  
免费样品提供

螺牙规格 Thread	规格 Sizes	d(mm)	D(mm)	d1(mm)	D1(mm)	H(mm)	H1(MM)	适用电缆 Cable
SMTH8	TH-8	8	M16*1	13	20	32	3	5-7
SMTH13	TH-13	13	M20*1	17	24	35	8	6-12
SMTH16	TH-16	16	M27*1.5	22	32	40	8	11-15
SMTH19	TH-19	19	M30*1.5	24	35	42	8	14-18
SMTH24	TH-24	24	M35*1.5	30	41	44	8	17-23
SMTH28	TH-28	28	M42*2	35	49	46	8	22-27
SMTH34	TH-34	34	M47*2	42	53	49	8	26-33
SMTH42	TH-42	42	M55*2	50	60	54	8	32-41
SMTH50	TH-50	50	M62*2	58	69	56	8	40-49
SMTH58	TH-58	58	M71*2	66	80	56	8	48-57

品基电子



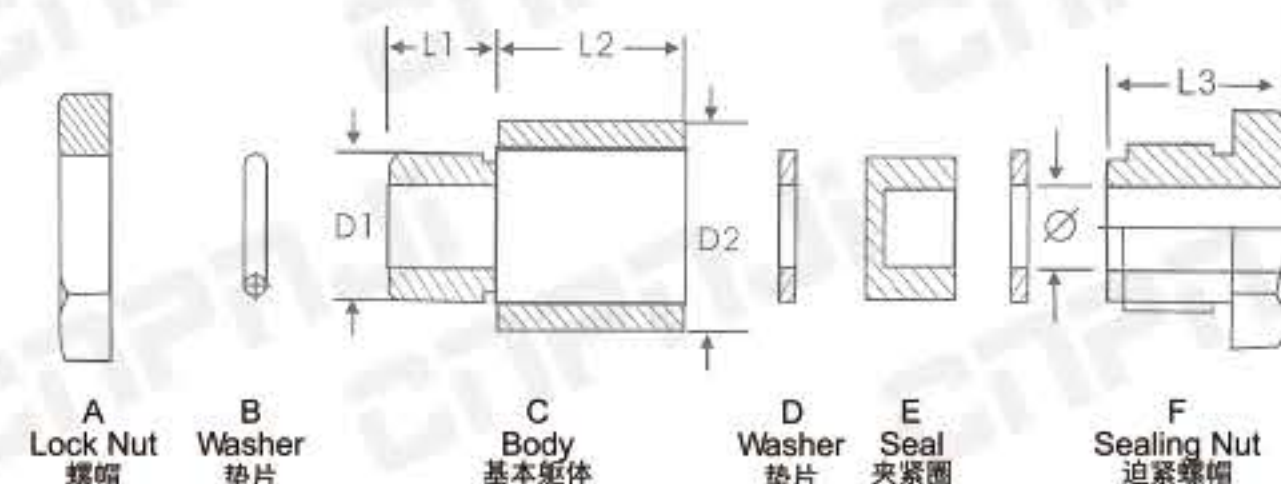
## 追求卓越品质 TJ夹紧式填料函



### 技术参数

- ◆ **产品名称:** 船用填料函-TJ夹紧式
- ◆ **防护等级:** IP54
- ◆ **产品材质:** D,D1部分均采用黄铜镀铬制成, 夹紧圈才有丁晴橡胶(NBR)制成
- ◆ **工作温度:** 静态: 零下40度--110度, 最高可达120度 动态: 零下20--80度, 最高100度
- ◆ **产品认证:** 欧洲CE认证, 欧洲REACH认证
- ◆ **应用范围:** 仪表、船舶、机械、电气、交通、医药、油田、电缆固定用防尘, 抗盐, 耐弱酸, 酒精, 油, 油脂及一般溶剂
- ◆ **Name:** TJ Clamping type
- ◆ **Protection degree:** IP54
- ◆ **Materials:** Barass chromium plated
- ◆ **Temperature Resistance:** -40°C to 100°C, short time to 120°C
- ◆ **Approvals:** CE, REACH
- ◆ **Application:** For use all types of unarmoured cables

### 电缆接头 分解示意图





## 船用填料函

### ◆ TJ夹紧式

规格灵活可定制  
免费样品提供

螺牙规格 Thread	规格 Sizes	d(mm)	D(mm)	d1(mm)	D1(mm)	H(mm)	H1(MM)	适用电缆 Cable
CPTJ8	TJ-8	8	M16*1	M14*1	20	32	9	5-7
CPTJ13	TJ-13	13	M20*1	M18*1	24	35	10	6-12
CPTJ16	TJ-16	16	M27*1.5	M22*1.5	31.5	40	12	11-15
CPTJ19	TJ-19	19	M30*1.5	M27*1.5	34.5	42	12	14-18
CPTJ24	TJ-24	24	M35*1.5	M30*1.5	39.6	44	12	17-23
CPTJ28	TJ-28	28	M42*2	M36*1.5	46.5	46	15	22-27
CPTJ34	TJ-34	34	M47*2	M42*2	54	49	15	26-33
CPTJ42	TJ-42	42	M55*2	M52*2	62	54	15	32-41
CPTJ50	TJ-50	50	M62*2	M58*2	68.5	56	15	40-49
CPTJ58	TJ-58	58	M71*2	M68*2	77.5	56	20	48-57

品基电子



## 追求卓越品质 JIS日式填料函



### 技术参数

- ◆ **产品名称:** 船用填料函-JIS日式
- ◆ **螺牙规格:** 德制G(PF)牙 (特殊规格可定做)
- ◆ **产品材质:** 黄铜镀铬
- ◆ **接头标准:** 日式
- ◆ **产品认证:** 欧洲CE认证 欧洲REACH认证
- ◆ **应用范围:** 仪表、船舶、机械、电气、交通、医药、油田、电缆固定用  
防尘, 抗盐, 耐弱酸, 酒精, 油, 油脂及一般溶剂
- ◆ **Name:** JIS standard type
- ◆ **Thread:** G(PF)
- ◆ **Materials:** Barass chromium plated
- ◆ **Gland Type:** JIS Standard
- ◆ **Approvals:** CE,REACH
- ◆ **Application:** For use all types of unarmoured cables



## 船用填料函

### ◆ JIS-日式

规格灵活可定制  
免费样品提供

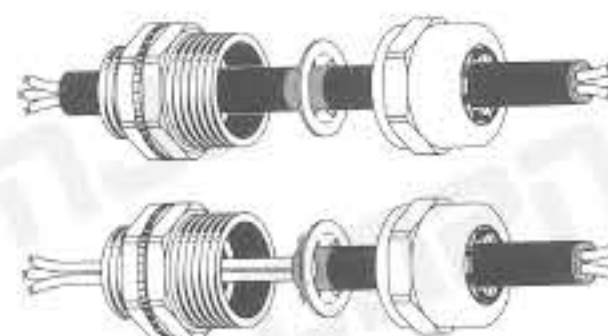
螺牙规格 Thread	规格 Sizes	适用电缆 Cable	螺纹规格 Thread AG	螺纹长度 Thread Length C2	机板口径 Mounting hole diameter	夹紧件类型 Packing type
JM3/8A	JIS-10	6-7	3/8	11	18	A
JM3/8B	JIS-10	7-8	3/8	11	18	B
JM1/2A	JIS-15	8-9	1/2	11	22	A
JM1/2B	JIS-15	9-10	1/2	11	22	B
JM1/2C	JIS-15	9-11	1/2	11	22	C
JM3/4A	JIS-20	11-12	3/4	11	27	A
JM3/4B	JIS-20	12-13	3/4	11	27	B
JM3/4C	JIS-20	12-15	3/4	11	27	C
JM1A	JIS-25	15-16	1	11	34	A
JM1B	JIS-25	16-18	1	11	34	B
JM1C	JIS-25	16-20	1	11	34	C
JM1-1/4A	JIS-30	20-11	1-1/4	12	43	A
JM1-1/4B	JIS-30	22-24	1-1/4	12	43	B
JM1-1/4C	JIS-30	22-26	1-1/4	12	43	C
JM1-1/2Aa	JIS-35	26-28	1-1/2	12	49	A
JM1-1/2Ba	JIS-35	28-30	1-1/2	12	49	B
JM1-1/2Ca	JIS-35	26-30	1-1/2	12	49	C
JM1-1/2Ab	JIS-40	30-32	1-1/2	12	49	A
JM1-1/2Bb	JIS-40	32-34	1-1/2	12	49	B
JM1-1/2Cb	JIS-40	30-34	1-1/2	12	49	C
JM2Aa	JIS-45	34-36	2	12	61	A
JM2Ba	JIS-45	36-38	2	12	61	B
JM2Ca	JIS-45	36-40	2	12	61	C
JM2Ab	JIS-50	40-42	2	12	61	A
JM2Bb	JIS-50	42-44	2	12	61	B
JM2Cb	JIS-50	40-44	2	12	61	C
JM2-1/2Aa	JIS-55	44-46	2-1/2	12	76	A
JM2-1/2Ba	JIS-55	46-48	2-1/2	12	76	B
JM2-1/2Ca	JIS-55	46-50	2-1/2	12	76	C
JM2-1/2Ab	JIS-60	50-52	2-1/2	12	76	A
JM2-1/2Bb	JIS-60	52-54	2-1/2	12	76	B
JM2-1/2Cb	JIS-60	52-56	2-1/2	12	76	C
JM3Aa	JIS-65	56-58	3	14	89	A
JM3Ba	JIS-65	58-60	3	14	89	B
JM3Ab	JIS-70	60-62	3	14	89	A
JM3Bb	JIS-70	62-64	3	14	89	B
JM3Ac	JIS-75	64-66	3	14	89	A
JM3Ac	JIS-75	66-70	3	14	89	B

## 追求卓越品质 弹簧防磁波电缆接头

### 技术参数

- ◆ **产品名称:** 弹簧防磁波电缆接头
- ◆ **螺牙规格:** 公制牙 (Metric), PG牙, G(PF)牙及NPT牙。(螺牙可定制)
- ◆ **产品材质:** F迫紧帽、C主体、C1接触片、A螺母以铜合金镀镍制成, 夹紧爪部分以UL认可之尼龙PA66制成 (防火等级UL 94V-2) 夹紧圈、O型圈部分采用丁青橡胶制成
- ◆ **防水等级:** IP68-10 ◆ **产品认证:** 欧洲CE认证、欧洲ROHS认证、欧洲REACH认证
- ◆ **工作温度:** 静态-40°C至110°C, 或瞬间可耐热至120°C。动态-20°C至80°C, 或瞬间可耐热至100°C
- ◆ **产品特性:** 本产品经特殊设计, 将金属电缆固定头当作是一个端体, 当隔离线电缆进入本固定头时, 可利用固定头内所附加的铜制接触片来与电缆线内的金属隔离编织网作接触, 进而引导干扰的电磁波到接地线上, 使电磁波干扰源得以疏散, 本款铜制电缆固定头全方位尺寸能充分地被应用到所有需防磁波的出线领域上。
- ◆ **Name:** EMC Metal thread type ◆ **Thread:** Metric,PG,G(PF)and NPT ◆ **Protection degree:** IP68-10
- ◆ **Materials:** Brass with nickel plated for A.C.C1.F parts,UL approved Nylon PA66(Flammability UL94-2) for Epart,EPDM rubber for B.D parts
- ◆ **Working temperature:** -40°C to 110°C ◆ **Approvals:** CE ROHS REACH
- ◆ **Features:** To transfer the effect of EMI,The claws and seals of excellent design.Sealing nut have a "click" sound and re-open,can hold cable firmly and have a wider cable range.Resistant to salt water,weak acid, alcohol,oil,grease and common solvency.

### 电缆接头 分解示意图





## ■ 弹簧防磁波电缆接头

◆ 公制牙(Metric) / 德制牙(PG)

规格灵活可定制  
免费样品提供

螺牙规格 Thread	规格 Sizes	适用电缆 Cable	螺纹外径 Thread O.D C1	螺纹长度 Thread Length C2	扳手径 Spanner Size A\$F	包装 Std.Pkg. Pcs
M12×1.5	M12-6.5	3-6.5	12	6	14/14	50
M16×1.5	M16-8	4-8	16	6	18/18	50
M20×1.5	M20-12	6-12	20	6	22/22	50
M25×1.5	M25-14	10-14	25	7	27/24	50
M25×1.5	M25-16	12-16	25	7	27/27	50
M25×1.5	M25-18	13-18	25	7	27/30	50
M32×1.5(2)	M32-22	15-22	32	8	35/35	50
M40×1.5(2)	M40-30	22-30	40	8	50/50	50
M50×1.5(2)	M50-38	32-38	50	9	55/57	50
M63×1.5(2)	M63-44	37-44	63	10	68/64	50
M75×1.5(2)	M75-56	48-56	75	15	81/81	50
M85×1.5(2)	M85-70	62-70	85	15	95/95	50
PG7	PG7-6.5	3-6.5	12.5	5	14/14	50
PG9	PG9-8	4-8	15.2	5	17/17	50
PG11	PG11-10	5-10	18.6	6	20/20	50
PG13.5	PG13.5-12	6-12	20.4	6.5	22/22	50
PG16	PG16-14	10-14	22.5	6.5	24/24	50
PG21	PG21-18	13-18	28.3	7	30/30	50
PG29	PG29-25	18-25	37	8	40/40	50
PG36	PG36-33	25-32	47	9	50/50	50
PG42	PG42-38	32-38	54	10	57/57	50
PG48	PG48-44	37-44	59.3	10	64/64	50

## ■ 弹簧防磁波电缆接头

◆ 英制牙(G) / 美制牙(NPT)

规格灵活可定制  
免费样品提供

螺牙规格 Thread	规格 Sizes	适用电缆 Cable	螺纹外径 Thread O.D C1	螺纹长度 Thread Length C2	扳手径 Spanner Size A\$F	包装 Std.Pkg. Pcs
G1/4	G1/4	3-6.5	13.1	8	14/14	50
G3/8	G3/8	5-10	16.6	9	20/20	50
G1/2	G1/2	10-14	20.9	9	24/24	50
G3/4	G3/4	13-18	26.4	12	30/30	50
G1	G1	18-25	33.2	12	40/40	50
G1-1/4	G1-1/4	25-32	41.9	15	50/50	50
G1-1/2	G1-1/2	32-38	47.8	15	57/57	50
G2	G2	37-44	59.6	15	64/64	50
NPT1/4	NPT1/4	3-6.5	13.6	8	14/14	50
NPT3/8	NPT3/8	5-10	17	8	20/20	50
NPT1/2	NPT1/2	10-14	21.2	9	24/24	50
NPT3/4	NPT3/4	13-18	26.5	12	30/30	50
NPT1	NPT1	18-25	33.2	13	40/40	50
NPT1-1/4	NPT1-1/4	25-33	41.9	15	50/50	50
NPT1-1/2	NPT1-1/2	32-38	48	15	57/57	50
NPT2	NPT2	37-44	60	17	64/64	50



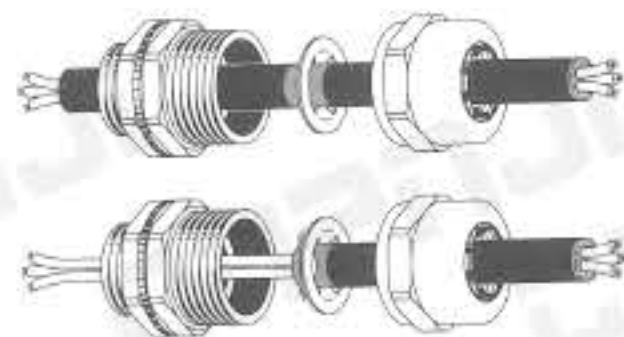
# 追求卓越品质 防磁波电缆接头



## 技术参数

- ◆ **产品名称:** 防磁波电缆接头
- ◆ **螺牙规格:** 公制牙 (Metric) , PG牙, G(PF)牙及NPT牙。(螺牙可定制)
- ◆ **产品材质:** :F迫紧帽、C主体、C1接触片、A螺母以铜合金镀镍制成, 夹紧爪部分以UL认可之尼龙PA66制成 (防火等级UL 94V-2) 夹紧圈、O型圈部分采用丁青橡胶制成
- ◆ **防水等级:** IP68
- ◆ **工作温度:** 静态-40°C至100°C, 或瞬间可耐热至120°C。动态-20°C至80°C, 或瞬间可耐热至100°C
- ◆ **产品特性:** 在使用隔离线电缆时, 可使用低压电磁波降低减弱, 特殊设计的夹紧圈与夹紧爪, 迫紧螺帽带松紧扣, 夹紧电缆范围大, 抗拉力强, 可防水, 防尘, 抗盐, 耐弱酸, 酒精, 油, 油脂及一般溶剂。
- ◆ **Name:** EMC Metal thread type
- ◆ **Thread:** Metric,PG,G(PF)and NPT
- ◆ **Materials:** Brass with nickel plated for A.C.C1.F parts,UL approved Nylon PA66(Flammability UL94-2) for Epart,EPDM rubber for B.D parts
- ◆ **Working temperature:** -40°C to 100°C
- ◆ **Features:** To transfer the effect of EMI,The claws and seals of excellent design.Sealing nut have a "click" sound and re-open,can hold cable firmly and have a wider cable range.Resistant to salt water,weak acid, alcohol,oil,grease and common solvency.

## 电缆接头 分解示意图



## 防磁波电缆接头

### ◆ 公制牙(Metric)

规格灵活可定制  
免费样品提供

螺牙规格 Thread	规格 Sizes	适用电缆 Cable	螺纹外径 Thread O.D C1	螺纹长度 Thread Length C2	扳手径 Spanner Size A\$F	包装 Std.Pkg. Pcs
M10×1.0	M10-6.5	3-6.5	10	6.5	14/14	50
M12×1.5	M12-6.5	3-6.5	12	6.5	14/14	50
M12×1.5	M12-8	4-8	12	7	14/17	50
M14×1.5	M14-8	4-8	14	7	17/17	50
M16×1.5	M16-8	4-8	16	8	18/18	50
M16×1.5	M16-10	5-10	16	8	18/20	50
M18×1.5	M18-10	5-10	18	8	20/20	50
M20×1.5	M20-12	6-12	20	8	22/22	50
M22×1.5	M22-14	10-14	22	8	24/24	50
M24×1.5	M24-14	10-14	24	9	27/24	50
M25×1.5	M25-14	10-14	25	9	27/24	50
M25×1.5	M25-16	12-16	25	9	27/27	50
M25×1.5	M25-18	13-18	25	9	27/30	50
M27×1.5(2)	M27-18	13-18	27	9	30/30	50
M28×1.5(2)	M28-18	13-18	28	9	30/30	50
M30×1.5(2)	M30-18	13-18	30	9	32/30	50
M32×1.5(2)	M32-22	15-22	32	10	35/35	50
M33×1.5(2)	M33-22	15-22	33	10	35/35	50
M36×1.5(2)	M36-25	18-25	36	10	40/40	50
M37×1.5(2)	M37-25	18-25	37	10	40/40	50
M40×1.5(2)	M40-30	22-30	40	11	45/45	50
M42×1.5(2)	M42-30	22-30	42	11	45/45	50
M47×1.5(2)	M47-33	25-33	47	11	50/50	50
M48×1.5(2)	M48-33	25-33	48	11	50/52	50
M50×1.5(2)	M50-38	32-38	50	13	55/57	50
M54×1.5(2)	M54-38	32-38	54	13	55/57	50
M60×1.5(2)	M60-44	37-44	60	14	64/64	50
M63×1.5(2)	M63-44	37-44	63	14	68/64	50
M64×1.5(2)	M64-44	37-44	64	14	68/64	50
M72×1.5(2)	M72-52	42-52	72	16	78/78	50
M75×1.5(2)	M75-52	42-52	75	16	78/78	50
M80×1.5(2)	M80-62	55-62	80	18	88/88	50
M88×1.5(2)	M88-70	65-70	88	18	94/94	50
M100×1.5(2)	M100-84	78-84	100	20	110/110	50



## 防磁波电缆接头

◆ 德制牙(PG) / 美制牙(NPT)

规格灵活可定制  
免费样品提供

螺牙规格 Thread	规格 Sizes	适用电缆 Cable	螺纹外径 Thread O.D C1	螺纹长度 Thread Length C2	扳手径 Spanner Size A\$F	包装 Std.Pkg. Pcs
PG7	PG7-6.5	3-6.5	12.5	6.5	14/14	50
PG9	PG9-8	4-8	15.2	7	17/17	50
PG11	PG11-10	5-10	18.6	8	20/20	50
PG13.5	PG13.5-12	6-12	20.4	8	22/22	50
PG16	PG16-14	10-14	22.5	9	24/24	50
PG19	PG19-14	10-14	25	9	27/24	50
PG21	PG21-18	13-18	28.3	9	30/30	50
PG25	PG25-22	15-22	32	10	35/35	50
PG29	PG29-25	18-25	37	11	40/40	50
PG36	PG36-33	25-33	47	11	50/50	50
PG42	PG42-38	32-38	54	13	57/57	50
PG48	PG48-44	37-44	59.3	14	64/64	50
PG63	PG63-52	42-52	72	16	78/78	50
NPT1/4	NPT1/4	3-6.5	13.6	6	14/14	50
NPT3/8	NPT3/8	4-8	17	8	18/18	50
NPT1/2	NPT1/2	6-12	21.2	8	22/22	50
NPT3/4	NPT3/4	13-18	26.5	9	30/30	50
NPT1	NPT1	18-25	33.2	10	40/40	50
NPT1-1/4	NPT1-1/4	25-33	41.9	13	50/50	50
NPT1-1/2	NPT1-1/2	32-38	48	14	57/57	50
NPT2	NPT2	37-44	60	14	64/64	50
NPT2-1/2	NPT2-1/2	42-52	72.6	15	77/77	50
NPT3	NPT3	65-70	88.6	15	94/94	50

## 防磁波电缆接头

◆ 英制牙(G)

规格灵活可定制  
免费样品提供

螺牙规格 Thread	规格 Sizes	适用电缆 Cable	螺纹外径 Thread O.D C1	螺纹长度 Thread Length C2	扳手径 Spanner Size A\$F	包装 Std.Pkg. Pcs
G1/4	G1/4	3-6.5	13.1	6	14/14	50
G3/8	G3/8	4-8	16.6	8	18/18	50
G1/2	G1/2	6-12	20.9	8	22/22	50
G3/4	G3/4	13-18	26.4	9	30/30	50
G1	G1	18-25	33.2	10	40/40	50
G1-1/4	G1-1/4	25-33	41.9	13	50/50	50
G1-1/2	G1-1/2	32-38	47.8	14	57/57	50
G2	G2	37-44	59.6	14	64/64	50
G2-1/2	G2-1/2	42-52	75.1	15	77/77	50
G3	G3	65-70	87.8	15	94/94	50



# 追求卓越品质

## 金属防水透气阀



### 技术参数

- ◆ **产品名称:** 金属防水透气阀 ◆ **进水压力:** >5bar
- ◆ **产品材质:** 铝合金或黄铜镀镍, 密封件为改性橡胶
- ◆ **防水等级:** IP68, 防水深度达到3M-5M
- ◆ **工作温度:** -40°C至120°C, 或瞬间可耐热至150°C
- ◆ **产品认证:** 通过IEC-60077-1999抗震动和抗冲击测试, 符合RoSH测试
- ◆ **开孔建议:** 开孔尺寸AG+0.2mm (需配螺母)
- ◆ **使用范围:** 各类电器、灯具、电机、新能源等防水散热透气装置, 尤其满足恶劣的环境
- ◆ **Name:** EMC Metal thread type ◆ **Influent pressure:** >5bar
- ◆ **Materials:** Aluminum alloy or brass plated nickel, seals as modified rubber
- ◆ **Protection degree:** IP68-10, Waterproof depth reached 3M-5M
- ◆ **Working temperature:** -40°C to 120°C, in state instaneous heat resistance up to 150 °C
- ◆ **Approvals:** IEC-60077-1999, RoHS ◆ **Opening suggestion:** AG+0.2mm(need nut)
- ◆ **Features:** All kinds of waterproof, heat and ventilation devices such as electrical appliances, lamps, motors, new energy and so on, especially satisfy the harsh environmen

## 金属防水透气阀

◆ 公制牙(Metric)

规格灵活可定制  
免费样品提供

型号 Type	螺牙规格 Thread	螺纹外径 Thread O.D C1	透气量 Air Permeability	包装 Std.Pkg. Pcs
M5	M5*0.8	5	340	50
M8	M8*1.0	8	340	50
M10	M10*1.0	10	340	50
M12	M12*1.25	12	340	50
M12	M12*1.5	12	340	50
M16	M16*1.5	16	340	50
M20	M20*1.5	20	340	50



# 追求卓越品质 金属变径环



## 技术参数

- ◆ **产品名称:** 金属变径环
- ◆ **产品材质:** 以优质黄铜镀镍或者镀铬制成
- ◆ **工作温度:** -40℃至100℃, 或瞬间可耐热至120℃
- ◆ **产品用途:** 此产品可将不同的螺纹外径尺寸进行自由转换, 可根据客户要求定制
- ◆ **产品形状:** 六角形或圆形

- ◆ **Name:** Metal Reducer
- ◆ **Materials:** Brass nickel or chrome
- ◆ **Working temperature:** -40℃ to 100℃, in state instaneous heat resistance up to 120 ℃
- ◆ **Features:** This product can convert different thread outer diameter sizes freely and can be customized according to customer requirements
- ◆ **Shape:** Hexagonal or round

## 金属变径环

◆ 公制牙(Metric) / 德制牙(PG) / 英制牙(G) / 美制牙(NPT)

规格灵活可定制  
免费样品提供

六角系列 Hexagon	圆形系列 Circle	外螺纹 Outer Thread	内螺纹 Inner Thread	螺纹长度 Thread Length	高度 Height	扳手径 Spanner Size
M16/M12H	M16/M12C	M16*1.5	M12*1.5	6	9	18
M20/M16H	M20/M16C	M20*1.5	M16*1.5	6.5	9.5	24
M25/M20H	M25/M20C	M25*1.5	M20*1.5	7.5	10.5	30
M32/M25H	M32/M25C	M32*1.5	M25*1.5	8	11.5	39
M40/M32H	M40/M32C	M40*1.5	M32*1.5	9	12.5	43
M50/M40H	M50/M40C	M50*1.5	M40*1.5	10	14	57
M63/M50H	M63/M50C	M63*1.5	M50*1.5	10	14	64
PG9/PG7H	PG9/PG7C	PG9	PG7	6	8.5	17
PG11/PG9H	PG11/PG9C	PG11	PG9	6.5	8.5	20
PG13.5/PG11H	M22-14	PG13.5	PG11	6.5	9	22
PG16/PG13.5H	M24-14	PG16	PG13.5	6.5	9.5	24
PG21/PG16H	M25-14	PG21	PG16	7.5	10	30
PG29/PG21H	M25-16	PG29	PG21	8	11.5	39
PG36/PG29H	M25-18	PG36	PG29	9	12.5	50
PG42/PG36H	M27-18	PG42	PG36	10	14	57
PG48/PG42H	M28-18	PG48	PG42	10	14	64
G3/8-1/2H	G3/8-1/2C	G3/8	G1/2	6	10.5	24
G4/3-G1/2H	G4/3-G1/2C	G3/4	G1/2	6.5	10.5	30
G1-G3/4H	G1-G3/4C	G1	G3/4	7.5	13	40
G1-1/4-G1H	G1-1/4-G1C	G1-1/4	G1	8	13	50



# 追求卓越品质 金属扩径环



## 技术参数

- ◆ **产品名称:** 金属扩径环
- ◆ **产品材质:** 以优质黄铜镀镍或者镀铬制成
- ◆ **工作温度:** -40℃至100℃, 或瞬间可耐热至120℃
- ◆ **产品用途:** 此产品可将不同的螺纹外径尺寸进行自由转换, 可根据客户要求定制
- ◆ **产品形状:** 六角形或圆形

- ◆ **Name:** Metal Reducer
- ◆ **Materials:** Brass nickel or chrome
- ◆ **Working temperature:** -40℃ to 100℃, in state instaneous heat resistance up to 120 ℃
- ◆ **Features:** This product can convert different thread outer diameter sizes freely and can be customized according to customer requirements
- ◆ **Shape:** Hexagonal or round

## 金属扩径环

◆ 公制牙(Metric) / 德制牙(PG) / 英制牙(G) / 美制牙(NPT)

规格灵活可定制  
免费样品提供

六角系列 Hexagon	圆形系列 Circle	外螺纹 Outer Thread	内螺纹 Inner Thread	螺纹长度 Thread Length	高度 Height	扳手径 Spanner Size
M12/HM16	M12/M16C	M16*1.5	M12*1.5	6	10.5	18
M16/M20H	M16/M20C	M20*1.5	M16*1.5	6.5	10.5	24
M20/M25H	M20/M25C	M25*1.5	M20*1.5	7.5	11.5	30
M25/M32H	M25/M32C	M32*1.5	M25*1.5	8	12	39
M32/M40H	M32/M40C	M40*1.5	M32*1.5	9	13	43
M40/M50H	M40/M50C	M50*1.5	M40*1.5	10	16	57
M50/M63H	M50/M63C	M63*1.5	M50*1.5	10	17	64
PG7/PG9H	PG7/PG9C	PG9	PG7	6	10.5	17
PG9/PG11H	PG9/PG11C	PG11	PG9	6.5	10.5	20
PG11/PG13.5H	M14-22	PG13.5	PG11	6.5	10.5	22
PG13.5/PG16H	M14-24	PG16	PG13.5	6.5	11	24
PG16/PG21H	M14-25	PG21	PG16	7.5	11	30
PG21/PG29H	M16-25	PG29	PG21	8	11	39
PG29/PG36H	M18-25	PG36	PG29	9	13	50
PG36/PG42H	M18-27	PG42	PG36	10	15	57
PG42/PG48H	M18-28	PG48	PG42	10	16	64
G1/2-G3/8H	G1/2-G3/8C	G3/8	G1/2	6	10.5	24
G1/2-G3/4H	G1/2-G3/4C	G3/4	G1/2	7.5	10.5	30
G3/4-G1H	G3/4-G1C	G1	G3/4	7.5	13	40
G1-G1-1/4H	G1-G1-1/4C	G1-1/4	G1	8	13	50



# 追求卓越品质 专业打造金属软管接头



## 技术参数

- ◆ **产品名称:** 金属软管接头 (DPN六方内牙接头)
- ◆ **螺牙规格:** 公制牙 (Metric) , PG牙, G(PF)牙。(螺牙可定制)
- ◆ **产品材质:** 锌合金或铝合金
- ◆ **工作温度:** -40°C至100°C
- ◆ **注:** DPN内牙式接头一端连接软管, 另一端连接于带螺纹钢管或装有外螺纹连接件的设备上, 订货请注明软管规格及连接螺纹尺寸, 例: DPN15-G1/2一端连接Φ15软管, 一端为内螺纹G1/2

- ◆ **Name:** DPN Hexagonal Female
- ◆ **Thread:** Metric, PG, G(PF) and NPT
- ◆ **Materials:** Zinc alloy or Aluminum Alloy just according to your requirement
- ◆ **Working temperature:** -40°C to 100°C
- ◆ **Features:** One end of the DPN internal toothed joint is connected to the hose, and the other end is connected to the threaded steel pipe or the equipment with the external threaded connection. Please specify the hose specification and the connection thread size. For example: DPN15-G1/2 end connection Φ15 Hose, one end is internal thread G1/2.

## 金属软管接头

### ◆ 公制牙 (Metric)

规格灵活可定制  
免费样品提供

产品编号 Code	公制 Metric	英制 Inch	英称 Inch	薄钢 Thinsteel	DNP	NCJ内插式配 用厚钢管 NCJ insert fitting
DPN-HS01	φ12	3/8"	G3/8"	C19	DNP3/8	3/8"
DPN-HS02	φ15 (16)	1/2"	G1/2"	C19	DNP1/2	1/2"
DPN-HS03	φ20 (19)	3/4"	G3/4"	C25	DNP3/4	3/4"
DPN-HS04	φ25	1"	G1"	C31	DNP1	1"
DPN-HS05	φ32	1 1/4"	G1 1/4"	C39	DNP1 1/4	1 1/4"
DPN-HS06	φ51(50)	1 1/2"	G1 1/2"	C51	DNP1 1/2	1 1/2"
DPN-HS07	φ64(70)	2"	G2"	C63	DNP2	2"
DPN-HS08	φ51(50)	2 1/2"	G2 1/2"	C75	DNP2 1/2	2 1/2"
DPN-HS09	φ64(70)	3"	G3"		DNP3	3"
DPN-HS10	φ75(80)	4"	G4"		DNP4	4"
DPN-HS11	φ100	5"	G5"		DNP5	5"
DPN-HS12	φ125	6"	G6"		DNP6	6"



# 追求卓越品质 DPJ六方外牙接头



## 技术参数

- ◆ **产品名称:** DPJ六方外牙接头
- ◆ **螺牙规格:** 公制牙 (Metric) , PG牙, G(PF)牙。(螺牙可定制)
- ◆ **产品材质:** 锌合金或铝合金
- ◆ **工作温度:** -40°C至100°C
- ◆ **注:** DPJ顶吊式接头采用优质锌合金压铸、金加工而成, 表面一般采用用镀锌、镀硬铬处理, 特殊场所按  
要求表面处理, 产品外形美观、结构紧密、无气孔、强度高, 与软管、钢管连接, 有密封性好, 防震、防腐、  
防水、防尘等优点。规格大小, 可按设备、箱体、钢管、软管口径、螺纹任意变动。一端接连软管 (钢管) ,  
一端外螺纹连接开关箱、电机、桥架等。订货时请注明软管规格及螺纹尺寸, 例: DPJ 15-G1/2", 一端φ软管,  
另一端G1/2"外螺纹。
- ◆ **Name:** DPJ Hexagonal Female
- ◆ **Thread:** Metric, PG, G(PF) and NPT
- ◆ **Materials:** Zinc alloy or Alluminum Alloy just according to your requirement
- ◆ **Working temperature:** -40°C to 100°C
- ◆ **Features:** DPJ Type Connector is made of hinh quality zinc alloy casting, iron, The surface has been  
galvanized and chrome plated. Special treatment can be made upon special repuirements. The products have a  
beautiful appearance, tense structure, no air buble, high intensity. It joins the flexible conduit and steel pipe. it has  
good performance including better sealant, anti shock, anti corrosion, water proof, and dust proof. The size can be  
adapted according to the equipment, case boby, steel pipe, the diameter flexible conduit and thread. One end  
connects to the flexible conduit (steel pipe) at one end toe outer therad connection switching box, motor and  
shelved at the othe other end. Please mark the specification of flexible conduit and the size of thracd when  
placing the order e.g.: DPJ15-G1/2" connects to φ15 flexible conduit at one end and G1/2" outer ther thread at the  
other end.

# DPJ六方外牙接头

## ◆ DPJ Hexagonal Male

规格灵活可定制  
免费样品提供

产品编号 Code	规格表注 Specification		英制螺纹 厚钢螺纹	薄钢螺纹	公制螺纹	德制
	公制 Metric Units	英制 Imperial Units	Imperial Units Therad Thick Steel Thread	Thin Steel Thread	Metric Units Thread	German Units
PG-DPJ-HM01	φ6		G1/4"	C13	M14*1.5	PG7
PG-DPJ-HM02	φ8	5/16"	G3/8"	C15	M16*1.5	PG9
PG-DPJ-HM03	φ10	1/4"	g3/8"	C15	M16*1.5	PG9
PG-DPJ-HM04	φ12(13)	3/8"	G3/8"	C19	M20*1.5	PG11/PG13.5
PG-DPJ-HM05	φ15 (16)	1/2"	G1/2"	C19	M20*1.5/M24*	PG13.5/PG16
PG-DPJ-HM06	φ20(19)	3/4"	3/4"	C25	M27*2/M24*2	PG21
PG-DPJ-HM07	φ25	1"	G1"	C31	M33*2*M36*2	PG29
PG-DPJ-HM08	φ32	1 1/4"	G1 1/4"	C39	M42*2/M60*2	PG29
PG-DPJ-HM09	φ38(40)	1 1/2"	G1 1/2"	C51	M48*2/M60*2	PG36/PG42
PG-DPJ-HM10	φ51(50)	2"	G2"	C63	M60*2/M72*2	PG48
PG-DPJ-HM11	φ64(70)	2 1/2"	G2 1/2"	C75	M76*2	
PG-DPJ-HM12	φ75(80)	3"	G3"		M88*2	
PG-DPJ-HM13	φ100	4"	G4"		M114*2	
PG-DPJ-HM14	φ125	5"	G5"		M140*2	
PG-DPJ-HM15	φ150	6"	G6"		M164*2	

如需变径螺纹, 请说明使用螺纹尺寸定制  
In case of needs for screw adaptors, please mark the size for tailored production.



# 追求卓越品质 DKJ六方卡套式接头



## 技术参数

- ◆ **产品名称:** DKJ六方卡套式接头
- ◆ **螺牙规格:** 公制牙 (Metric) , PG牙, G(PF)牙。(螺牙可定制)
- ◆ **产品材质:** 锌合金或铝合金
- ◆ **工作温度:** -40°C至100°C
- ◆ **注:** DKJ卡套式接头 一端连接软管 (钢管) ,另一端用顶丝 (1只-3只) 连接无螺纹钢管, 订管请说明软管及钢管规格。例:DKJ15-15B(或DKJ15-1/2)软管, 一端连接15B (1/2")钢管

- ◆ **Name:** Hexagonal Straingt Pipe Coupling
- ◆ **Thread:** Metric,PG,G(PF)and NPT
- ◆ **Materials:**Zinc alloy or Alluminum Alloy just according to your requirement
- ◆ **Working temperature:** -40°C to 100°C
- ◆ **Features:** DKJ Insert Connector connects to flesible conduit(steel pipe)at one end,and to the no thread stee pipe at the other end.Please mark the specification of flexible conduit and steel pipe when piacing the order.E.g:DKJ15-15B(orDKJ15-1/2")connects to 15(1/2)flexible conduitat one end to 15B(1/2")steel pipe at the other end.

# 六方卡套式接头

## ◆ Hexagonal Straingt Pipe Coupling

规格灵活可定制  
免费样品提供

产品编号	规格表注		厚钢管A (水煤气管)			薄钢管B (电线管)		
	Specification		Thick Steel Pipe A Water Gas Tube			Thin Steel Pipe B Wire Tube		
Code	公制 Metric Units	英制 Imperial Units	公称 Metric Units	英称 Imperial Units	外径*壁厚 OD* Theckness	公称 Metric Units	英称 Imperial Units	外径*壁厚 OD* Theckness
DKJ-HS01	φ10	1/4"	#10	1/4"		#12	1/2"	12.76*1.60
DKJ-HS02	φ12 (13)	3/8"	#12	3/8"	17*2.25	#15	5/8"	15.87*1.60
DKJ-HS03	φ15 (16)	1/2"	#15	1/2"	21.25*2.75	#20	3/4"	19.05*1.80
DKJ-HS04	φ20(19)	3/4"	#20	3/4"	26.75*2.75	#25	1"	25.40*1.80
DKJ-HS05	φ25	1"	#25	1"	33.5*3.25	#32	1 1/4"	31.75*1.80
DKJ-HS06	φ32	1 1/4"	#32	1 1/4"	42.25*3.25	#40	1 1/2"	28.10*1.80
DKJ-HS07	φ38(40)	1 1/2"	#40	1 1/2"	48*3.5	#50	2"	50.80*2.0
DKJ-HS08	φ51(50)	2"	#50	2"	60*3.5	#70	2 1/2"	63.50*2.5
DKJ-HS09	φ64(70)	2 1/2"	#70	2 1/2"	75.5*3.75	#80	3"	76.2*3.20
DKJ-HS10	φ75(80)	3"	#80	3"	88.5*4			
DKJ-HS11	φ100	4"	#100	4"	114*4			
DKJ-HS12	φ125	5"	#125	5"	140*4.5			
DKJ-HS13	φ150	6"	#150	6"	165*4.5			



# 追求卓越品质 DGJ六方自固式接头



## 技术参数

- ◆ **产品名称:** DGJ六方自固式接头
- ◆ **螺牙规格:** 公制牙 (Metric) , PG牙, G(PF)牙。(螺牙可定制)
- ◆ **产品材质:** 锌合金或铝合金
- ◆ **工作温度:** -40°C至100°C
- ◆ **注:** DKJ自固式接头 一端连接软管 (钢管) ,另一端用顶丝 (1只-3只) 连接无螺纹钢管, 订管请说明软管及钢管规格。例:DKJ15-15B(或DKJ15-1/2)软管, 一端连接15B (1/2")钢管

- ◆ **Name:** DGJ Hexagonal Ferrle Union Joints
- ◆ **Thread:** Metric,PG,G(PF)and NPT
- ◆ **Materials:**Zinc alloy or Alluminum Alloy just according to your requirement
- ◆ **Working temperature:** -40°C to 100°C
- ◆ **Features:** DGJ Insert Connector connects to flesible conduit(steel pipe)at one end,and to the no thread stee pipe at the other end.Please mark the specification of flexible conduit and steel pipe when piacing the order.E.g:DKJ15-15B(orDKJ15-1/2")connects to 15(1/2)flexible conduitat one end to 15B(1/2")steel pipe at the other end.

## DGJ六方自固式接头

### ◆ Hexagonal Straingt Pipe Coupling

规格灵活可定制  
免费样品提供

产品编号	规格表注		厚钢管A (水煤气管)			薄钢管B (电线管)		
	Specification		Thick Steel Pipe A Water Gas Tube			Thin Steel Pipe B Wire Tube		
Code	公制 Metric Units	英制 Imperial Units	公称 Metric Units	英称 Imperial Units	外径*壁厚 OD* Theckness	公称 Metric Units	英称 Imperial Units	外径*壁厚 OD* Theckness
DGJ-HS01	φ10	1/4"	#10	1/4"		#12	1/2"	12.76*1.60
DGJ-HS02	φ12 (13)	3/8"	#12	3/8"	17*2.25	#15	5/8"	15.87*1.60
DGJ-HS03	φ15 (16)	1/2"	#15	1/2"	21.25*2.75	#20	3/4"	19.05*1.80
DGJ-HS04	φ20(19)	3/4"	#20	3/4"	26.75*2.75	#25	1"	25.40*1.80
DGJ-HS05	φ25	1"	#25	1"	33.5*3.25	#32	1 1/4"	31.75*1.80
DGJ-HS06	φ32	1 1/4"	#32	1 1/4"	42.25*3.25	#40	1 1/2"	28.10*1.80
DGJ-HS07	φ38(40)	1 1/2"	#40	1 1/2"	48*3.5	#50	2"	50.80*2.0
DGJ-HS08	φ51(50)	2"	#50	2"	60*3.5	#70	2 1/2"	63.50*2.5
DGJ-HS09	φ64(70)	2 1/2"	#70	2 1/2"	75.5*3.75	#80	3"	76.2*3.20
DGJ-HS10	φ75(80)	3"	#80	3"	88.5*4			
DGJ-HS11	φ100	4"	#100	4"	114*4			
DGJ-HS12	φ125	5"	#125	5"	140*4.5			
DGJ-HS13	φ150	6"	#150	6"	165*4.5			



# 追求卓越品质 DPJ梅花外牙接头



## 技术参数

- ◆ **产品名称:** DPJ梅花外牙接头
- ◆ **螺牙规格:** 公制牙 (Metric) , PG牙, G(PF)牙。(螺牙可定制)
- ◆ **产品材质:** 锌合金或铝合金
- ◆ **工作温度:** -40°C至100°C
- ◆ **注:** DPJ端式接头采用优质锌合金压铸、金加工而成, 表面一般采用用镀锌、镀硬铬处理, 特殊场所按  
要求表面处理, 产品外形美观、结构紧密、无气孔、强度高, 与软管、钢管连接, 有密封性好, 防震、防腐、  
防水、防尘等优点。规格大小, 可按设备、箱体、钢管、软管口径、螺纹任意变动。一端接连软管 (钢管) ,  
一端外螺纹连接开关箱、电机、桥架等。订货时请注明软管规格及螺纹尺寸, 例: DPJ 15-G1/2", 一端φ软管,  
另一端G1/2"外螺纹。
- ◆ **Name:** DPJ Plum Male
- ◆ **Thread:** Metric, PG, G(PF) and NPT
- ◆ **Materials:** Zinc alloy or Alluminum Alloy just according to your requirement
- ◆ **Working temperature:** -40°C to 100°C
- ◆ **Features:** DPJ Type Connector is made of hinh quality zinc alloy casting, iron, The surface has been  
galvanized and chrome plated. Special treatment can be made upon special repuirements. The products have a  
beautiful appearance, tense structure, no air buble, high intensity. It joins the flexible conduit and steel pipe. it has  
good performance including better sealant, anti shock, anti corrosion, water proof, and dust proof. The size can be  
adapted according to the equipment, case boby, steel pipe, the diameter flexible conduit and thread. One end  
connects to the flexible conduit (steel pipe) at one end toe outer therad connection switching box, motor and  
shelved at the othe other end. Please mark the specification of flexible conduit and the size of thracd when  
placing the order e.g.: DPJ15-G1/2" connects to φ15 flexible conduit at one end and G1/2" outer ther thread at the  
other end.

## DPJ梅花外牙接头

### ◆ DPJ Plum Male

规格灵活可定制  
免费样品提供

产品编号 Code	规格表注 Specification		英制螺纹 厚钢螺纹	薄钢螺纹	公制螺纹	德制
	公制 Metric Units	英制 Imperial Units	Imperial Units Therad Thick Steel Thread	Thin Steel Thread	Metric Units Thread	German Units
PG-DPJ-PM01	φ6		G1/4"	C13	M14*1.5	PG7
PG-DPJ-PM02	φ8	5/16"	G3/8"	C15	M16*1.5	PG9
PG-DPJ-PM03	φ10	1/4"	g3/8"	C15	M16*1.5	PG9
PG-DPJ-PM04	φ12(13)	3/8"	G3/8"	C19	M20*1.5	PG11/PG13.5
PG-DPJ-PM05	φ15 (16)	1/2"	G1/2"	C19	M20*1.5/M24*	PG13.5/PG16
PG-DPJ-PM06	φ20(19)	3/4"	3/4"	C25	M27*2/M24*2	PG21
PG-DPJ-PM07	φ25	1"	G1"	C31	M33*2/M36*2	PG29
PG-DPJ-PM08	φ32	1 1/4"	G1 1/4"	C39	M42*2/M60*2	PG29
PG-DPJ-PM09	φ38(40)	1 1/2"	G1 1/2"	C51	M48*2/M60*2	PG36/PG42
PG-DPJ-PM10	φ51(50)	2"	G2"	C63	M60*2/M72*2	PG48
PG-DPJ-PM11	φ64(70)	2 1/2"	G2 1/2"	C75	M76*2	
PG-DPJ-PM12	φ75(80)	3"	G3"		M88*2	
PG-DPJ-PM13	φ100	4"	G4"		M114*2	
PG-DPJ-PM14	φ125	5"	G5"		M140*2	
PG-DPJ-PM15	φ150	6"	G6"		M164*2	

如需变径螺纹, 请说明使用螺纹尺寸定制  
In case of needs for screw adaptors, please mark the size for tailored production.



# 追求卓越品质 DPN梅花内牙接头



## 技术参数

- ◆ **产品名称:** DPN梅花内牙接头
- ◆ **螺牙规格:** 公制牙 (Metric) , PG牙, G(PF)牙。(螺牙可定制)
- ◆ **产品材质:** 锌合金或铝合金
- ◆ **工作温度:** -40°C至100°C
- ◆ **注:** DPN内牙式接头 一端连接软管 (钢管) ,另一端用顶丝 (1只-3只) 连接无螺纹钢管, 订管请说明软管及钢管规格。例:DKJ15-15B(或DKJ15-1/2)软管, 一端连接15B (1/2")钢管

- ◆ **Name:** DGJ Hexagonal Ferrle Union Joints
- ◆ **Thread:** Metric,PG,G(PF)and NPT
- ◆ **Materials:**Zinc alloy or Alluminum Alloy just according to your requirement
- ◆ **Working temperature:** -40°C to 100°C
- ◆ **Features:** DPN female Connector connects to flesible conduit(steel pipe)at one end,and to the no thread stee pipe at the other end.Please mark the specification of flexible conduit and steel pipe when piacing the order.E.g:DKJ15-15B(orDKJ15-1/2")connects to 15(1/2)flexible conduitat one end to 15B(1/2")steel pipe at the other end.

## DPN梅花内牙接头

### ◆ DPN Plum Female

规格灵活可定制  
免费样品提供

产品编号	规格表注 Specification		厚钢管A (水煤气管) Thick Steel Pipe A(Water Gas Tube)		NCJ内插式配 用厚钢管	
	Code	公制 Metric Units	英制 Imperial Units	英称 Imperial Units	薄钢 Thin Steel	DPN
DPN-PF01	φ 12	3/8"	G3/8"	C19	DPN3/8	3/8"
DPN-PF02	φ 15 (16)	1/2"	G1/2"	C19	DPN1/2	1/2"
DPN-PF03	φ 20(19)	3/4"	3/4"	C25	DPN3/4	3/4"
DPN-PF04	φ 25	1"	G1"	C31	DPN1	1"
DPN-PF05	φ 32	1 1/4"	G1 1/4"	C39	DPN1 1/4	1 1/4"
DPN-PF06	φ 38(40)	1 1/2"	G1 1/2"	C51	DPN1 1/2	1 1/2"
DPN-PF07	φ 51(50)	2"	G2"	C63	DPN2	2"
DPN-PF08	φ 64(70)	2 1/2"	G2 1/2"	C75	DPN2 1/2	2 1/2"
DPN-PF09	φ 75(80)	3"	G3"		DPN3	3"
DPN-PF10	φ 100	4"	G4"		DPN4	4"
DPN-PF11	φ 125	5"	G5"		DPN5	5"
DPN-PF12	φ 150	6"	G6"		DPN6	6"

如需变径螺纹, 请说明使用螺纹尺寸定制  
In case of needs for screw adaptors,please mark the size for tailored production.



# 追求卓越品质 DKJ梅花卡套式接头



## 技术参数

- ◆ **产品名称:** DKJ梅花卡套式接头
- ◆ **螺牙规格:** 公制牙 (Metric) , PG牙, G(PF)牙。(螺牙可定制)
- ◆ **产品材质:** 锌合金或铝合金
- ◆ **工作温度:** -40°C至100°C
- ◆ **注:** DKJ卡套式接头 一端连接软管 (钢管) ,另一端用顶丝 (1只-3只) 连接无螺纹钢管, 订管请说明软管及钢管规格。例:DKJ15-15B(或DKJ15-1/2)软管, 一端连接15B (1/2")钢管

- ◆ **Name:** DKJ Plum Straight Pipe Coupling
- ◆ **Thread:** Metric,PG,G(PF)and NPT
- ◆ **Materials:**Zinc alloy or Alluminum Alloy just according to your requirement
- ◆ **Working temperature:** -40°C to 100°C
- ◆ **Features:** DKJ Insert Connector connects to flesible conduit(steel pipe)at one end,and to the no thread stee pipe at the other end.Please mark the specification of flexible conduit and steel pipe when piacing the order.E.g:DKJ15-15B(orDKJ15-1/2")connects to 15(1/2)flexible conduitat one end to 15B(1/2")steel pipe at the other end.

# DKJ梅花卡套式接头

## DKJ Plum Straight Pipe Coupling

规格灵活可定制  
免费样品提供

产品编号	规格表注 Specification		厚钢管A (水煤气管) Thick Steel Pipe A Water Gas Tube			薄钢管B (电线管) Thin Steel Pipe B Wire Tube		
	公制 Metric Units	英制 Imperial Units	公称 Metric Units	英称 Imperial Units	外径*壁厚 OD* Theckness	公称 Metric Units	英称 Imperial Units	外径*壁厚 OD* Theckness
DKJ-PS01	φ10	1/4"	#10	1/4"		#12	1/2"	12.76*1.60
DKJ-PS02	φ12 (13)	3/8"	#12	3/8"	17*2.25	#15	5/8"	15.87*1.60
DKJ-PS03	φ15 (16)	1/2"	#15	1/2"	21.25*2.75	#20	3/4"	19.05*1.80
DKJ-PS04	φ20(19)	3/4"	#20	3/4"	26.75*2.75	#25	1"	25.40*1.80
DKJ-PS05	φ25	1"	#25	1"	33.5*3.25	#32	1 1/4"	31.75*1.80
DKJ-PS06	φ32	1 1/4"	#32	1 1/4"	42.25*3.25	#40	1 1/2"	28.10*1.80
DKJ-PS07	φ38(40)	1 1/2"	#40	1 1/2"	48*3.5	#50	2"	50.80*2.0
DKJ-PS08	φ51(50)	2"	#50	2"	60*3.5	#70	2 1/2"	63.50*2.5
DKJ-PS09	φ64(70)	2 1/2"	#70	2 1/2"	75.5*3.75	#80	3"	76.2*3.20
DKJ-PS10	φ75(80)	3"	#80	3"	88.5*4			
DKJ-PS11	φ100	4"	#100	4"	114*4			
DKJ-PS12	φ125	5"	#125	5"	140*4.5			
DKJ-PS13	φ150	6"	#150	6"	165*4.5			



# 追求卓越品质 DGJ梅花自固式接头



## 技术参数

- ◆ **产品名称:** DGJ梅花自固式接头
- ◆ **螺牙规格:** 公制牙 (Metric) , PG牙, G(PF)牙。(螺牙可定制)
- ◆ **产品材质:** 锌合金或铝合金
- ◆ **工作温度:** -40°C至100°C
- ◆ **注:** DGJ自固式接头 一端连接软管 (钢管) ,另一端用顶丝 (1只-3只) 连接无螺纹钢管, 订管请说明软管及钢管规格。例:DKJ15-15B(或DKJ15-1/2)软管, 一端连接15B (1/2")钢管

- ◆ **Name:** DKJ Plum Straight Pipe Coupling
- ◆ **Thread:** Metric,PG,G(PF)and NPT
- ◆ **Materials:**Zinc alloy or Alluminum Alloy just according to your requirement
- ◆ **Working temperature:** -40°C to 100°C
- ◆ **Features:** DGJ Ferrule Tube Union Jointsconnect to flesible conduit(steel pipe)at one end,and to the no thread stee pipe at the other end.Please mark the specification of flexible conduit and steel pipe when piacing the order.E.g:DKJ15-15B(orDKJ15-1/2")connects to 15(1/2)flexible conduitat one end to 15B(1/2") steel pipe at the other end.

## DGJ梅花自固式接头

### ◆ DGJ Plum Ferrule Tube Joints

规格灵活可定制  
免费样品提供

产品编号	规格表注		厚钢管A (水煤气管)			薄钢管B (电线管)		
	Specification		Thick Steel Pipe A Water Gas Tube			Thin Steel Pipe B Wire Tube		
Code	公制 Metric Units	英制 Imperial Units	公称 Metric Units	英称 Imperial Units	外径*壁厚 OD* Theckness	公称 Metric Units	英称 Imperial Units	外径*壁厚 OD* Theckness
DGJ-PF01	φ10	1/4"	#10	1/4"		#12	1/2"	12.76*1.60
DGJ-PF02	φ12 (13)	3/8"	#12	3/8"	17*2.25	#15	5/8"	15.87*1.60
DGJ-PF03	φ15 (16)	1/2"	#15	1/2"	21.25*2.75	#20	3/4"	19.05*1.80
DGJ-PF04	φ20(19)	3/4"	#20	3/4"	26.75*2.75	#25	1"	25.40*1.80
DGJ-PF05	φ25	1"	#25	1"	33.5*3.25	#32	1 1/4"	31.75*1.80
DGJ-PF06	φ32	1 1/4"	#32	1 1/4"	42.25*3.25	#40	1 1/2"	28.10*1.80
DGJ-PF07	φ38(40)	1 1/2"	#40	1 1/2"	48*3.5	#50	2"	50.80*2.0
DGJ-PF08	φ51(50)	2"	#50	2"	60*3.5	#70	2 1/2"	63.50*2.5
DGJ-PF09	φ64(70)	2 1/2"	#70	2 1/2"	75.5*3.75	#80	3"	76.2*3.20
DGJ-PF10	φ75(80)	3"	#80	3"	88.5*4			
DGJ-PF11	φ100	4"	#100	4"	114*4			
DGJ-PF12	φ125	5"	#125	5"	140*4.5			
DGJ-PF-13	φ150	6"	#150	6"	165*4.5			



# 追求卓越品质 金属多孔电缆接头



## 技术参数



- ◆ **螺牙规格:** 公制牙 (Metric) , PG牙, G(PF)牙及NPT牙。(螺牙可定制)
- ◆ **产品材质:** A、C、F部分采用铜合金镀镍制成, 夹紧爪部分以UL认可之尼龙PA66制成 (防火等级UL 94V-2) 夹紧圈、O型圈部分采用丁青橡胶制成。
- ◆ **防水等级:** IP68-10。
- ◆ **工作温度:** 静态-40°C至100°C, 或瞬间可耐热至120°C。动态-20°C至80°C, 或瞬间可耐热至100°C。
- ◆ **产品特性:** 特殊设计的夹紧圈与夹紧爪, 迫紧螺帽带松紧扣, 夹紧电缆范围大, 抗拉力强, 可防水, 防尘, 抗盐, 耐弱酸, 酒精, 油, 油脂及一般溶剂。
- ◆ **Thread:** Metric,PG,G(PF),(NPT)
- ◆ **Materials:** Brass with nickel plated for A.C.F parts,UL approved Nylon PA66(Flammability UL94-2)for Epart, EPDM rubber for B.D parts.
- ◆ **Protection degree:** IP68-10
- ◆ **Working temperature:** -40°C to 100°C,in state instaneous heat resistance up to 120 °C. -20°C to 80°Cin dynamic state Instantaneous heat resistance up to 100°C.
- ◆ **Features:** The claws and seals of excellent design.Sealing nut have a "click" sound and re-open, can hold cable firmly and have a wider cable range.Resistant to salt water,weak acid,alcohol,oil, grease and common solvency.

## 电缆接头 分解示意图



## 金属多孔电缆接头-二孔

◆ 公制牙(Metric) / 德制牙(PG) / 英制牙(G) / 美制牙(NPT)

规格灵活可定制  
免费样品提供

多孔规格 Spec	产品编号 Code	螺纹规格 Thread AG	适用电缆 Cable range (mm)	螺纹外径 Thread O.D(mm)	螺纹长度 Thread length GL (mm)	扳手径 Spanner Size (mm)
	M12-H2	M12*1.5	3-1.2	12	7	14
	M16-H2	M16*1.5	4-1.6	16	8	18
	M18-H2	M18*1.5	3.5-2	18	8	20
	M20A-H2	M20*1.5	5.3-1.5	20	8	22
	M20B-H2	M20*1.5	3.5-2	20	8	22
	M22-H2	M22*1.5	6-2.5	22	8	24
	M25-H2	M25*1.5	8.7-4	25	9	30
	M32-H2	M32*1.5	10-5	32	9	35
	PG7-H2	PG7	3-1.2	12.5	8	14
	PG9-H2	PG9	4-1.6	15.2	8	17
	PG11-H2	PG11	3.5-2	18.6	8	20
	PG13.5-H2	PG13.5	5.3-1.5	20.4	8	22
	PG16-H2	PG16	6-2.5	22.5	8	24
	PG21-H2	PG21	8.7-4.5	28.3	9	30
	PG29-H2	PG29	10-5	37	10	40
	G1/4-H2	G1/4	3-1.2	13.1	7	14
	G3/8-H2	G3/8	4-1.6	16.6	8	18
	G1/2A-H2	G1/2	3.5-2	20.9	8	22
	G1/2B-H2	G1/2	5.3-1.5	20.9	8	22
	G3/4-H2	G3/4	8.7-4.5	26.4	9	30
	G1-H2	G1	10-5	33.2	10	35
	N3/8-H2	NPT3/8	4-1.6	17	8	18
	N1/2A-H2	NPT1/2	3.5-2	21.2	8	22
	N1/2B-H2	NPT1/2	5.3-1.5	21.2	8	22
	N3/4-H2	NPT3/4	8.7-4.5	26.5	9	30
	N1-H2	NPT1	10-5	33.2	10	35





## 金属多孔电缆接头-三孔

◆ 公制牙(Metric) / 德制牙(PG) / 英制牙(G) / 美制牙(NPT)

规格灵活可定制  
免费样品提供

多孔规格 Spec	产品编号 Code	螺纹规格 Thread AG	适用电缆 Cable range (mm)	螺纹外径 Thread O.D(mm)	螺纹长度 Thread length GL (mm)	扳手径 Spanner Size (mm)
	M12-H3	M12*1.5	2.6-1.2	12	7	14
	M16-H3	M16*1.5	2.6-1.2	16	8	18
	M18-H3	M18*1.5	4-1.6	18	8	20
	M20A-H3	M20*1.5	5-2	20	8	22
	M20B-H3	M20*1.5	3.5-1.5	20	8	22
	M22-H3	M22*1.5	3.5-1.5	22	8	24
	M25-H3	M25*1.5	8-4	25	9	30
	M32-H3	M32*1.5	10-5	32	9	35
	PG7-H3	PG7	2.6-1.2	12.5	8	14
	PG9-H3	PG9	2.6-1.2	15.2	8	17
	PG11-H3	PG11	4-1.6	18.6	8	20
	PG13.5-H3	PG13.5	5-2	20.4	8	22
	PG16-H3	PG16	3.5-1.5	22.5	8	24
	PG21-H3	PG21	5-2	28.3	9	30
	PG29-H3	PG29	10-5	37	10	40
	G1/4-H3	G1/4	2.6-1.2	13.1	7	14
	G3/8-H3	G3/8	4-1.6	16.6	8	18
	G1/2A-H3	G1/2	5-2	20.9	8	22
	G1/2B-H3	G1/2	3.5-1.5	20.9	8	22
	G3/4-H3	G3/4	8-4	26.4	9	30
	G1-H3	G1	10-5	33.2	10	35
	N3/8-H3	NPT3/8	4-1.6	17	8	18
	N1/2A-H3	NPT1/2	3.5-1.5	21.2	8	22
	N1/2B-H3	NPT1/2	5-2	21.2	8	22
	N3/4-H3	NPT3/4	8-4	26.5	9	30
	N1-H3	NPT1	10-5	33.2	10	35



## 金属多孔电缆接头-四孔

◆ 公制牙(Metric) / 德制牙(PG) / 英制牙(G) / 美制牙(NPT)

规格灵活可定制  
免费样品提供

多孔规格 Spec	产品编号 Code	螺纹规格 Thread AG	适用电缆 Cable range (mm)	螺纹外径 Thread O.D(mm)	螺纹长度 Thread length GL (mm)	扳手径 Spanner Size (mm)
	M12-H4	M12*1.5	2.3-1	12	7	14
	M16-H4	M16*1.5	2.3-1	16	8	18
	M18-H4	M18*1.5	3-1.2	18	8	20
	M20A-H4	M20*1.5	4.2-1.7	20	8	22
	M20B-H4	M20*1.5	3.5-1.5	20	8	22
	M22-H4	M22*1.5	4.5-2	22	8	24
	M25-H4	M25*1.5	5-2	25	9	30
	M32-H4	M32*1.5	9-4.5	32	9	35
	PG7-H4	PG7	2.3-1	12.5	8	14
	PG9-H4	PG9	2.3-1	15.2	8	17
	PG11-H4	PG11	3-1.2	18.6	8	20
	PG13.5-H4	PG13.5	4.2-1.7	20.4	8	22
	PG16-H4	PG16	4.5-2	22.5	8	24
	PG21-H4	PG21	7-3.5	28.3	9	30
	PG29-H4	PG29	9-4.5	37	10	40
	G1/4-H4	G1/4	2.3-1	13.1	7	14
	G3/8-H4	G3/8	3-1.2	16.6	8	18
	G1/2A-H4	G1/2	3.5-1.5	20.9	8	22
	G1/2B-H4	G1/2	4.5-2	20.9	8	22
	G3/4-H4	G3/4	7-3.5	26.4	9	30
	G1-H4	G1	9-4.5	33.2	10	35
	N3/8-H4	NPT3/8	2.3-1	17	8	18
	N1/2A-H4	NPT1/2	3.5-1.5	21.2	8	22
	N1/2B-H4	NPT1/2	4.5-2	21.2	8	22
	N3/4-H4	NPT3/4	7-3.5	26.5	9	30
	N1-H4	NPT1	9-4.5	33.2	10	35





## 金属多孔电缆接头-五孔

◆ 公制牙(Metric) / 德制牙(PG) / 英制牙(G) / 美制牙(NPT)

规格灵活可定制  
免费样品提供

多孔规格 Spec	产品编号 Code	螺纹规格 Thread AG	适用电缆 Cable range (mm)	螺纹外径 Thread O.D(mm)	螺纹长度 Thread length GL (mm)	扳手径 Spanner Size (mm)
	M16-H5	M16*1.5	2.5-1	16	8	18
	M20A-H5	M20*1.5	3-1.2	20	8	22
	M20B-H5	M20*1.5	4.2-1.7	20		22
	M25A-H5	M25*1.5	3.5-1.5	25	9	30
	M25B-H5	M25*1.5	6-3	25	9	30
	M32-H5	M32*1.5	8-4	32	9	35
	PG9-H5	PG9	2.5-1	15.2	8	17
	PG13.5A-H5	PG13.5	3-1.2	20.4	8	22
	PG13.5B-H5	PG13.5	4.2-1.7	20.4	8	22
	PG21A-H5	PG21	3.5-1.5	28.3	9	30
	PG21B-H5	PG21	6-3	28.3	9	30
	PG29-H5	PG29	8-4	37	10	40
	G3/8-H5	G3/8	2.5-1	16.6	8	18
	G1/2A-H5	G1/2	3-1.2	20.9	8	22
	G1/2B-H5	G1/2	4.2-1.7	20.9	8	22
	G3/4-H5	G3/4	6-3	26.4	9	30
	G1-H5	G1	8-4	33.2	10	35
	N3/8-H5	NPT3/8	2.5-1	17	8	18
	N1/2A-H5	NPT1/2	3-1.2	21.2	8	22
	N1/2B-H5	NPT1/2	4.2-1.7	21.2	8	22
	N3/4-H5	NPT3/4	6-3	26.5	9	30
	N1-H5	NPT1	8-4	33.2	10	35



## 金属多孔电缆接头-六孔

◆ 公制牙(Metric) / 德制牙(PG) / 英制牙(G) / 美制牙(NPT)

规格灵活可定制  
免费样品提供

多孔规格 Spec	产品编号 Code	螺纹规格 Thread AG	适用电缆 Cable range (mm)	螺纹外径 Thread O.D(mm)	螺纹长度 Thread length GL (mm)	扳手径 Spanner Size (mm)
	M16-H6	M16*1.5	2-1	16	8	18
	M20-H6	M20*1.5	3-1.2	20	8	22
	M25A-H6	M25*1.5	3.5-1.5	25	9	30
	M25B-H6	M25*1.5	5.3-2.4	25	9	30
	M32-H6	M32*1.5	7-3.5	32	9	35
	PG9-H6	PG9	2-1	15.2	8	17
	PG13.5-H6	PG13.5	3-1.2	20.4	8	22
	PG21A-H6	PG21	3.5-1.5	28.3	9	30
	PG21B-H6	PG21	5.3-2.4	28.3	9	30
	PG29-H6	PG29	7-3.5	37	10	40
	G3/8-H6	G3/8	2-1	16.6	8	18
	G1/2-H6	G1/2	3-1.2	20.9	8	22
	G3/4A-H6	G3/4	3.5-1.5	26.4	9	30
	G3/4B-H6	G3/4	5.3-2.4	26.4	9	30
	G1-H6	G1	7-3.5	33.2	10	35
	N3/8-H6	NPT3/8	2-1	17	8	18
	N1/2-H6	NPT1/2	3-1.2	21.2	8	22
	N3/4-H6	NPT3/4	3.5-1.5	26.5	9	30
	N3/4-H6	NPT3/4	5.3-2.4	26.5	9	30
	N1-H6	NPT1	7-3.5	33.2	10	35





## 金属多孔电缆接头-七孔、八孔

◆ 公制牙(Metric) / 德制牙(PG) / 英制牙(G) / 美制牙(NPT)

规格灵活可定制  
免费样品提供

多孔规格 Spec	产品编号 Code	螺纹规格 Thread AG	适用电缆 Cable range (mm)	螺纹外径 Thread O.D(mm)	螺纹长度 Thread length GL (mm)	扳手径 Spanner Size (mm)
	M20-H7	M20*1.5	3-1.2	20	8	22
	M25-H7	M25*1.5	3.5-1.5	25	9	30
	M32-H7	M32*1.5	6-3	32	9	35
	PG13.5-H7	PG13.5	3-1.2	20.4	8	22
	PG21-H7	PG21	3.5-1.5	28.3	9	30
	PG29-H7	PG29	6-3	37	10	40
	G1/2-H7	G1/2	3-1.2	20.9	8	22
	G3/4-H7	G3/4	3.5-1.5	26.4	9	30
	G1-H7	G1	6-3	33.2	10	35
	N1/2-H7	NPT1/2	3-1.2	21.2	8	22
	N3/4-H7	NPT3/4	3.5-1.5	26.5	9	30
	N1-H7	NPT1	6-3	33.2	10	35
	M20-H8	M20*1.5	2.8-1	20	8	22
	M25-H8	M25*1.5	3.5-1.5	25	9	30
	G1/2-H8	G1/2	2.8-1	20.9	8	22
	G3/4-H8	G3/4	3.5-1.5	26.4	9	30
	PG13.5-H8	PG13.5	2.8-1	20.4	8	22
	PG21-H8	PG21	3.5-1.5	28.3	9	30
	N1/2-H8	NPT1/2	2.8-1	21.2	8	22
	N3/4-H8	NPT3/4	3.5-1.5	26.5	9	30



## 追求卓越品质 金属硅胶电缆接头



### 技术参数

- ◆ **产品名称:** 金属硅胶电缆接头
- ◆ **螺牙规格:** 公制牙 (Metric), PG牙, G(PF)牙及NPT牙。(螺牙可定制)
- ◆ **产品材质:** F迫紧帽、C主体、A螺母以铜合金镀镍制成, 夹紧爪部分以UL认可之尼龙PA66制成 (防火等级UL 94V-2) 夹紧圈、O型圈部分采用硅胶制成。
- ◆ **防水等级:** IP68-10
- ◆ **工作温度:** 静态-40°C至100°C, 或瞬间可耐热至120°C。动态-20°C至80°C, 或瞬间可耐热至100°C。
- ◆ **产品特性:** 特殊设计的夹紧圈与夹紧爪, 迫紧螺帽带松紧扣, 夹紧电缆范围大, 抗拉力强, 可防水, 防尘, 抗盐, 耐弱酸, 酒精, 油, 油脂及一般溶剂。
- ◆ **Name:** Silicon rubber insert type Cable Gland
- ◆ **Thread:** Metric,PG,G(PF),(NPT)
- ◆ **Materials:** Brass with nickel plated for A.C.F parts,UL approved Nylon PA66(Flammability UL94-2)for Epart, EPDM rubber for B.D parts
- ◆ **Protection degree:** IP68-10
- ◆ **Working temperature:** -40°C to 100°C,in state instaneous heat resistance up to 120 °C, -20°C to 80°Cin dynamic state Instantaneous heat resistance up to 100°C.
- ◆ **Features:** The claws and seals of excellent design.Sealing nut have a "click" sound and re-open, can hold cable firmly and have a wider cable range.Resistant to salt water,weak acid,alcohol,oil, grease and common solvency.



## 金属硅胶电缆接头

### ◆ 公制牙(Metric)

规格灵活可定制  
免费样品提供

螺牙规格 Thread	产品编号 Code	适用电缆 Cable	螺纹外径 Thread O.D C1	螺纹长度 Thread Length C2	扳手径 Spanner Size A\$F	包装 Std.Pkg. Pcs
M8×0.5	1	5-5.5	8	4	12/11	50
M8×0.5	2	3-4.5	8	4	12/11	50
M10×1.5	3	4-5.5	10	6	14/14	50
M10×1.5	4	4-6.2	10	6	14/14	50
M12×1.5	5	5-6.5	12	4	14/16	50
M12×1.5	6	4.5-7.8	12	5.5	14/15	50
M12×1.5	8	5-6.5	12	6	15/15	50
M12×1.5	9	4.5-6.5	12	6	14/16	50
M12×1.5	10	6.5-8	12	8	14/16	50
M12×1.5	11	6.5-8	12	8	14/16	50
M16×1.5	12	6.5-8	16	9	18/18	50
M16×1.5	13	6.5-8	16	9	18/18	50
M16×1.5	14	8-10	16	9	18/20	50

品基电子



追求卓越品质  
专业打造金属闷盖



### 技术参数

- ◆ 产品名称: 金属六角闷盖
- ◆ 螺牙规格: 公制牙 (Metric) , PG牙, 符合欧盟规范。
- ◆ 产品材质: 黄铜镀镍
- ◆ 防水等级: IP54、IP68
- ◆ 工作温度: 静态-40°C至100°C
- ◆ 注: 特殊规格请联系工厂
- ◆ Name: Brass Screw Cap
- ◆ Thread: Metric, PG, G(PF)
- ◆ Materials: Brass with nickel plated
- ◆ Protection degree: IP68-10
- ◆ Working temperature: -40°C to 100°C,
- ◆ Features: Special specifications please contact us

### 电缆接头 分解示意图





## 金属闷盖-六角系列

◆ 公制牙(Metric) / 德制牙(PG)

规格灵活可定制  
免费样品提供

六角系列 Hexagon	螺纹规格 Thread AG	螺纹长度 Thread Length	高度 Height	扳手径 Spanner Size	包装 Std.Pkg.Pcs
PJ-M12H	M12	5	8	14	50
PJ-M14H	M14	5	9	17	50
PJ-M16H	M16	6	9	17	50
PJ-M18H	M18	6	9.5	20	50
PJ-M20H	M20	6.5	9.5	22	50
PJ-M22H	M22	6.5	10	24	50
PJ-M24H	M24	6.5	10	27	50
PJ-M25H	M25	6.5	10	27	50
PJ-M30H	M30	6.5	11	33	50
PJ-M32H	M32	7	12	35	50
PJ-M36H	M36	8	12	39	50
PJ-M40H	M40	8	13	43	50
PJ-M47H	M47	9	15	50	50
PJ-M50H	M50	9	15	55	50
PJ-M54H	M54	10	16	57	50
PJ-M60H	M60	10	16	64	50
PJ-M63H	M63	10	16	66	50
PJ-M72H	M72	10	16	75	50
PJ-PG7H	PG7	5	8	14	50
PJ-PG9H	PG9	6	9	17	50
PJ-PG11H	PG11	6	9	20	50
PJ-PG13.5H	PG13.5	6.5	9.5	22	50
PJ-PG16H	PG16	6.5	9.5	24	50
PJ-PG21H	PG21	7	11	30	50
PJ-PG29H	PG29	8	12	39	50
PJ-PG36H	PG36	9	15	50	50
PJ-PG42H	PG42	10	16	57	50
PJ-PG48H	PG48	10	16	64	50

品基电子



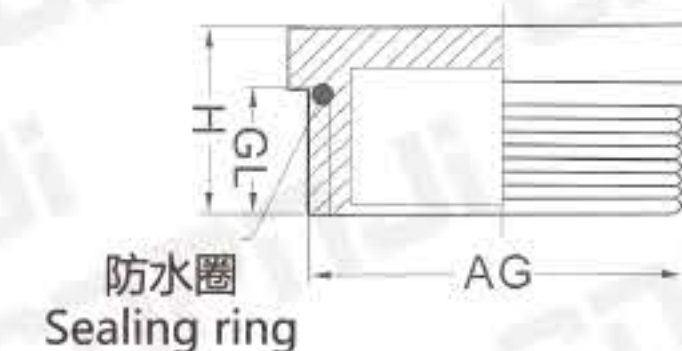
追求卓越品质  
专业打造金属闷盖



### 技术参数

- ◆ 产品名称: 金属圆形闷盖
- ◆ 螺牙规格: 公制牙 (Metric) , PG牙, 符合欧盟规范。
- ◆ 产品材质: 黄铜镀镍
- ◆ 防水等级: IP54、IP68
- ◆ 工作温度: 静态-40°C至100°C
- ◆ 注: 特殊规格请联系工厂
- ◆ Name: Brass Screw Cap
- ◆ Thread: Metric, PG, G(PF)
- ◆ Materials: Brass with nickel plated
- ◆ Protection degree: IP68-10
- ◆ Working temperature: -40°C to 100°C,
- ◆ Features: Special specifications please contact us

### 电缆接头 分解示意图





## 金属闷盖-圆形系列

◆ 公制牙(Metric) / 德制牙(PG)

规格灵活可定制  
免费样品提供

圆形系列 Circle	螺纹规格 Thread AG	螺纹长度 Thread Length	高度 Height	扳手径 Spanner Size	包装 Std.Pkg.Pcs
PJ-M12C	M12	5	8	14	50
PJ-M14C	M14	5	9	17	50
PJ-M16C	M16	6	9	17	50
PJ-M18C	M18	6	9.5	20	50
PJ-M20C	M20	6.5	9.5	22	50
PJ-M22C	M22	6.5	10	24	50
PJ-M24C	M24	6.5	10	27	50
PJ-M25C	M25	6.5	10	27	50
PJ-M30C	M30	6.5	11	33	50
PJ-M32C	M32	7	12	35	50
PJ-M36C	M36	8	12	39	50
PJ-M40C	M40	8	13	43	50
PJ-M47C	M47	9	15	50	50
PJ-M50C	M50	9	15	55	50
PJ-M54C	M54	10	16	57	50
PJ-M60C	M60	10	16	64	50
PJ-M63C	M63	10	16	66	50
PJ-M72C	M72	10	16	75	50
PJ-PG7C	PG7	5	8	14	50
PJ-PG9C	PG9	6	9	17	50
PJ-PG11C	PG11	6	9	20	50
PJ-PG13.5C	PG13.5	6.5	9.5	22	50
PJ-PG16C	PG16	6.5	9.5	24	50
PJ-PG21C	PG21	7	11	30	50
PJ-PG29C	PG29	8	12	39	50
PJ-PG36C	PG36	9	15	50	50
PJ-PG42C	PG42	10	16	57	50
PJ-PG48C	PG48	10	16	64	50

品基电子



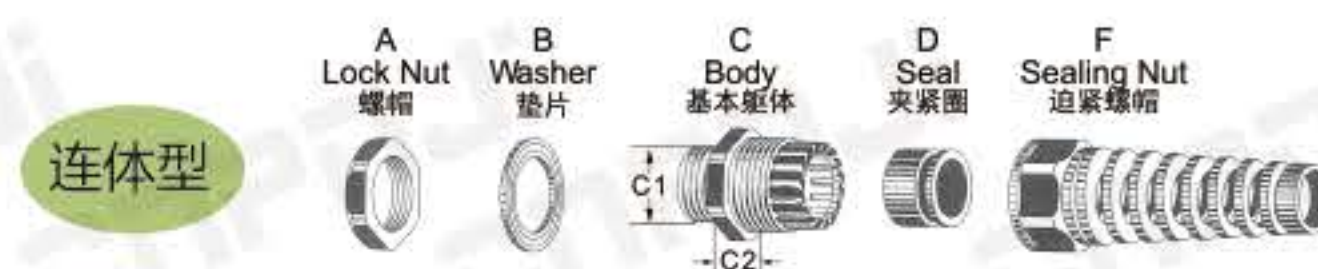
## 追求卓越品质 耐扭式金属电缆接头



### 技术参数

- ◆ **螺牙规格:** 公制牙 (Metric) , PG牙, G(PF)牙及NPT牙。(螺牙可定制)
- ◆ **产品材质:** 壳体部分采用黄铜镀镍, 弹簧部分采用不锈钢或碳钢镀镍。密封圈部分采用丁晴橡胶, 夹紧爪部分采用尼龙制成。
- ◆ **防水等级:** IP68-10。
- ◆ **工作温度:** 静态-40°C至100°C, 或瞬间可耐热至120°C。动态-20°C至80°C, 或瞬间可耐热至100°C。
- ◆ **产品特性:** 螺帽与弹簧的完美连接, 有效增大了接头的扭矩力, 从而保护电缆因高度弯曲或震动造成损伤折断的危险; 抗拉力强, 可防水防尘、抗盐耐酸碱、酒精、油、脂等一般溶剂。
- ◆ **Thread:** Metric,PG,G(PF)and NPT
- ◆ **Materials:** The housing part is nickel plated with brass and the spring part is nickel plated with stainless steel or carbon steel. The sealing ring part is made of nitrile rubber, and the clamping claw part is made of nylon
- ◆ **Protection degree:**IP68-10
- ◆ **Working temperature:** -40°C to 100°C,in state instaneous heat resistance up to 120 °C. -20°C to 80°Cin dynamic state Instantaneous heat resistance up to 100°C.
- ◆ **Features:** The perfect connection between the nut and the spring effectively increases the torque of the joint, thus protecting the cable from breaking due to high bending or vibration. It has strong tensile strength, waterproof, dustproof, salt and acid, alcohol and oil. , general solvents such as lipids.

### 电缆接头 分解示意图



连体型



## 耐扭式金属电缆接头

◆ 公制牙(Metric) / 德制牙(PG) / 英制牙(G) / 美制牙(NPT)

规格灵活可定制  
免费样品提供

螺牙规格 Thread	规格 Sizes	适用电缆 Cable	螺纹长度		扳手径 Spanner Size	包装 Std.Pkg pcs
			C2	A\$F		
M12	M12*1.5	3-6.5	6	14	50	
M16	M16*1.5	4-8	6	18	50	
M18	M18*1.5	5-10	6	20	50	
M20	M20*1.5	6-12	6.5	22	50	
M25	M25*1.5	12-16	7	28	50	
PG7	PG7	3-6.5	5	14	50	
PG9	PG9	4-8	6	18	50	
PG11	PG11	5-10	6	20	50	
PG13.5	PG13.5	6-12	6.5	22	50	
PG16	PG16	10-14	6.5	24	50	
PG21	PG21	13-18	7	30	50	
G1/4	G1/4	3-6.5	6	14	50	
G3/8	G3/8	4-8	7	18	50	
G1/2	G1/2	6-12	8	22	50	
G3/4	G3/4	12-16	11	28	50	
NPT1/4	NPT1/4	3-6.5	6	14	50	
NPT3/8	NPT3/8	4-8	7	18	50	
NPT1/2	NPT1/2	6-12	8	22	50	
NPT3/4	NPT3/4	12-16	11	28	50	



To create high-quality cable wiring equipment  
全力打造精品电缆配线器材

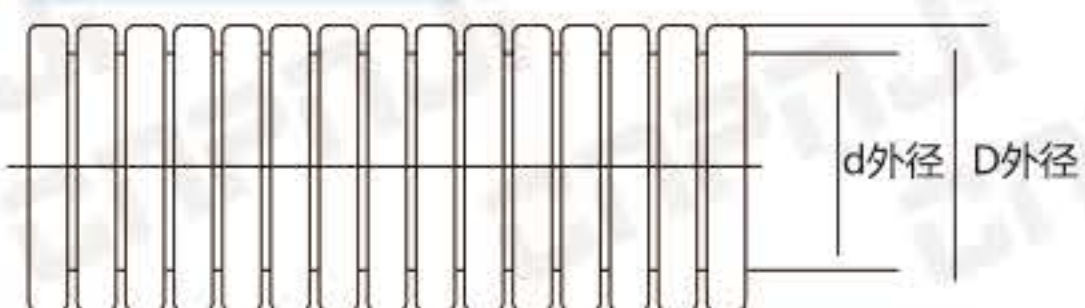


# 追求卓越品质 专业打造尼龙波纹管

## 技术参数

- ◆ **产品名称:** PA尼龙波纹管/PP阻燃聚丙烯波纹管
- ◆ **产品材质:** 尼龙PA66/PP聚丙烯 ◆ **产品结构:** 开口型和闭口型
- ◆ **工作温度:** 静态-40°C至125°C, 或瞬间可耐热至140°C ◆ **颜色:** 黑色, 其他颜色可定制 (根据需要可开口)
- ◆ **产品特性:** 柔韧性好、抗扭曲、弯曲性能好, 可以承受较重的负载; 耐酸、润滑油、冷却液等; 表面有光泽、耐摩擦
- ◆ **承载能力:** 可以承受脚踩的重压, 不不断裂、不变形, 可以迅速恢复, 并且本身无任何损伤
- ◆ **应用领域:** 机械制造、电气绝缘保护、照明设备、汽车制造、航空设备、地铁、火车、自动化控制等行业
- ◆ **Name:** PA Nylon Bellows / Flame retardant PP Flexible Pipes
- ◆ **Materials:** Nylon PA66 / Flame retardant PP ◆ **Product Structure:** Opening and Closing
- ◆ **Working temperature:** -40°C to 120°C, in state instantaneous heat resistance up to 140 °C
- ◆ **Colors:** Black, Other colors can be customized (as needed)
- ◆ **Features:** Good flexibility, twist resistance, good bending performance, can withstand heavier loads; acid resistant, lubricated lubricants, coolant, etc., with luster and friction
- ◆ **Carrying Capacity:** It can withstand the heavy pressure of the foot, without breaking or deformation, it can recover quickly, and there is no damage to itself

## 波纹管 分解示意图



## PA尼龙波纹管

### PA Nylon Bellows

规格灵活可定制  
免费样品提供

软管规格 (AD) Specification	英寸 (inch)	编号 Item.No	内径*外径(mm) Inner diameter*Outer	弯曲半径 (mm) Curved radius	包装 Std, PKg(M)
AD10	1/4	PA-10.0	6.5*10.0	16	100
AD13	5/16	PA-13.0	10.0*13.0	20	100
AD15.8	3/8	PA-15.8	12.0*15.8	30	100
AD18.5		PA-18.5	14.3*18.5	40	100
AD21.2	1/2	PA-21.2	17.0*21.2	45	100
AD25		PA-25	20.0*25.0	45	100
AD28.5	3/4	PA-28.5	23.0*28.5	50	50
AD34.5	1	PA-34.5	29.0*34.5	60	50
AD42.5	1 1/4	PA-42.5	36.0*42.5	70	50
AD54.5	2	PA-54.5	48.0*54.5	90	25

## PP阻燃聚丙烯波纹管

### Flame retardant PP Flexible Pipes

规格灵活可定制  
免费样品提供

软管规格 (AD) Specification	英寸 (inch)	编号 Item.No	内径*外径(mm) Inner diameter*Outer	弯曲半径 (mm) Curved radius	包装 Std, PKg(M)
AD10	1/4	PA-10.0	6.5*10.0	16	100
AD13	5/16	PA-13.0	10.0*13.0	20	100
AD15.8	3/8	PA-15.8	12.0*15.8	30	100
AD18.5		PA-18.5	14.3*18.5	40	100
AD21.2	1/2	PA-21.2	17.0*21.2	45	100
AD25		PA-25	20.0*25.0	45	100
AD28.5	3/4	PA-28.5	23.0*28.5	50	50
AD34.5	1	PA-34.5	29.0*34.5	60	50
AD42.5	1 1/4	PA-42.5	36.0*42.5	70	50
AD54.5	2	PA-54.5	48.0*54.5	90	25



# 追求卓越品质 专业打造尼龙波纹管

## 技术参数

- ◆ **产品名称:** PA阻燃尼龙波纹管/PE聚乙烯波纹管
- ◆ **产品材质:** 尼龙PA66/PE聚乙烯 ◆ **产品结构:** 开口型和闭口型
- ◆ **工作温度:** 静态-40°C至125°C, 或瞬间可耐热至140°C ◆ **颜色:** 黑色, 其他颜色可定制 (根据需要可开口)
- ◆ **产品特性:** 柔韧性好、抗扭曲、弯曲性能好, 可以承受较重的负载; 耐酸、润滑油、冷却液等; 表面有光泽、耐摩擦
- ◆ **承载能力:** 可以承受脚踩的重压, 不不断裂、不变形, 可以迅速恢复, 并且本身无任何损伤
- ◆ **应用领域:** 机械制造、电气绝缘保护、照明设备、汽车制造、航空设备、地铁、火车、自动化控制等行业
- ◆ **Name:** Flame retardant Polyamide / PE Flexible Pipes
- ◆ **Materials:** Flame retardant Polyamide / PE ◆ **Product Structure:** Opening and Closing
- ◆ **Working temperature:** -40°C to 120°C, in state instantaneous heat resistance up to 140 °C
- ◆ **Colors:** Black, Other colors can be customized (as needed)
- ◆ **Features:** Good flexibility, twist resistance, good bending performance, can withstand heavier loads; acid resistant, lubricated lubricants, coolant, etc., with luster and friction
- ◆ **Carrying Capacity:** It can withstand the heavy pressure of the foot, without breaking or deformation, it can recover quickly, and there is no damage to itself

## 波纹管 分解示意图



## 阻燃尼龙波纹管

### ◆ Flame retardant Polyamide Flexible Pipes

规格灵活可定制  
免费样品提供

软管规格 (AD) Specification	英寸 (inch)	编号 Item.No	内径*外径(mm) Inner diameter*Outer	弯曲半径 (mm) Curved radius	包装 Std, PKg(M)
AD10	1/4	PA-10.0	6.5*10.0	16	100
AD13	5/16	PA-13.0	10.0*13.0	20	100
AD15.8	3/8	PA-15.8	12.0*15.8	30	100
AD18.5		PA-18.5	14.3*18.5	40	100
AD21.2	1/2	PA-21.2	17.0*21.2	45	100
AD25		PA-25	20.0*25.0	45	100
AD28.5	3/4	PA-28.5	23.0*28.5	50	50
AD34.5	1	PA-34.5	29.0*34.5	60	50
AD42.5	1 1/4	PA-42.5	36.0*42.5	70	50
AD54.5	2	PA-54.5	48.0*54.5	90	25

## PE聚乙烯波纹管

### ◆ PE Flexible Pipes

规格灵活可定制  
免费样品提供

软管规格 (AD) Specification	英寸 (inch)	编号 Item.No	内径*外径(mm) Inner diameter*Outer	弯曲半径 (mm) Curved radius	包装 Std, PKg(M)
AD10	1/4	PA-10.0	6.5*10.0	16	100
AD13	5/16	PA-13.0	10.0*13.0	20	100
AD15.8	3/8	PA-15.8	12.0*15.8	30	100
AD18.5		PA-18.5	14.3*18.5	40	100
AD21.2	1/2	PA-21.2	17.0*21.2	45	100
AD25		PA-25	20.0*25.0	45	100
AD28.5	3/4	PA-28.5	23.0*28.5	50	50
AD34.5	1	PA-34.5	29.0*34.5	60	50
AD42.5	1 1/4	PA-42.5	36.0*42.5	70	50
AD54.5	2	PA-54.5	48.0*54.5	90	25



# 追求卓越品质 专业打造软管固定支架



## 技术参数



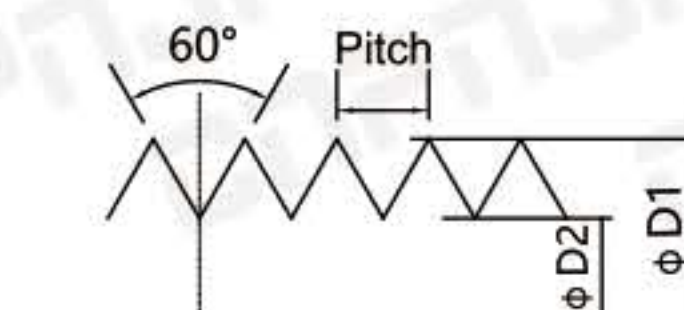
- ◆ **产品名称:** 软管固定支架 ◆ **供应范围:** 带盖与不带盖两种
- ◆ **产品材质:** PA尼龙 ◆ **产品颜色:** 黑色 (特殊颜色可定制)
- ◆ **工作温度:** 静态-40°C至110°C
- ◆ **产品特性:** PJ-VH型固定支架是软管的配套产品, 用于固定软管或线缆等
- ◆ **Name:** Bracket For Flexible Pipe ◆ **Materials:** Nylon PA
- ◆ **Working temperature:** -40°C to 110°C ◆ **Color:** Black. Other colors are customizable
- ◆ **Property:** PJ-VH types bracket is the fitting of flexible pipes, used for securing the flexible pipes or cables, etc

型号 Size	适配软管规格AD Accommodated Pipes		B(mm)	H(mm)	T(mm)	M(mm)	A(mm)
PJ-VH-10.0	AD-10.0	1/4	30	23	12.5	4	6.5
PJ-VH-13	AD-13	5/16	30	23	12.5	4	6.5
PJ-VH-15.8	AD-15.8	3/8	30	23	12.5	4	6.5
PJ-VH-18.5	AD-18.5		0.2	30	15	5	6.5
PJ-VH-21.2	AD-21.2	1/2	35	30	15	5	6.5
PJ-VH-25	AD-25		35	30	15	5	6.5
PJ-VH-28.5	AD-28.5	3/4	42	38	16	6	11.5
PJ-VH-34.5	AD-34.5	1	51	43	16	6	11.5
PJ-VH-42.5	AD-42.5	1 1/4	61	51	16	6	11.5
PJ-VH-54.5	AD-54.5	2	74	64	20	6	11.5

## 技术螺纹规格说明

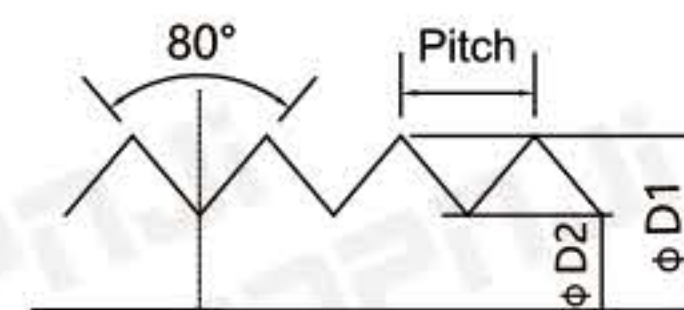
### Technical Information

#### Matric ISO Thread Sprcifications



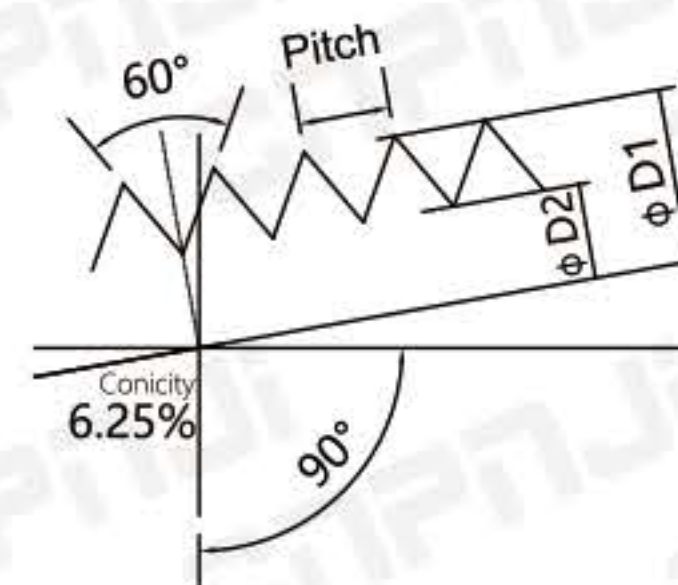
Size	pitch mm	Outside(φ D1) MM	Inside(φ D2) MM	Thru-hole mm
M12×1.5	1.5	12	10.13	12.2
M16×1.5	1.5	16	14.13	16.2
M20×1.5	1.5	20	18.13	20.2
M25×1.5	1.5	25	23.13	25.2
M32×1.5	1.5	32	30.13	32.2
M40×1.5	1.5	40	38.13	40.2
M50×1.5	1.5	50	48.13	50.2
M63×1.5	1.5	63	61.13	63.2

#### PG Thread Specifications



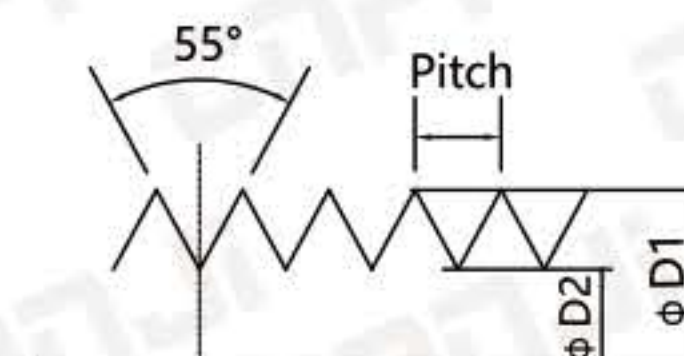
Size	pitch mm	Outside(φ D1) MM	Inside(φ D2) MM	Thru-hole mm
PG 7	1.27	12.5	11.28	12.7
PG 9	1.41	15.2	13.86	15.4
PG 11	1.41	18.6	17.26	18.8
PG 13.5	1.41	20.4	19.06	20.7
PG 16	1.41	22.5	21.16	22.8
PG 21	1.588	28.3	26.78	28.6
PG 29	1.588	37	35.48	37.4
PG 36	1.588	47	45.48	47.5
PG 42	1.588	54	52.48	54.5
PG 48	1.588	59.3	57.78	59.8

#### NPT Thread Specifications



Size	pitch mm	Outside(φ D1) MM	Inside(φ D2) MM	Thru-hole mm
1/4"NPT	1.411	13.716	18	
3/8"NPT	1.411	17.145	18	
1/2"NPT	1.814	21.336	14	
3/4"NPT	1.814	26.67	14	
1"NPT	2.208	33.4	11.5	
1 1/4"NPT	2.208	42.164	11.5	
1 1/2"NPT	2.208	48.28	11.5	
2"NPT	2.208	60.325	11.5	
2 1/2"NPT	3.175	73.025	8	
3"NPT	3.175	88.9	8	
3 1/2"NPT	3.175	101.6	8	

#### British G Thread Specifications



Size	pitch mm	Outside(φ D1) MM	Inside(φ D2) MM	Thru-hole mm
G1/4"	1.337	13.157	11.145	13.4
G3/8"	1.337	16.662	14.95	17
G1/2"	1.814	20.955	18.631	21.3
G5/8"	1.814	26.441	24.117	26.8
G1"	2.309	33.249	30.291	33.7
G1 1/4"	2.309	41.91	38.952	42.4
G1 1/2"	2.309	47.803	44.845	48.3
G2"	2.309	59.614	56.656	62.2
G2 1/2"	3.309	75.184	72.226	75.7
G3"	3.309	87.884	84.826	88.5
G3 1/3"	3.309	100.33	97.372	101
G4"	3.309	113.03	110.072	114