







## 企业简介 Company Profile

上海品基电子科技有限公司是一家专业生产防水盒，防水配电箱，工业插座箱，开关按钮盒，透明保护窗罩，手提式插座配电箱，及尼龙电缆防水接头，金属电缆防水接头，电缆固定头，PE PP PA尼龙波纹管、各规格波纹管快速接头等配线器材的企业。公司拥有雄厚的技术力量和先进的生产设备，严格的质量管理，先进的工艺作保障，不断提升产品质量，努力开拓市场，产品被广泛应用于电力机车，汽车线束，机床机械，电子，电气成套等工业。

公司凭借一流的产品，合理的价格和完善的服务而赢得广大客户的信赖，近几年在国内形成了完善的销售网络，并与日本、南美、西欧等许多国家的客户建立了稳定友好的合作关系。

追求质量是品基永恒的主题，锐意进取、与时俱进是品基人的精神，不断创新是企业的理念，我们真诚愿意和各界朋友一道携手共创美好的未来！

本着“求实、创新”的精神，遵循“以质量求生存，以科技促发展，以产品拓市场”的理念，在全体员工的共同努力下，不断地探索与开拓，公司取得了迅猛发展，产品远销海内外，深受客户的一致好评。

公司贯彻实施ISO9001:2000质量体系，并以合理的价格，准时的交货，及时的服务吸引顾客。愿和世界同行接轨，成为世界性的供方。欢迎光临品基电子！



Shanghai Pinji Electronic Technology Co., Ltd is Specialized in manufacturing the cable glands, flexible pipe, plastic wiring ducts, nylon cable tie and so on. We have advanced production equipment, abundant technical force. Now we have passed the certificate of ISO9001:2000 and most of our products like cable glands have got IP68-10, CE, PAHs and RoHS certificates.

The produces has been widely used into power train, automobile cables, mechanical and machines, engineering and installation etc.

Recently, it forms a complete network for sales in domestic, and also established a good relationship and cooperation with the customers from Japan, South America, Europe and other countries.

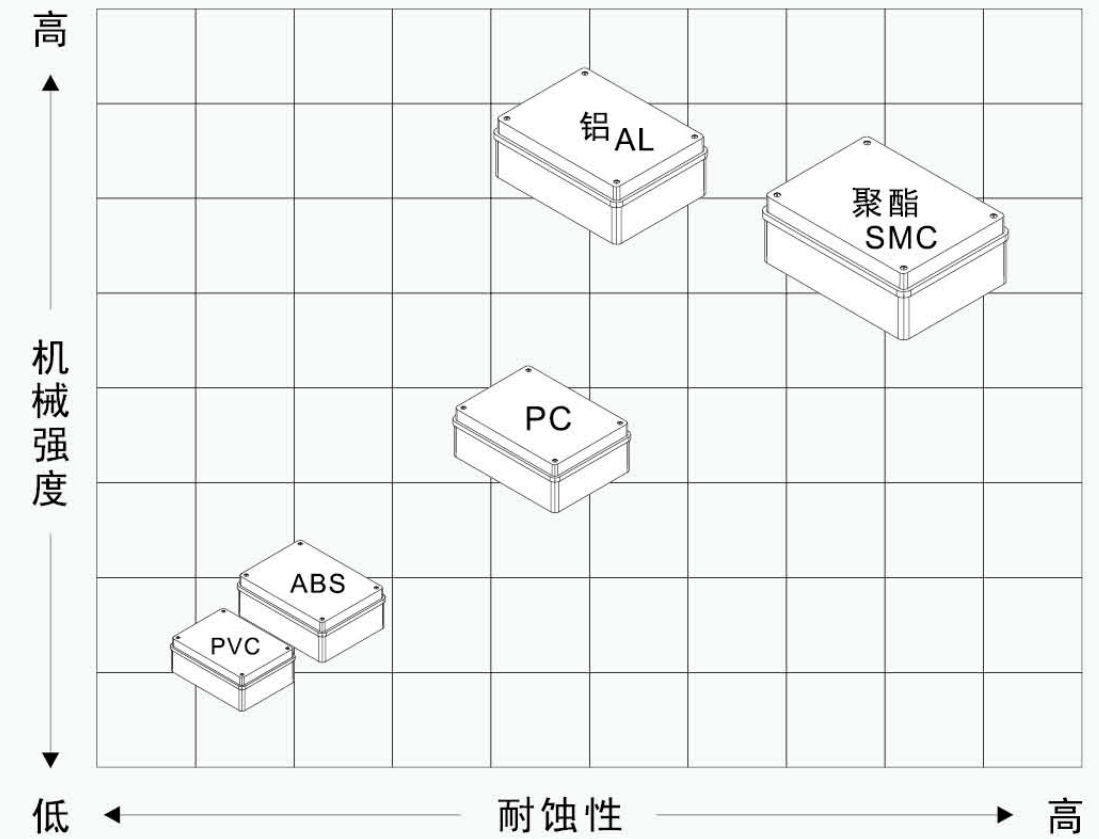
In Pinji, pursuing the quality is the everlasting theme; the spirit of enterprise and keeping the pace with the time are the spirit of him; and continuous innovation is the philosophy. We with sincerity hope to make a better future with all the friends from all over the world!



Protection class of enclosure in accordance with EN 60592,EN50102 standard

1 FIRST NUMBER	固体保护程度 Protection against solid	2 SECOND NUMBER	液体保护程度 Protection against liquids	IK CODE	冲击保护 Protection against mechanical impact
IP	测试 (TEST)	IP	测试 (TEST)	IK	测试 (TEST)
0	—— No protection	0	—— No protection	00	—— No protection
1	对50mm以上固体有保护 Protected against solid objects up to 50mm	1	垂直滴水保护 Protected against vertically falling drops water	01-05	冲击<1 joule Impact<1 joule
	对12mm以上固体有保护 Protected against solid objects up to 12mm		15角度滴水保护 Protected against vertically falling drops water when enclosure tilted up to 15		冲击=1 joule Impact=1 joule
	对2.5mm以上固体有保护 Protected against solid objects up to 2.5mm		60角度滴水保护 Protected against vertically falling drops water when enclosure tilted up to 60		冲击=2 joule Impact=2 joule
	对1mm以上固体有保护 Protected against solid objects up to 1mm		任何方向洒水有保护 Protected against splashing water		冲击=5 joule Impact=5 joule
	对灰尘以外固体有保护 Protected against dust limited ingress		任何方向低压洒水有保护 Protected against low pressure jets of water form all directions limited ingress		冲击=10 joule Impact=10 joule
	对固体完全保护,包括灰尘 Totally protected against dust		任何方向高压洒水有保护 Protected against water jets		冲击=20 joule Impact=20 joule
		15cm-1m深完全浸入水中30分钟有保护 Protected against the effect of immersion between 15cm and 1m			
		长期完全浸水有保护 Protected against long periods of immersion under pressure			

不同材料机箱有不同的机械强度以及适应不同的工作环境



材料的温度

材料	PVC	ABS	PC	铝AL	聚酯SMC
临时温度	-40℃ to +80℃	-40℃ to +80℃	-40℃ to +120℃	-40℃ to +120℃	-50℃ to +150℃
连续温度	-40℃ to +60℃	-40℃ to +60℃	-40℃ to +100℃	-40℃ to +120℃	-50℃ to +120℃

## PRODUCT CATALOG 产品目录

● ● ● ●

PB系列 塑料盒 (螺栓型)	01-04
PB系列 塑料螺栓	05
PB系列 塑料盒 (金属螺栓型)	06-07
PB系列 塑料盒 (铰链型)	08-09
PB系列 塑料盒	10-11
端子接线盒	12-15
防水接线盒 (黑色款)	16-19
新型工业插座箱	20-21
欧式防水电气盒	22-23
工业插座盒	24-26
手提式插座箱	27-28
透明保护窗罩	29-33
防水配电箱系列	34-35
PB系列 塑料盒 (防水按钮盒)	36-37
铸铝盒 (金属型)	38-39
开关按钮盒	40-41



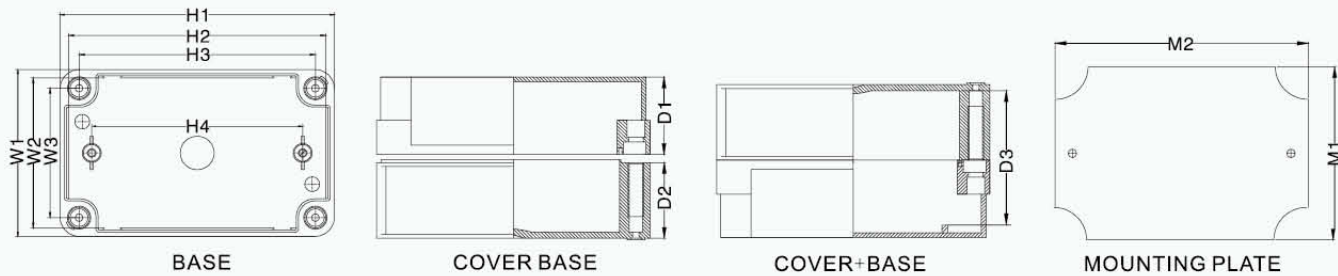




有极好的绝缘性能, 抗化学腐蚀和抗机械挤压的性能。达到高要求的IP67防护等级。所有的箱体都防尘、防水, 能抗80度高温。采用ABS、PC等材料制成, 外形美观, 性能坚固。产品适用于小型终端机、按钮盒、信号机、继电器、计量器、通信用接线盒等设备。

It has excellent insulating properties, chemical corrosion resistance and mechanical extrusion resistance. The IP67 protection level shall be high. All boxes shall be dustproof, waterproof and resistant to 80° high temperature. Made of ABS, PC material, beautiful appearance and strong performance. The product is suitable for small terminals, button boxes, signals, relays, meters, communication junction boxes and other equipment.

Dimension(允许误差 ± 1mm)



型号规格 Model and size



尺寸 Size W×H×D	产品型号 Product model(Stainless steel latch+Screw type)				内板型号 Plate Model		金属内板规格 Plate Size		尺寸 Size (mm)								
	ABS	PC/ABS	PC	PC	Plastic (塑料)	Metal (金属)	M1	M2	W1	W2	W3	H1	H2	H3	D1	D2	D3
50x65x55	PB-AG-050605	PB-AT-050605	PB-PG-050605	PB-PT-050605	—	PB-0506	40	55	50	44	37	65	60	52	20	35	43
55x70x43	PB-AG-050704	PB-AT-050704	PB-PG-050704	PB-PT-050704	—	PB-0507	45	60	55	47	47	70	62	52	8	35	32
55x91x43	PB-AG-050904	PB-AT-050904	PB-PG-050904	PB-PT-050904	—	PB-0509	45	80	55	47	47	91	89	78	8	35	32
65x95x55	PB-AG-060905	PB-AT-060905	PB-PG-060905	PB-PT-060905	—	—	—	—	65	58	47	95	88	77	15	40	34
75x91x43	PB-AG-070904	PB-AT-070904	PB-PG-070904	PB-PT-070904	—	PB-0709	60	114	70	67	67	91	89	78	8	35	32
75x105x60	PB-AG-071006	PB-AT-071006	PB-PG-071006	PB-PT-071006	—	PB-0710	65	80	75	67	57	105	97	86	20	40	47
70x125x48	PB-AG-071204-S	PB-AT-071204-S	PB-PG-071204-S	PB-PT-071204-S	PB-0712P	PB-0712	60	110	70	64	61	125	118	114	8	40	35
75x125x75	PB-AG-071207	PB-AT-071207	PB-PG-071207	PB-PT-071207	PB-0712P	PB-0712	60	110	75	64	57	125	116	107	25	49	62
75x125x100	PB-AG-071210-1	PB-AT-071210-1	PB-PG-071210-1	PB-PT-071210-1	PB-0712P	PB-0712	60	110	75	64	57	125	116	107	50	49	87
80x80x60	PB-AG-080806	PB-AT-080806	PB-PG-080806	PB-PT-080806	PB-0808P	PB-0808	65	65	75	77	67	80	77	62	15	45	47
80x80x85	PB-AG-080808-1	PB-AT-080808-1	PB-PG-080808-1	PB-PT-080808-1	PB-0808P	PB-0808	65	65	80	77	62	80	77	62	15	70	72
80x110x45	PB-AG-081104-S	PB-AT-081104-S	PB-PG-081104-S	PB-PT-081104-S	PB-0811P	PB-0811	67	91	80	69	62	110	99	92	20	25	32
80x110x60	PB-AG-081106-1S	PB-AT-081106-1S	PB-PG-081106-1S	PB-PT-081106-1S	PB-0811P	PB-0811	67	91	80	69	62	110	99	92	35	25	47
80x110x70	PB-AG-081107	PB-AT-081107	PB-PG-081107	PB-PT-081107	PB-0811P	PB-0811	67	91	80	69	62	110	99	92	20	50	57
80x110x85	PB-AG-081108-1	PB-AT-081108-1	PB-PG-081108-1	PB-PT-081108-1	PB-0811P	PB-0811	67	91	80	69	62	110	99	92	35	50	73
80x110*100	PB-AG-081110-2	PB-AT-081110-2	PB-PG-081110-2	PB-PT-081110-2	PB-0811P	PB-0811	67	91	80	72	62	110	102	92	20	80	87
80*110*115	PB-AG-081111-3	PB-AT-081111-3	PB-PG-081111-3	PB-PT-081111-3	PB-0811P	PB-0811	67	91	80	72	62	110	102	92	35	80	102
80x130x70	PB-AG-081307	PB-AT-081307	PB-PG-081307	PB-PT-081307	PB-0813P	PB-0813	67	117	80	70	62	130	120	112	20	50	56.5
80x130x85	PB-AG-081308-1	PB-AT-081308-1	PB-PG-081308-1	PB-PT-081308-1	PB-0813P	PB-0813	67	117	80	70	62	130	120	112	35	50	71.5
80x160x55	PB-AG-081605-S	PB-AT-081605-S	PB-PG-081605-S	PB-PT-081605-S	PB-0816P	PB-0816	67	151	80	75	62	162	155	148	15	40	44
80x160x90	PB-AG-081609	PB-AT-081609	PB-PG-081609	PB-PT-081609	PB-0816P	PB-0816	67	151	82	74	68	162	154	148	15	75	76
80x180x70	PB-AG-081807	PB-AT-081807	PB-PG-081807	PB-PT-081807	PB-0818P	PB-0818	70	170	82	70	68	180	170	162	20	50	57
80x180x85	PB-AG-081808-1	PB-AT-081808-1	PB-PG-081808-1	PB-PT-081808-1	PB-0818P	PB-0818	70	170	82	70	62	180	170	162	35	50	72
80x220x70	PB-AG-082207	PB-AT-082207	PB-PG-082207	PB-PT-082207	PB-0822P	PB-0822	67	209	80	72	62	220	212	202	20	50	58
80x250x70	PB-AG-082507	PB-AT-082507	PB-PG-082507	PB-PT-082507	PB-0825P	PB-0825	67	237	80	70	62	250	240	232	20	50	56.5
80x250x85	PB-AG-082508-1	PB-AT-082508-1	PB-PG-082508-1	PB-PT-082508-1	PB-0825P	PB-0825	67	237	80	70	62	250	240	232	35	50	71.5
80*250*100	PB-AG-082510-2	PB-AT-082510-2	PB-PG-082510-2	PB-PT-082510-2	PB-0825P	PB-0825	67	237	80	72	62	250	242	232	50	50	85
91x110x43	PB-AG-091004	PB-AT-091004	PB-PG-091004	PB-PT-091004	—	PB-0910	80	100	80	89	62	110	108	102	8	35	32
90x125x48	PB-AG-091204	PB-AT-091204	PB-PG-091204	PB-PT-091204	—	PB-0912	80	114	80	83.5	78	125	118	114	8	40	40
94x130x70	PB-AG-091307	PB-AT-091307	PB-PG-091307	PB-PT-091307	—	PB-0913	82	148	91	86	81	130	122	115	20	50	55
94x130x100	PB-AG-091310-1	PB-AT-091310-1	PB-PG-091310-1	PB-PT-091310-1	—	PB-0913	82	148	90	86	74	130	122	115	20	80	85
100x100x75	PB-AG-101007	PB-AT-101007	PB-PG-101007	PB-PT-101007	PB-1010P	PB-1010	80	80	94	90	74	100	90	82	20	55	62
100x100x100	PB-AG-101010-1	PB-AT-101010-1	PB-PG-101010-1	PB-PT-101010-1	PB-1010P	PB-1010	80	80	94	90	82	100	90	82	20	80	87
100x224x75	PB-AG-102207	PB-AT-102207	PB-PG-102207	PB-PT-102207	—	PB-1022	80	205	101	91	76	224	194	198	15	60	60
100x180x75	PB-AG-101807	PB-AT-101807	PB-PG-101807	PB-PT-101807	—	PB-1018	82	162	101	91	76	180	151	155	15	60	60



型号规格 Model and size



尺寸 Size W×H×D	产品型号 Product model(Stainless steel latch+Screw type)				内板型号 Plate Model		金属内板规格 Plate Size		尺寸 Size (mm)								
	ABS	PC/ABS	PC	PC	Plastic (塑料)	Metal (金属)	M1	M2	W1	W2	W3	H1	H2	H3	D1	D2	D3
113x183x90	PB-AG-111809	PB-AT-111809	PB-PG-111809	PB-PT-111809	PB-1118P	PB-1118	98	108	100	104	95	183	174	165	20	70	76
113x183x105	PB-AG-111810-1	PB-AT-111810-1	PB-PG-111810-1	PB-PT-111810-1	PB-1118P	PB-1118	98	168	100	104	95	183	174	165	35	70	91
120x160x90	PB-AG-121609	PB-AT-121609	PB-PG-121609	PB-PT-121609	PB-1216	PB-1216	106	138	113	110	102	160	150	142	20	70	76.5
120x200x75	PB-AG-122007	PB-AT-122007	PB-PG-122007	PB-PT-122007	PB-1220P	PB-1220	95	175	113	111	102	200	191	182	20	55	60
120x220x85	PB-AG-122208	PB-AT-122208	PB-PG-122208	PB-PT-122208	PB-1222P	PB-1222	95	175	120	110	100	220	210	200	20	67	74
125x125x75	PB-AG-121207-S	PB-AT-121207-S	PB-PG-121207-S	PB-PT-121207-S	PB-1212P	PB-1212	112	112	125	115	107	125	115	107	20	55	62
125x125x100	PB-AG-121210	PB-AT-121210	PB-PG-121210	PB-PT-121210	PB-1212P	PB-1212	112	112	125	115	107	125	115	107	20	80	87
125x175x75	PB-AG-121707	PB-AT-121707	PB-PG-121707	PB-PT-121707	PB-1217P	PB-1217	112	162	125	115	107	175	165	157	25	50	61.5
125x175x100	PB-AG-121710-1	PB-AT-121710-1	PB-PG-121710-1	PB-PT-121710-1	PB-1217P	PB-1217	112	162	125	115	107	175	165	157	50	50	86.5
125x175x110	PB-AG-121711-2	PB-AT-121711-2	PB-PG-121711-2	PB-PT-121711-2	PB-1217P	PB-1217	112	162	128	117	109	175	167	156	25	85	95
125x175x135	PB-AG-121713-3	PB-AT-121713-3	PB-PG-121713-3	PB-PT-121713-3	PB-1217P	PB-1217	112	162	128	117	109	175	167	156	50	85	112
140x170x95	PB-AG-141709	PB-AT-141709	PB-PG-141709	PB-PT-141709	PB-1417P	PB-1417	127	154	140	130	122	170	160	152	20	75	82
140x230x95	PB-AG-142309	PB-AT-142309	PB-PG-142309	PB-PT-142309	PB-1423P	PB-1423	125	215	128	131	122	230	220	212	20	75	81
150x200x75	PB-AG-152007-S	PB-AT-152007-S	PB-PG-152007-S	PB-PT-152007-S	PB-1520P	PB-1520	136	185	150	140	132	200	190	182	20	55	61
150x200x100	PB-AG-152010	PB-AT-152010	PB-PG-152010	PB-PT-152010	PB-1520P	PB-1520	136	185	150	140	132	200	190	182	20	80	86
150x200x130	PB-AG-152013-1	PB-AT-152013-1	PB-PG-152013-1	PB-PT-152013-1	PB-1520P	PB-1520	136	185	150	140	132	200	190	182	50	80	116
150x200x130	PB-AG-152013-2	PB-AT-152013-2	PB-PG-152013-2	PB-PT-152013-2	PB-1520P	PB-1520	136	185	150	140	132	200	190	182	20	110	116
150x200x160	PB-AG-152016-3	PB-AT-152016-3	PB-PG-152016-3	PB-PT-152016-3	PB-1520P	PB-1520	136	185	150	140	132	200	190	182	50	110	146
150x250x100	PB-AG-152510	PB-AT-152510	PB-PG-152510	PB-PT-152510	PB-1525P	PB-1525	135	235	150	140	132	250	240	232	20	80	87
150x250x130	PB-AG-152513-1	PB-AT-152513-1	PB-PG-152513-1	PB-PT-152513-1	PB-1525P	PB-1525	135	235	150	140	132	250	240	232	50	80	117
150x250x130	PB-AG-152513-2	PB-AT-152513-2	PB-PG-152513-2	PB-PT-152513-2	PB-1525P	PB-1525	135	235	150	140	132	250	240	232	20	110	117
150x250x160	PB-AG-152516-3	PB-AT-152516-3	PB-PG-152516-3	PB-PT-152516-3	PB-1525P	PB-1525	135	235	150	140	132	250	240	232	50	110	147
175x175x75	PB-AG-171707	PB-AT-171707	PB-PG-171707	PB-PT-171707	PB-1717P	PB-1717	159	159	175	165	157	175	165	157	25	50	61.5
175x175x100	PB-AG-171710-1	PB-AT-171710-1	PB-PG-171710-1	PB-PT-171710-1	PB-1717P	PB-1717	159	159	175	165	157	175	165	157	50	50	86.5
175x175x125	PB-AG-171712-2	PB-AT-171712-2	PB-PG-171712-2	PB-PT-171712-2	PB-1717P	PB-1717	159	159	175	164	156	175	167	157	25	100	110
175x175x150	PB-AG-171715-3	PB-AT-171715-3	PB-PG-171715-3	PB-PT-171715-3	PB-1717P	PB-1717	159	159	175	164	156	175	167	157	50	100	135
175x250x75	PB-AG-172507	PB-AT-172507	PB-PG-172507	PB-PT-172507	PB-1725P	PB-1725	155	230	175	167	156	250	242	232	25	50	62
175x250x100	PB-AG-172510-1	PB-AT-172510-1	PB-PG-172510-1	PB-PT-172510-1	PB-1725P	PB-1725	155	230	175	167	156	250	242	232	50	50	87
180x255x100	PB-AG-182510	PB-AT-182510	PB-PG-182510	PB-PT-182510	—	PB-1825	160	230	175	168	162	256	243	236	15	85	87
200x200x95	PB-AG-202009-S	PB-AT-202009-S	PB-PG-202009-S	PB-PT-202009-S	PB-2020P	PB-2020	185	185	200	190	182	200	190	182	20	75	81
200x200x125	PB-AG-202009-S	PB-AT-202012-1	PB-PG-202012-1	PB-PT-202012-1	PB-2020P	PB-2020	185	185	200	190	182	200	190	182	50	75	111
200x200x130	PB-AG-202013	PB-AT-202013	PB-PG-202013	PB-PT-202013	PB-2020P	PB-2020	185	185	200	190	182	200	190	182	20	110	116
200x200x160	PB-AG-202016-2	PB-AT-202016-2	PB-PG-202016-2	PB-PT-202016-2	PB-2020P	PB-2020	185	185	200	190	182	200	190	182	50	110	146
200x250x100	PB-AG-202510	PB-AT-202510	PB-PG-202510	PB-PT-202510	PB-2025P	PB-2025	180	228	200	191	178	250	241	228	25	75	87
200x300x105	PB-AG-203010	PB-AT-203010	PB-PG-203010	PB-PT-203010	PB-2030P	PB-2030	180	275	200	190	180	300	290	280	20	85	92



外观展示



防脱落塑料螺栓



德国进口发泡胶



内含螺母和接线柱



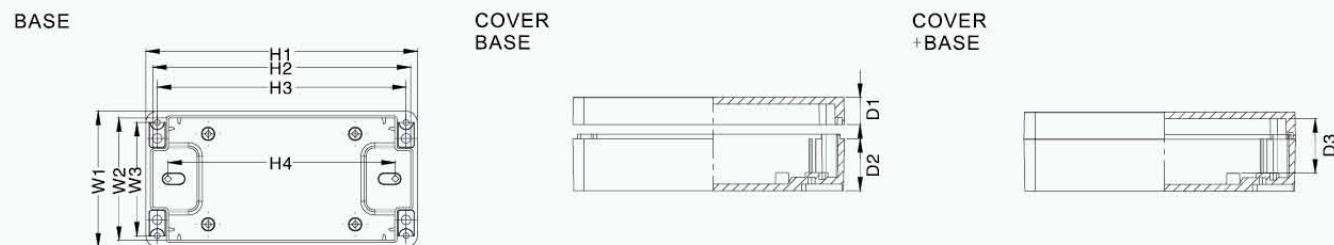




有极好的绝缘性能，抗化学腐蚀和抗机械挤压的性能。达到高要求的IP66防护等级。所有的箱体都防尘、防水，能抗80度高温。采用ABS、PC等材料制成，外形美观，性能坚固。产品适用于小型终端机、按钮盒、信号机、继电器、计量器、通信用接线盒等设备。

Excellent insulation, chemical corrosion resistance and mechanical extrusion resistance. Achieve a high required IP66 protection level. All boxes are dust-proof and waterproof and can resist 80 degrees high temperature. Made of ABS, PC and other materials, the appearance is beautiful, strong performance. The product is suitable for small terminal, button box, signal machine, Relay, meter, credit junction box and other equipment

Dimension(允许误差 ± 1mm)



型号规格 Model and size



Size	产品型号 Product model		Size	产品型号 Product model	
	ABS	PC/ABS		ABS	PC/ABS
W H D	盖: 灰色 ABS 盒体: 灰色 ABS Cover: Grey ABS Body: Grey ABS	盖: 透明 PC 盒体: 灰色 ABS Cover: transparent PC Body: Grey ABS	W H D	盖: 灰色 ABS 盒体: 灰色 ABS Cover: Grey ABS Body: Grey ABS	盖: 透明 PC 盒体: 灰色 ABS Cover: transparent PC Body: Grey ABS
120×200×75	PB-NG-122007	PB-NT-122007	260×380×70	PB-NG-263807	PB-NT-263807
120×200×113	PB-NG-122011-H	PB-NT-122011	260×380×85	PB-NG-263808	PB-NT-263808
120×200×75	PB-NG-122007-E	PB-NT-122007	260×380×105	PB-NG-263810	PB-NT-263810
120×200×56	PB-NG-122005-L	PB-NT-122005	260×380×120	PB-NG-263812-M	PB-NT-263812-M
120×200×67	PB-NG-120206-E	PB-NT-120206	260×380×140	PB-NG-263814-H	PB-NT-263814-H
90×158×60	PB-NG-091506	PB-NT-091506	81×120×65	PB-NG-081206-E	PB-NT-081206
90×158×64	PB-NG-091506-E	PB-NT-091506	120×120×90	PB-NG-121209	PB-NT-121209
90×158×40	PB-NG-091504-L	PB-NT-091504	150×230×85	PB-NG-152308	PB-NT-152308
90×115×55	PB-NG-091105	PB-NT-091105	150×230×87	PB-NG-152308-F	PB-NT-152308
90×115×55	PB-NG-091105-E	PB-NT-091105	150×230×87	PB-NG-152308-E	PB-NT-152308
90×115×68	PB-NG-091106-E	PB-NT-091106	45×160×55	PB-NG-041605	PB-NT-041605
68×100×50	PB-NG-061005	PB-NT-061005	58×83×33	PB-NG-050803	PB-NT-050803
68×100×40	PB-NG-061004-E	PB-NT-061004	58×83×33	PB-NG-050803-E	PB-NT-050803
68×100×50	PB-NG-061005-E	PB-NT-061005	58×63×35	PB-NG-050603	PB-NT-050603
160×160×70	PB-NG-161607-L	PB-NT-161607	58×63×35	PB-NG-050603-E	PB-NT-050603
160×160×90	PB-NG-161609	PB-NT-161609	160×240×90	PB-NG-162409	PB-NT-162409
160×160×90	PB-NG-161609	PB-NT-161609	160×240×120	PB-NG-161412-H	PB-NT-161412
182×263×95	PB-NG-182609	PB-NT-182609	110×160×90	PB-NG-111610	PB-NT-111610
182×263×60	PB-NG-182606-L	PB-NT-182606-L	188×192×100	PB-NG-181910	PB-NT-181910
182×263×125	PB-NG-182612-H	PB-NT-182612	188×192×100	PB-NG-181910-E	PB-NT-181910
90×158×46	PB-NG-091504	PB-NT-091504	81×83×56	PB-NG-080805	PB-NT-080805
90×158×60	PB-NG-091506-H	PB-NT-091506	210×290×60	PB-NG-212906	PB-NT-212906
85×115×35	PB-NG-081103-E	PB-NT-081103	210×290×100	PB-NG-212910	PB-NT-212910
195×280×135	PB-NG-192813	PB-NT-192813	280×300×140	PB-NG-283014	PB-NT-283014
195×280×86	PB-NG-192808-L	PB-NT-192808	290×390×165	PB-NG-293916-W	PB-NT-293916
240×320×60	PB-NG-243206-L	PB-NT-243206-L	290×390×166	PB-NG-293916	PB-NT-293916
240×320×110	PB-NG-243211	PB-NT-243211	170×250×120	PB-NG-172512	PB-NT-172512
240×320×140	PB-NG-243214-H	PB-NT-243214	100×125×52	PB-NG-101205	PB-NT-101205
240×320×155	PB-NG-243215-H	PB-NT-243215	270×300×112	PB-NG-273011	PB-NT-273011

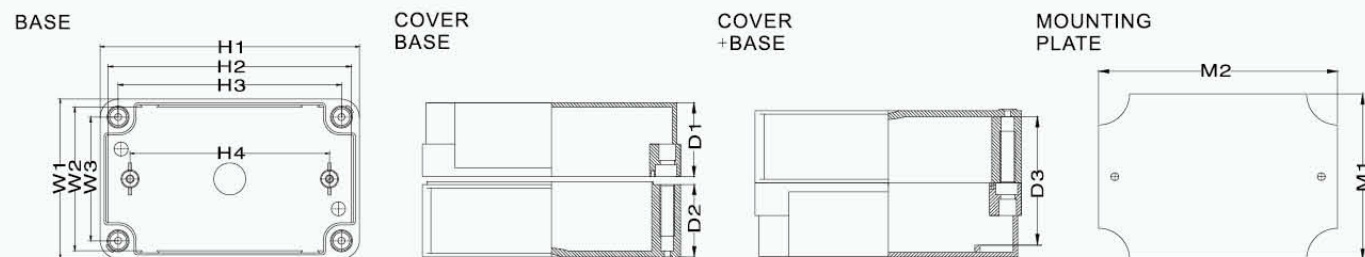




有极好的绝缘性能，抗化学腐蚀和抗机械挤压的性能。达到高要求的IP66防护等级。所有的箱体都防尘、防水，能抗80度高温。采用ABS、PC等材料制成，外形美观，性能坚固。产品适用于小型终端机、按钮盒、信号机、继电器、计量器、通信用接线盒等设备。

Excellent insulation, chemical corrosion resistance and mechanical extrusion resistance. Achieve a high required IP66 protection level. All boxes are dust-proof and waterproof and can resist 80 degrees high temperature. Made of ABS, PC and other materials, the appearance is beautiful, strong performance. The product is suitable for small terminal, button box, signal machine, Relay, meter, credit junction box and other equipment

Dimension(允许误差 ± 1mm)



型号规格 Model and size

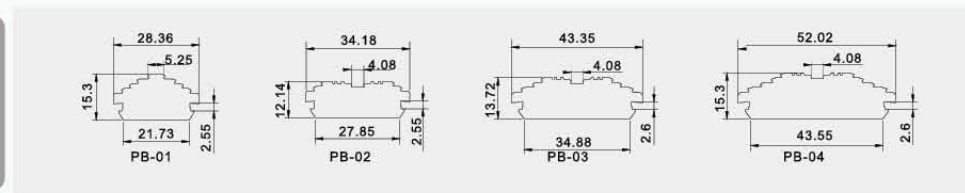


Size W H D	产品型号 Product model (stainless steel latch+screw type)				内板型号 Plate Model		金属内板规格Plate Size	
	ABS	PC/ABS	PC	PC	Plastic (塑料)	Metai (金属)	M1	M2
	盖: 灰色ABS 盒体: 灰色ABS Cover: Grey ABS Body: Grey ABS	盖: 透明PC 盒体: 灰色ABS Cover: Transparent PC Body: Grey ABS	盖: 灰色PC 盒体: 灰色PC Cover: Grey PC Body: Grey PC	盖: 透明PC 盒体: 灰色PC Cover: Transparent PC Body: Grey PC				
75x125x75	PB-AG-0712H	PB-AT-0712H	PB-PG-0712H	PB-PT-0712H	PB-0712P	PB-0712	60	110
75x125x100	PB-AG-0712-1H	PB-AT-0712-1H	PB-PG-0712-1H	PB-PT-0712-1H	PB-0712P	PB-0712	60	110
80x80x85	PB-AG-0808-1H	PB-AT-0808-1H	PB-PG-0808-1H	PB-PT-0808-1H	PB-0808P	PB-0808	65	65
80x110x70	PB-AG-0811H	PB-AT-0811H	PB-PG-0811H	PB-PT-0811H	PB-0811P	PB-0811	67	91
80x110x85	PB-AG-0811-1H	PB-AT-0811-1H	PB-PG-0811-1H	PB-PT-0811-1H	PB-0811P	PB-0811	67	91
80x110x100	PB-AG-0811-2H	PB-AT-0811-2H	PB-PG-0811-2H	PB-PT-0811-2H	PB-0811P	PB-0811	67	91
80x110x115	PB-AG-0811-3H	PB-AT-0811-3H	PB-PG-0811-3H	PB-PT-0811-3H	PB-0811P	PB-0811	67	91
80x130x70	PB-AG-0813H	PB-AT-0813H	PB-PG-0813H	PB-PT-0813H	PB-0813P	PB-0813	67	117
80x130x85	PB-AG-0813-1H	PB-AT-0813-1H	PB-PG-0813-1H	PB-PT-0813-1H	PB-0813P	PB-0813	67	117
80x160x90	PB-AG-0816H	PB-AT-0816H	PB-PG-0816H	PB-PT-0816H	PB-0816P	PB-0816	67	151
80x180x70	PB-AG-0818H	PB-AT-0818H	PB-PG-0818H	PB-PT-0818H	PB-0818P	PB-0818	70	170
80x180x85	PB-AG-0818-1H	PB-AT-0818-1H	PB-PG-0818-1H	PB-PT-0818-1H	PB-0818P	PB-0818	70	170
80x220x70	PB-AG-0822H	PB-AT-0822H	PB-PG-0822H	PB-PT-0822H	PB-0822P	PB-0822	67	209
80x250x70	PB-AG-0825H	PB-AT-0825H	PB-PG-0825H	PB-PT-0825H	PB-0825P	PB-0825	67	237
80x250x85	PB-AG-0825-1H	PB-AT-0825-1H	PB-PG-0825-1H	PB-PT-0825-1H	PB-0825P	PB-0825	67	237
80x250x100	PB-AG-0825-2H	PB-AT-0825-2H	PB-PG-0825-2H	PB-PT-0825-2H	PB-0825P	PB-0825	67	237
100x100x75	PB-AG-1010H	PB-AT-1010H	PB-PG-1010H	PB-PT-1010H	PB-1010P	PB-1010	80	80
100x100x100	PB-AG-1010-1H	PB-AT-1010-1H	PB-PG-1010-1H	PB-PT-1010-1H	PB-1010P	PB-1010	80	80
113x183x90	PB-AG-1118H	PB-AT-1118H	PB-PG-1118H	PB-PT-1118H	PB-1118P	PB-1118	98	108
113x183x105	PB-AG-1118-1H	PB-AT-1118-1H	PB-PG-1118-1H	PB-PT-1118-1H	PB-1118P	PB-1118	98	168
120x160x90	PB-AG-1216H	PB-AT-1216H	PB-PG-1216H	PB-PT-1216H	PB-1216P	PB-1216	106	138
120x200x75	PB-AG-1220H	PB-AT-1220H	PB-PG-1220H	PB-PT-1220H	PB-1220P	PB-1220	95	175
120x220x85	PB-AG-1222H	PB-AT-1222H	PB-PG-1222H	PB-PT-1222H	PB-1222P	PB-1222	95	175
125x125x75	PB-AG-1212-SH	PB-AT-1212-SH	PB-PG-1212-SH	PB-PT-1212-SH	PB-1212P	PB-1212	112	112
125x125x100	PB-AG-1212H	PB-AT-1212H	PB-PG-1212H	PB-PT-1212H	PB-1212P	PB-1212	112	112
125x175x75	PB-AG-1217H	PB-AT-1217H	PB-PG-1217H	PB-PT-1217H	PB-1217P	PB-1217	112	162
125x175x100	PB-AG-1217-1H	PB-AT-1217-1H	PB-PG-1217-1H	PB-PT-1217-1H	PB-1217P	PB-1217	112	162
125x175x110	PB-AG-1217-2H	PB-AT-1217-2H	PB-PG-1217-2H	PB-PT-1217-2H	PB-1217P	PB-1217	112	162
125x175x135	PB-AG-1217-3H	PB-AT-1217-3H	PB-PG-1217-3H	PB-PT-1217-3H	PB-1217P	PB-1217	112	162
140x170x95	PB-AG-1417H	PB-AT-1417H	PB-PG-1417H	PB-PT-1417H	PB-1417P	PB-1417	127	154
140x230x95	PB-AG-1423H	PB-AT-1423H	PB-PG-1423H	PB-PT-1423H	PB-1423P	PB-1423	125	215
150x200x75	PB-AG-1520-SH	PB-AT-1520-SH	PB-PG-1520-SH	PB-PT-1520-SH	PB-1520P	PB-1520	136	185
150x200x100	PB-AG-1520H	PB-AT-1520H	PB-PG-1520H	PB-PT-1520H	PB-1520P	PB-1520	136	185
150x200x130	PB-AG-1520-1H	PB-AT-1520-1H	PB-PG-1520-1H	PB-PT-1520-1H	PB-1520P	PB-1520	136	185
150x200x130	PB-AG-1520-2H	PB-AT-1520-2H	PB-PG-1520-2H	PB-PT-1520-2H	PB-1520P	PB-1520	136	185
150x200x160	PB-AG-1520-3H	PB-AT-1520-3H	PB-PG-1520-3H	PB-PT-1520-3H	PB-1520P	PB-1520	136	185
150x250x100	PB-AG-1525H	PB-AT-1525H	PB-PG-1525H	PB-PT-1525H	PB-1525P	PB-1525	135	235
150x250x130	PB-AG-1525-1H	PB-AT-1525-1H	PB-PG-1525-1H	PB-PT-1525-1H	PB-1525P	PB-1525	135	235
150x250x130	PB-AG-1525-2H	PB-AT-1525-2H	PB-PG-1525-2H	PB-PT-1525-2H	PB-1525P	PB-1525	135	235
150x250x160	PB-AG-1525-3H	PB-AT-1525-3H	PB-PG-1525-3H	PB-PT-1525-3H	PB-1525P	PB-1525	135	235
175x175x75	PB-AG-1717H	PB-AT-1717H	PB-PG-1717H	PB-PT-1717H	PB-1717P	PB-1717	159	159
175x175x100	PB-AG-1717-1H	PB-AT-1717-1H	PB-PG-1717-1H	PB-PT-1717-1H	PB-1717P	PB-1717	159	159
175x175x125	PB-AG-1717-2H	PB-AT-1717-2H	PB-PG-1717-2H	PB-PT-1717-2H	PB-1717P	PB-1717	159	159
175x175x150	PB-AG-1717-3H	PB-AT-1717-3H	PB-PG-1717-3H	PB-PT-1717-3H	PB-1717P	PB-1717	159	159
175x250x75	PB-AG-1725H	PB-AT-1725H	PB-PG-1725H	PB-PT-1725H	PB-1725P	PB-1725	155	230
175x250x100	PB-AG-1725-1H	PB-AT-1725-1H	PB-PG-1725-1H	PB-PT-1725-1H	PB-1725P	PB-1725	155	230
180x255x100	PB-AG-1825H	PB-AT-1825H	PB-PG-1825H	PB-PT-1825H	PB-1825P	PB-1825	160	230
200x200x95	PB-AG-2020-SH	PB-AT-2020-SH	PB-PG-2020-SH	PB-PT-2020-SH	PB-2020P	PB-2020	185	185
200x200x125	PB-AG-2020-1H	PB-AT-2020-1H	PB-PG-2020-1H	PB-PT-2020-1H	PB-2020P	PB-2020	185	185
200x200x130	PB-AG-2020H	PB-AT-2020H	PB-PG-2020H	PB-PT-2020H	PB-2020P	PB-2020	185	185
200x200x160	PB-AG-2020-2H	PB-AT-2020-2H	PB-PG-2020-2H	PB-PT-2020-2H	PB-2020P	PB-2020	185	185
200x250x100	PB-AG-2025H	PB-AT-2025H	PB-PG-2025H	PB-PT-2025H	PB-2025P	PB-2025	180	228
200x300x105	PB-AG-2030H	PB-AT-2030H	PB-PG-2030H	PB-PT-2030H	PB-2030P	PB-2030	180	275

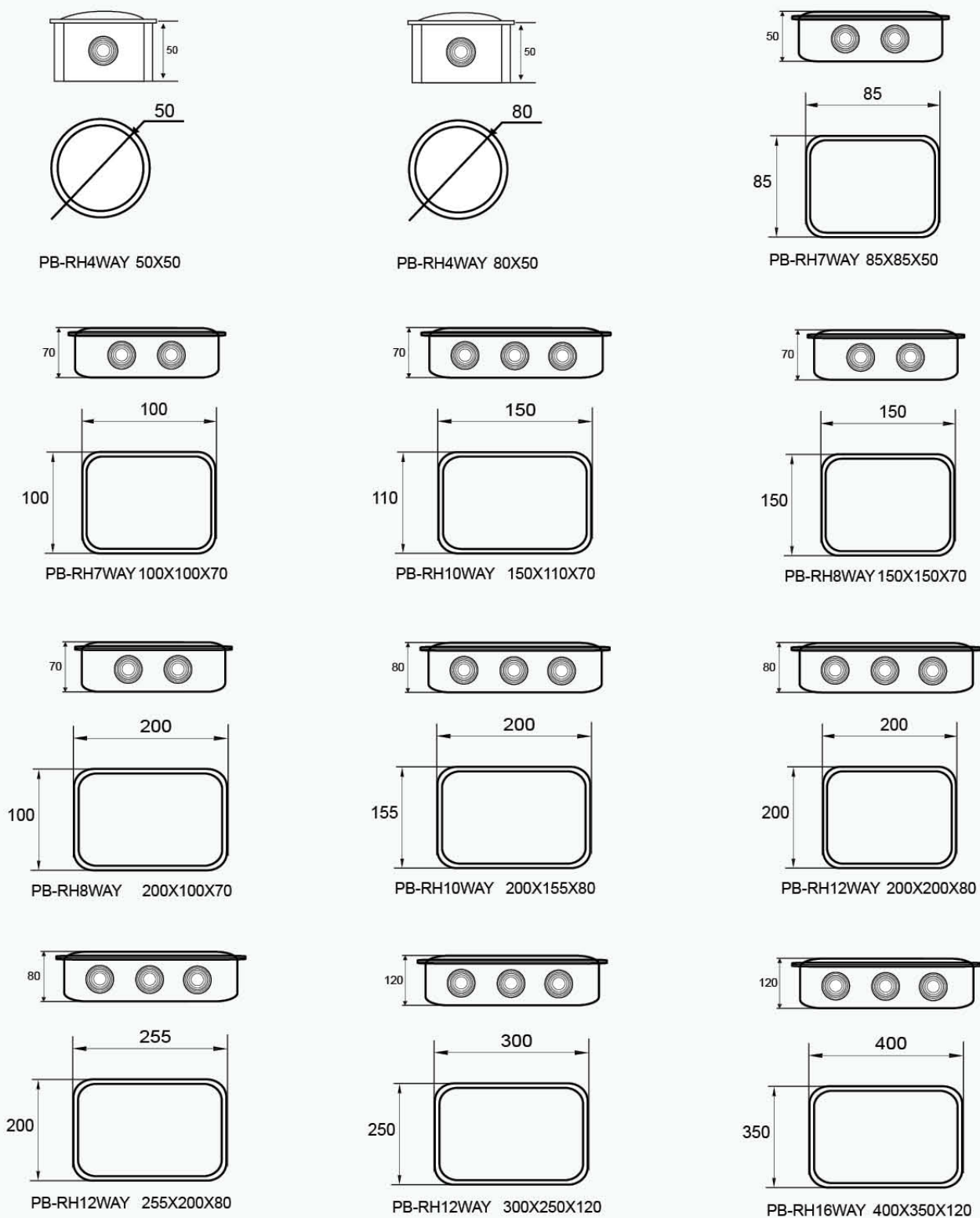




尺寸 Size	产品型号 Product Model	孔数量 Hole Quantity	孔径尺寸 Hole Size	重量 (g) Weight(g)	装箱数 (只) QTY(Carton)	外箱尺寸 (cm) Carton Dimension
50x50	PB-RH4WAY	4	25mm	45.7	300	45.5×37.5×48
80x50	PB-RH4WAY	4	25mm	69.3	240	53×35×63
85x85x50	PB-RH7WAY	7	25mm	87.2	200	53×41×53
100x100x70	PB-RH7WAY	7	25mm	152.47	100	62×49×35
150x110x70	PB-RH10WAY	10	25mm	221.2	60	66×33×45.5
150x150x70	PB-RH8WAY	8	25mm	258.1	60	83.5×34×44
200x100x70	PB-RH8WAY	8	25mm	257	60	61×46×43
200x155x80	PB-RH10WAY	10	36mm	359.3	40	69.5×43.5×41
200x200x80	PB-RH12WAY	12	36mm	455.5	40	45×45×80
255x200x80	PB-RH12WAY	12	36mm	514	40	52×42×82
300x250x120	PB-RH12WAY	12	36mm	897	20	61.5×55.5×61
400x350x120	PB-RH16WAY	16	36mm	1462.7	10	74.5×42.5×61



型号规格 Model and size

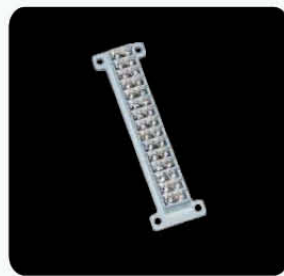




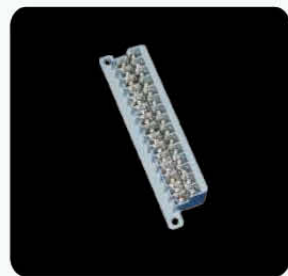
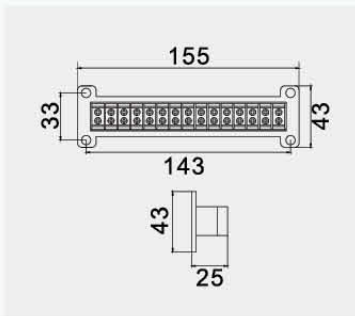


端子盒有极好的绝缘性能，抗化学腐蚀和抗机械挤压的性能。达到高要求的IP66防护等级。所有的箱体都防尘、防水，能抗80度高温。产品采用高强度ABS、PC、PBT耐火材料和UV添加材料制成。外形美观大方，具有很高的可塑性和坚固性。接线端子排正常耐压400V，耐高压4KV，正常电流容量0.75mmsq. -1, 5mmsq. 端子规格有3P-60P多种规格满足你的选择。

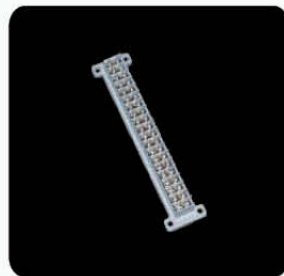
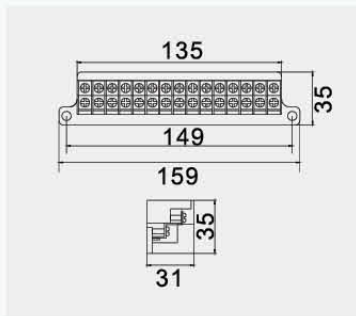
The terminal box has excellent insulation, chemical corrosion resistance and mechanical extrusion resistance. Achieve a high required IP66 protection level. All boxes are dust-proof and waterproof and can resist 80 degrees high temperature. The products are made of high strength ABS, PC, PBT refractory and UV additive materials. The appearance is beautiful and generous, with a high degree of plasticity and firmness. The wiring terminal row has normal voltage resistance of 400V, high pressure of 4KV, and normal current capacity of 0.75 mmsq. -1, 5 mmsq. terminal specification with 3P-60P variety to meet your choice.



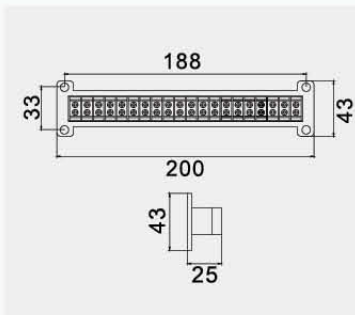
PB-15P-M



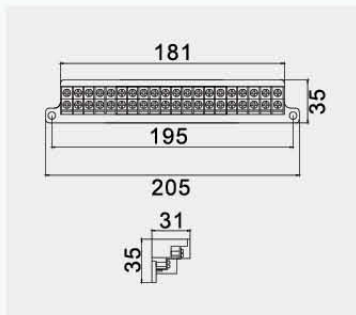
PB-15P-S



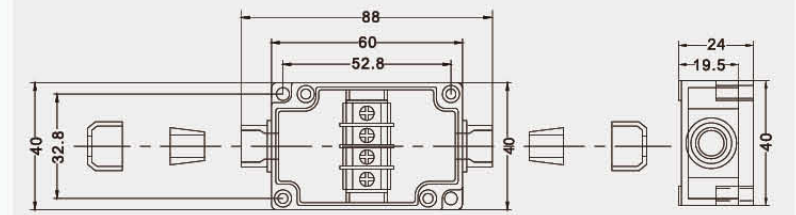
PB-20P-M



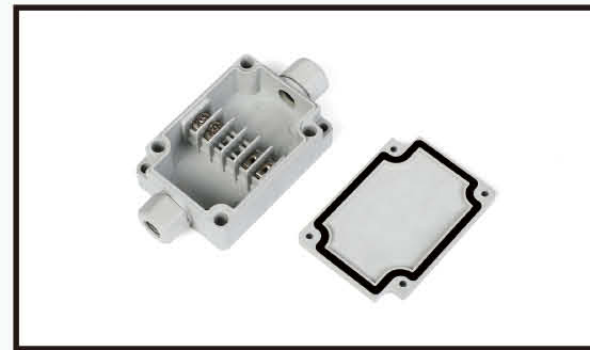
PB-20P-S



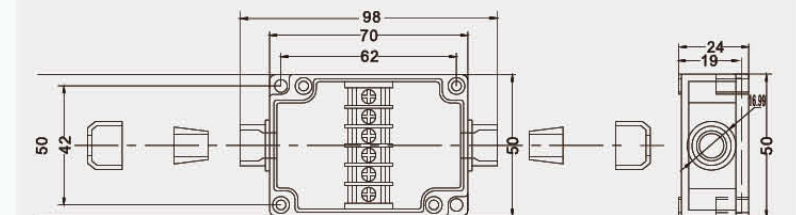
型号 (Model): PHT-4P 尺寸 (Size): 40×60×24mm



Dimension (允许误差 allowance ±1mm)



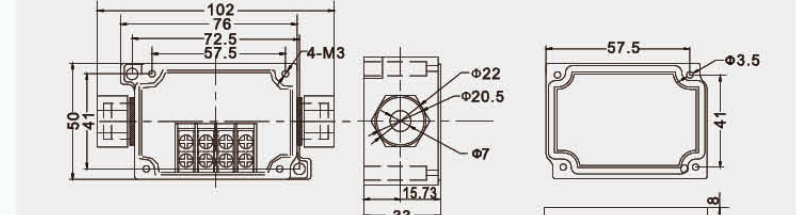
型号 (Model): PHT-6P 尺寸 (Size): 50×70×24mm



Dimension (允许误差 allowance ±1mm)



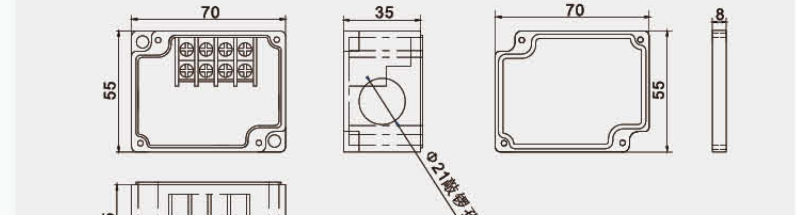
型号 (Model): PH-4P 尺寸 (Size): 50×102×40mm



Dimension (允许误差 allowance ±1mm)



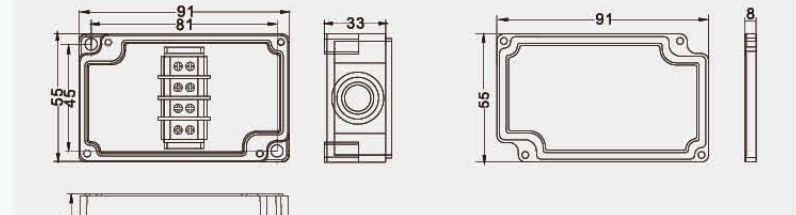
型号 (Model): PH-4P-K 尺寸 (Size): 55×70×43mm



Dimension (允许误差 allowance ±1mm)

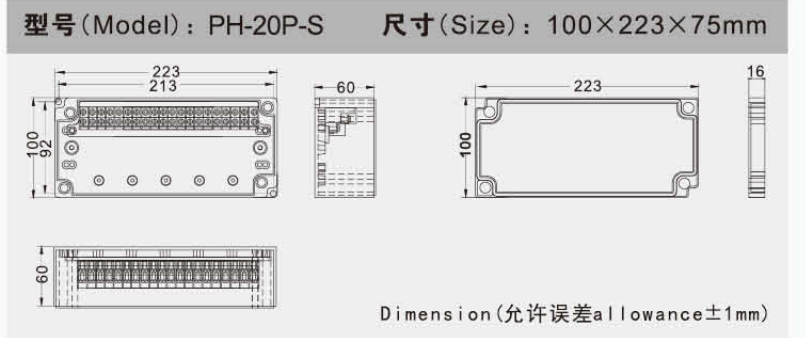
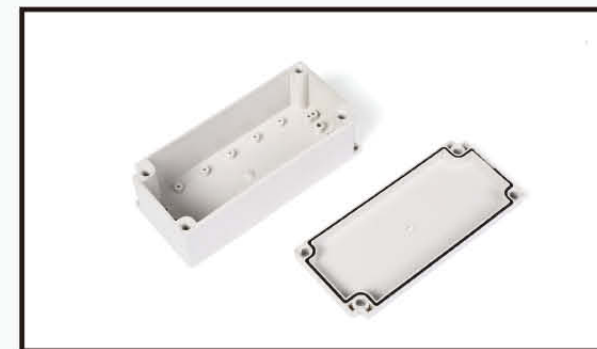
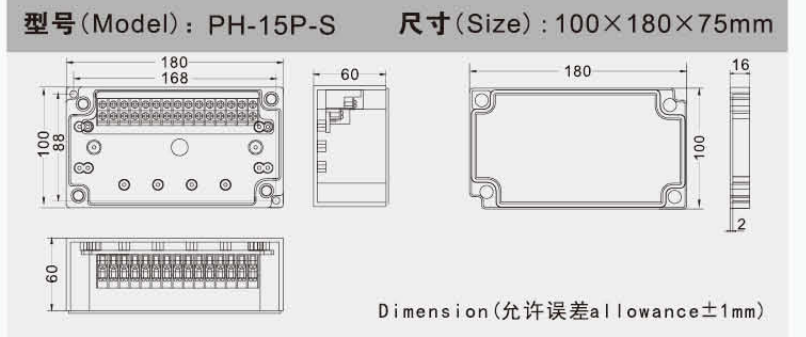
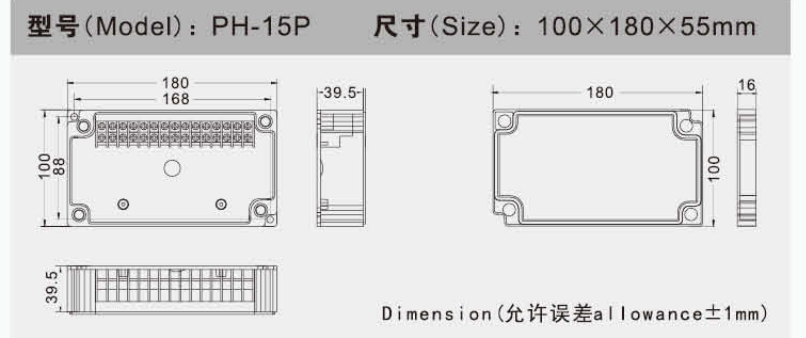
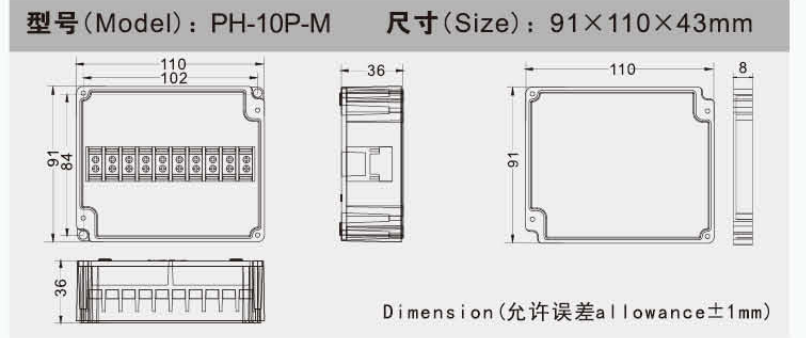
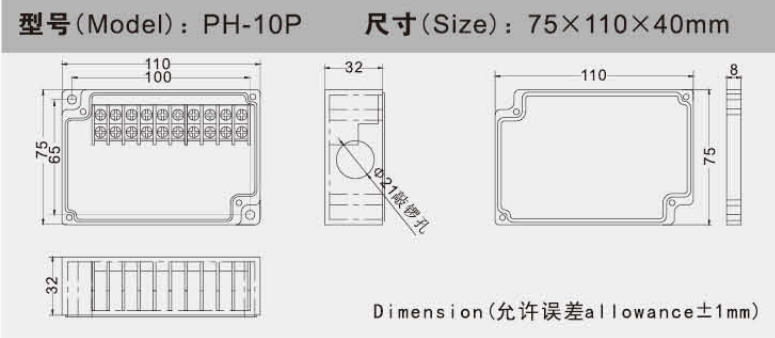
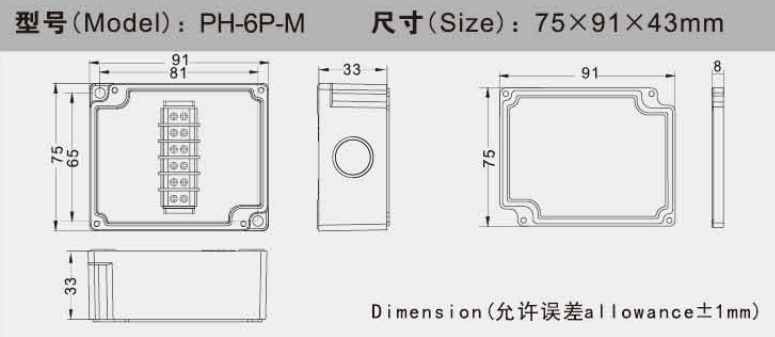
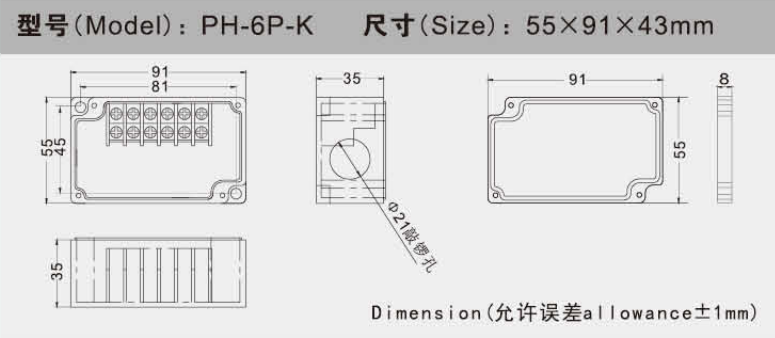
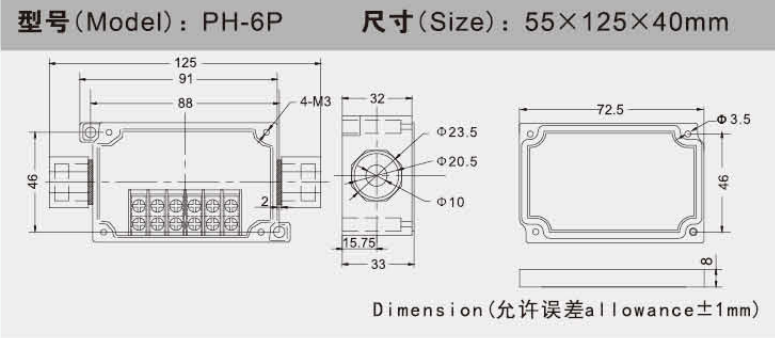


型号 (Model): PH-4P-M 尺寸 (Size): 55×91×43mm



Dimension (允许误差 allowance ±1mm)









有极好的绝缘性能, 抗化学腐蚀和抗机械挤压的性能。达到高要求的IP68防护等级。所有的箱体都防尘、防水, 能抗80度高温。采用ABS、PC等材料制成, 外形美观, 性能坚固。产品适用于小型终端机、按钮盒、信号机、继电器、计量器、通信用接线盒等设备。

Excellent insulation, chemical corrosion resistance and mechanical extrusion resistance. Achieve a high required IP66 protection level. All boxes are dust-proof and waterproof and can resist 80 degrees high temperature. Made of ABS, PC and other materials, the appearance is beautiful, strong performance. The product is suitable for small terminal, button box, signal machine, Relay, meter, credit junction box and other equipment

Dimension(允许误差 ± 1mm)



PJ100-2P

防水等级 Waterproof Level	IP 68
防壳材料 Shell Material	PA/ABS/PC
内尺寸 Inner Dimension	46mmX27mmX17mm
装线孔位 Mounting Hole Position	3mm-6.5mm
电流/电压 Current and Voltage	17.5A/450V, 24A/450V
选配端子台 Optional Terminal Block	PA7-03P, T04S-03P
防水材料 Waterproof Material	50硅胶/50Silicone Rubber
螺丝 Screws	304不锈钢自攻螺钉ST3X10 304 Stainless and self-tapping screws ST3X10
外尺寸 External Dimension	93mmX35mmX24mm
适合电线 Suitable Wire	2X0.5mm <sup>2</sup>
选配防水接头 Optional Waterproof Connector	M10X1.5



PJ110-2P

防水等级 Waterproof Level	IP 68
防壳材料 Shell Material	PA/ABS/PC
内尺寸 Inner Dimension	73mmX45mmX27mm
装线孔位 Mounting Hole Position	4mm-8mm, 9-12mm
电流/电压 Current and Voltage	41A/450V
选配端子台 Optional Terminal Block	PA9-03P, T06S-03P
防水材料 Waterproof Material	50硅胶/50Silicone Rubber
螺丝 Screws	304不锈钢自攻螺钉ST3X12 304 Stainless and self-tapping screws ST3X12
外尺寸 External Dimension	125mmX77mmX35mm
适合电线 Suitable Wire	3X1.5mm <sup>2</sup> , 3X2.5mm <sup>2</sup>
选配防水接头 Optional Waterproof Connector	M16X1.5, M20X1.5



PJ710-2P

防水等级 Waterproof Level	IP 68
防壳材料 Shell Material	PA/ABS/PC
内尺寸 Inner Dimension	60mmX33mmX22mm
装线孔位 Mounting Hole Position	4-8mm, 3-6.5mm
电流/电压 Current and Voltage	41A/450V
选配端子台 Optional Terminal Block	PA9, T06, P02
防水材料 Waterproof Material	50硅胶/50Silicone Rubber
螺丝 Screws	304不锈钢自攻螺钉ST3X10 304 Stainless and self-tapping screws ST3X10
外尺寸 External Dimension	114mmX42mmX30mm
适合电线 Suitable Wire	3X2.5mm <sup>2</sup>
选配防水接头 Optional Waterproof Connector	PG7 PG9 M12



PJ711-2P

防水等级 Waterproof Level	IP 68
防壳材料 Shell Material	PA/ABS/PC
内尺寸 Inner Dimension	53mmX28mmX26mm
装线孔位 Mounting Hole Position	5-9mm, 9-12mm, 12-15mm
电流/电压 Current and Voltage	41A/450V
选配端子台 Optional Terminal Block	PA9, T06, P02
防水材料 Waterproof Material	50硅胶/50Silicone Rubber
螺丝 Screws	304不锈钢自攻螺钉ST3X12 304 Stainless and self-tapping screws ST3X12
外尺寸 External Dimension	115mmX54mmX35mm
适合电线 Suitable Wire	3X1.5mm <sup>2</sup> , 3X2.5mm <sup>2</sup> , 4X2.5mm <sup>2</sup>
选配防水接头 Optional Waterproof Connector	PG9, M12, PG7





### PJ712-3P

防水等级 Waterproof Level	IP 68
外壳材料 Shell Material	PA/ABS/PC
内尺寸 Inner Dimension	45mmX44mmX27mm
装线孔位 Mounting Hole Position	5-9mm,9-12mm,12-15mm
电流/电压 Current and Voltage	41A/450V
选配端子台 Optional Terminal Block	PA9,T06,P02
防水材料 Waterproof Material	50硅胶/50Silicone Rubber
螺丝 Screws	304不锈钢自攻螺丝ST3X12 304 Stainless and self-tapping screws ST3X12
外尺寸 External Dimension	112mmX71mmX37mm
适合电线 Suitable Wire	3X1.5mm <sup>2</sup> ,3X2.5mm <sup>2</sup> ,4X2.5mm <sup>2</sup>
选配防水接头 Optional Waterproof Connector	PG9,M12,M16



### PJ713-3P

防水等级 Waterproof Level	IP 68
外壳材料 Shell Material	PA/ABS/PC
内尺寸 Inner Dimension	70mmX46mmX27mm
装线孔位 Mounting Hole Position	5-9mm,9-12mm,12-15mm
电流/电压 Current and Voltage	41A/450V
选配端子台 Optional Terminal Block	PA9,PA12,T06
防水材料 Waterproof Material	50硅胶/50Silicone Rubber
螺丝 Screws	304不锈钢自攻螺丝ST3X12 304 Stainless and self-tapping screws ST3X12
外尺寸 External Dimension	132mmX91mmX35mm
适合电线 Suitable Wire	3X1.5mm <sup>2</sup> ,3X2.5mm <sup>2</sup> ,4X2.5mm <sup>2</sup>
选配防水接头 Optional Waterproof Connector	PG9,M16X1.5



### PJ714-2P

防水等级 Waterproof Level	IP 68
外壳材料 Shell Material	PA/ABS/PC
内尺寸 Inner Dimension	76mmX51mmX36mm
装线孔位 Mounting Hole Position	3-6.5mm,4-8mm,9-12mm,12-18mm
电流/电压 Current and Voltage	41A/450V
选配端子台 Optional Terminal Block	PA9,PA12,T06
防水材料 Waterproof Material	50硅胶/50Silicone Rubber
螺丝 Screws	304不锈钢自攻螺丝ST4X14 304 Stainless and self-tapping screws ST4X14
外尺寸 External Dimension	99mmX87mmX45mm
适合电线 Suitable Wire	3X1.5mm <sup>2</sup> ,3X2.5mm <sup>2</sup> ,4X2.5mm <sup>2</sup>
选配防水接头 Optional Waterproof Connector	PG7,PG9,PG13.5,M25X1.5



### PJ716-2P

防水等级 Waterproof Level	IP 68
外壳材料 Shell Material	PA/ABS/PC
内尺寸 Inner Dimension	76mmX51mmX36mm
装线孔位 Mounting Hole Position	3-6.5mm,4-8mm,9-12mm,12-18mm
电流/电压 Current and Voltage	41A/450V
选配端子台 Optional Terminal Block	PA9,PA12,T06
防水材料 Waterproof Material	50硅胶/50Silicone Rubber
螺丝 Screws	304不锈钢自攻螺丝ST4X14 304 Stainless and self-tapping screws ST4X14
外尺寸 External Dimension	99mmX87mmX45mm
适合电线 Suitable Wire	3X1.5mm <sup>2</sup> ,3X2.5mm <sup>2</sup> ,4X2.5mm <sup>2</sup>
选配防水接头 Optional Waterproof Connector	PG7,PG9,PG13.5,M25X1.5



### PJ717-0P

防水等级 Waterproof Level	IP 68
外壳材料 Shell Material	PA/ABS/PC
内尺寸 Inner Dimension	194mmX119mmX52mm
装线孔位 Mounting Hole Position	3-6.5mm,4-8mm,9-12mm,12-18mm,18-25mm,25-32mm
电流/电压 Current and Voltage	41A/450V
选配端子台 Optional Terminal Block	PA9,PA12,T06
防水材料 Waterproof Material	50硅胶/50Silicone Rubber
螺丝 Screws	304不锈钢自攻螺丝ST4X14 304 Stainless and self-tapping screws ST4X14
外尺寸 External Dimension	204mmX174mmX69mm
适合电线 Suitable Wire	3X1.5mm <sup>2</sup> ,3X2.5mm <sup>2</sup> ,4X2.5mm <sup>2</sup>
选配防水接头 Optional Waterproof Connector	PG7,PG9,PG13.5,M25X1.5 M32X15,M40X1.5



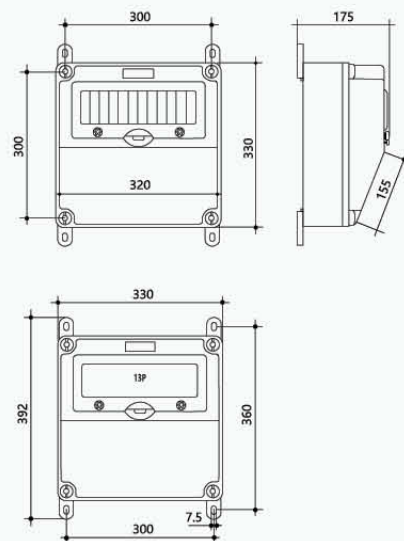


有极好的绝缘性能，抗化学腐蚀和抗机械挤压的性能。达到高要求的IP66防护等级。所有的箱体都防尘、防水，能抗80度高温。采用ABS、PC等材料制成，外形美观，性能坚固。产品适用于小型终端机、按钮盒、信号机、继电器、计量器、通信用接线盒等设备。

Excellent insulation, chemical corrosion resistance and mechanical extrusion resistance. Achieve a high required IP66 protection level. All boxes are dust-proof and waterproof and can resist 80 degrees high temperature. Made of ABS, PC and other materials, the appearance is beautiful, strong performance. The product is suitable for small terminal, button box, signal machine, Relay, meter, credit junction box and other equipment



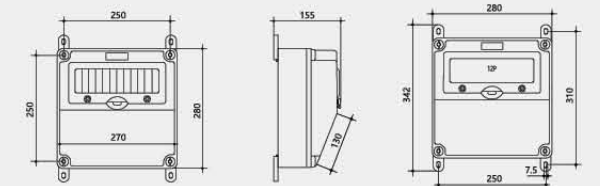
型号(Model): PTB1 尺寸(Size):330×330×175mm



Dimension (允许误差allowance±1mm)



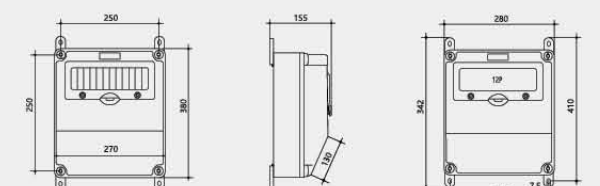
型号(Model): PTB2 尺寸(Size):280×280×155mm



Dimension (允许误差allowance±1mm)



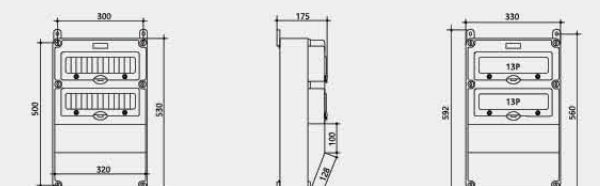
型号(Model): PTB3 尺寸(Size):380×280×155mm



Dimension (允许误差allowance±1mm)



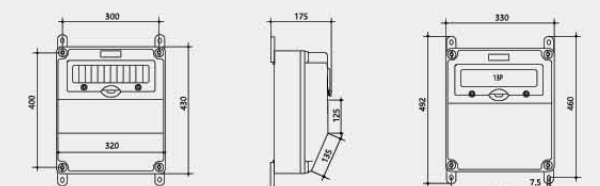
型号(Model): PTB4 尺寸(Size):530×330×155mm



Dimension (允许误差allowance±1mm)



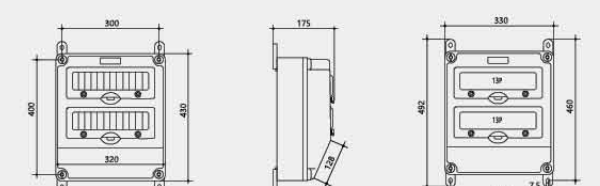
型号(Model): PTB5 尺寸(Size):430×330×75mm



Dimension (允许误差allowance±1mm)



型号(Model): PTB6 尺寸(Size):430×330×175mm



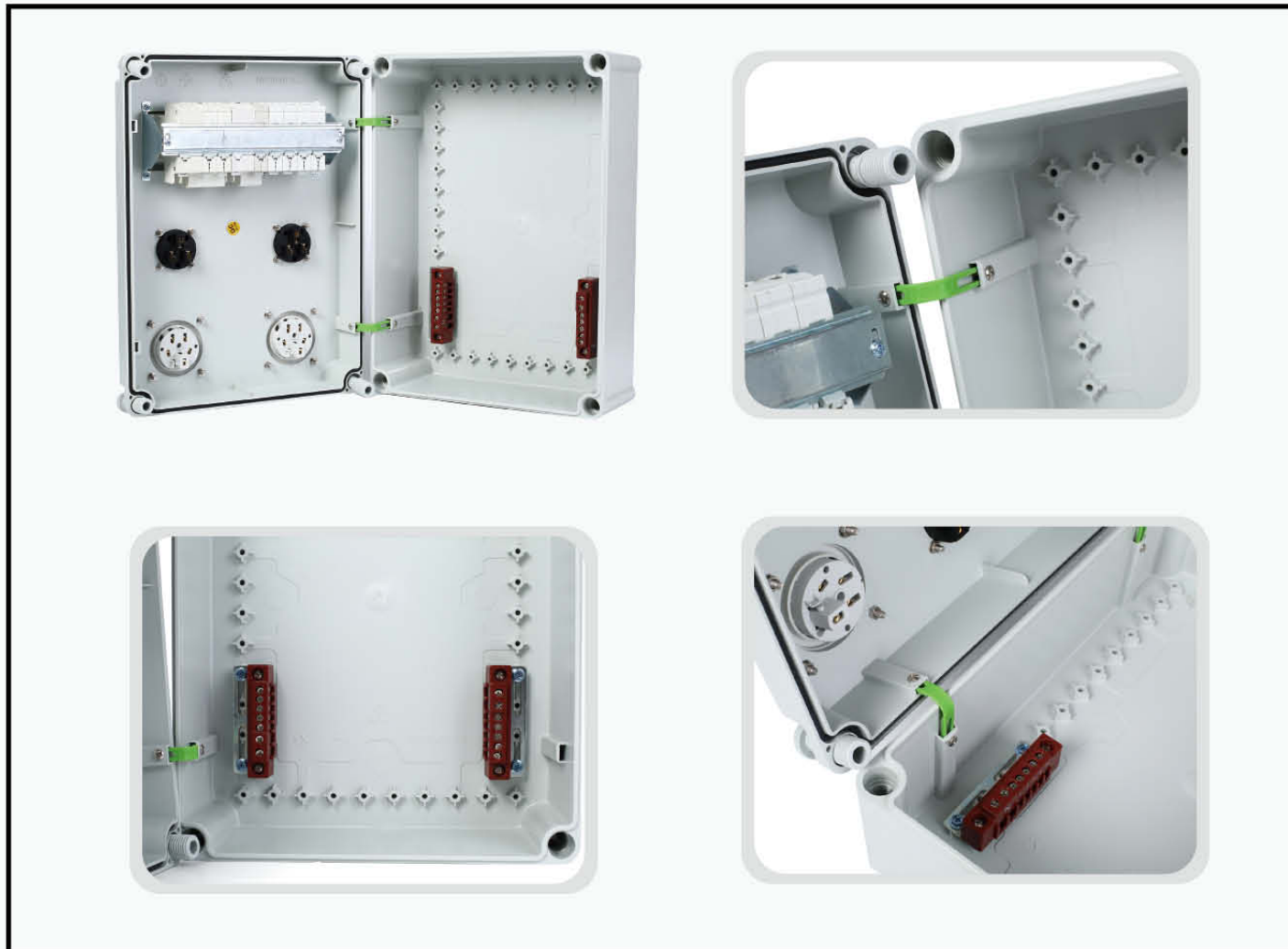
Dimension (允许误差allowance±1mm)



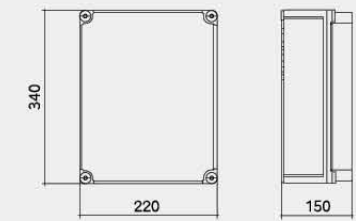


有极好的绝缘性能，抗化学腐蚀和抗机械挤压的性能。达到高要求的IP66防护等级。所有的箱体都防尘、防水，能抗80度高温。采用ABS、PC等材料制成，外形美观，性能坚固。产品适用于小型终端机、按钮盒、信号机、继电器、计量器、通信用接线盒等设备。

Excellent insulation, chemical corrosion resistance and mechanical extrusion resistance. Achieve a high required IP66 protection level. All boxes are dust-proof and waterproof and can resist 80 degrees high temperature. Made of ABS, PC and other materials, the appearance is beautiful, strong performance. The product is suitable for small terminal, button box, signal machine, Relay, meter, credit junction box and other equipment



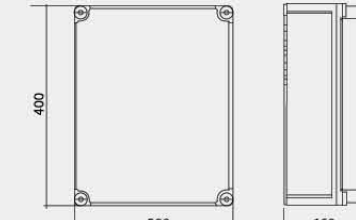
型号(Model): PTD1 尺寸(Size):340×250×150mm



Dimension (允许误差allowance±1mm)



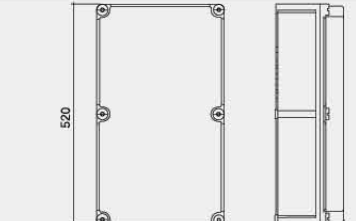
型号(Model): PTD2 尺寸(Size):400×300×160mm



Dimension (允许误差allowance±1mm)



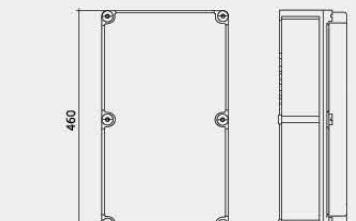
型号(Model): PTD3 尺寸(Size):520×300×160mm



Dimension (允许误差allowance±1mm)



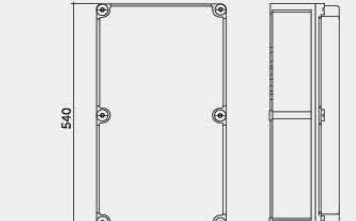
型号(Model): PTD4 尺寸(Size):460×270×160mm



Dimension (允许误差allowance±1mm)



型号(Model): PTD5 尺寸(Size):540×360×180mm



Dimension (允许误差allowance±1mm)





有极好的绝缘性能，抗化学腐蚀和抗机械挤压的性能。达到高要求的IP66防护等级。所有的箱体都防尘、防水，能抗80度高温。采用ABS、PC等材料制成，外形美观，性能坚固。产品适用于小型终端机、按钮盒、信号机、继电器、计量器、通信用接线盒等设备。

Excellent insulation, chemical corrosion resistance and mechanical extrusion resistance. Achieve a high required IP66 protection level. All boxes are dust-proof and waterproof and can resist 80 degrees high temperature. Made of ABS, PC and other materials, the appearance is beautiful, strong performance. The product is suitable for small terminal, button box, signal machine, Relay, meter, credit junction box and other equipment

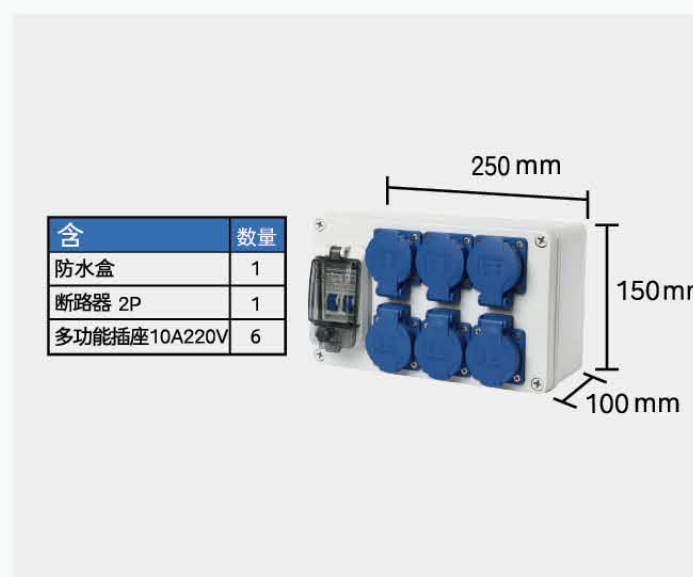
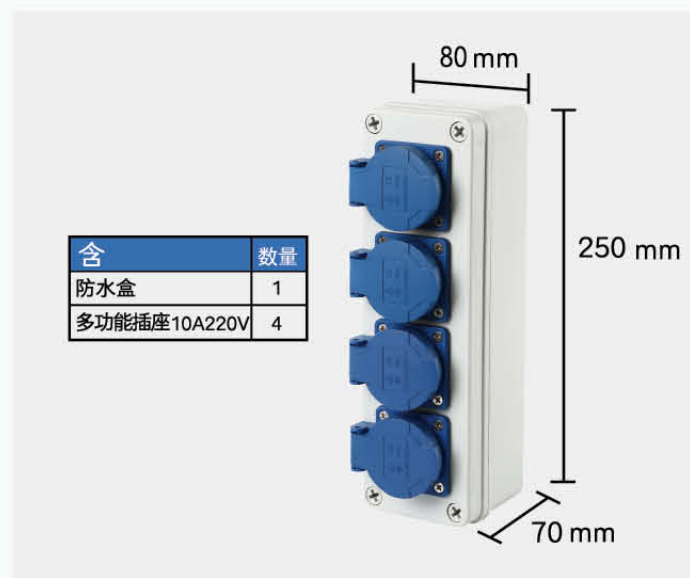
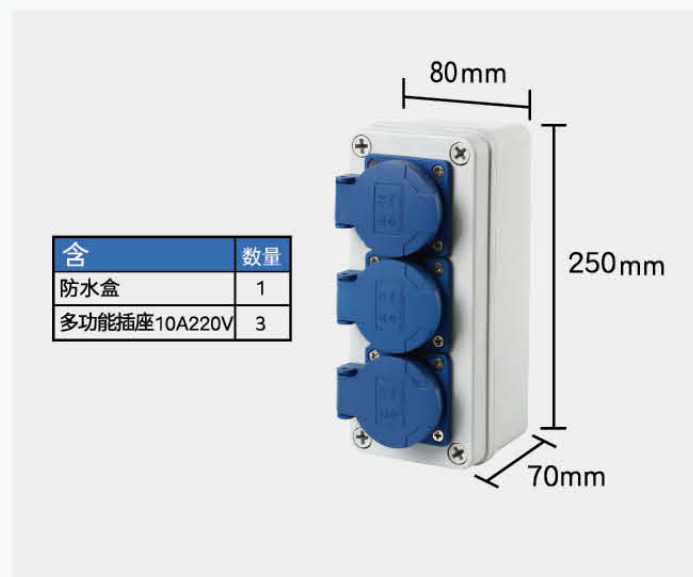
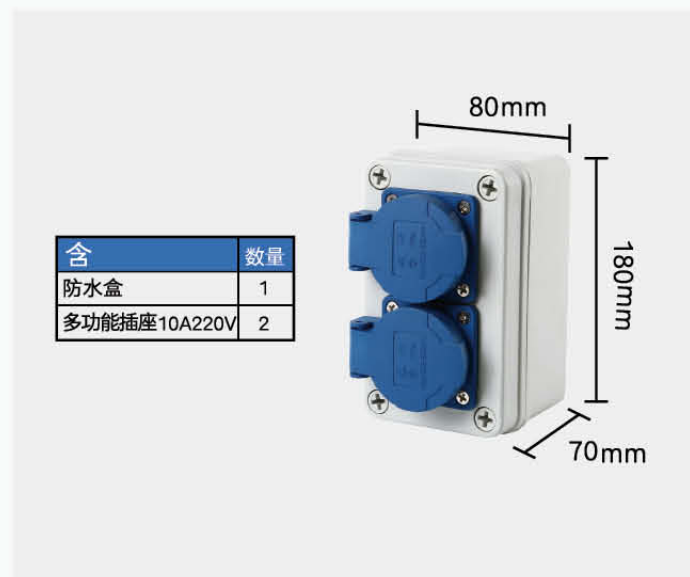
### 型号规格 Model and size



含	数量
防水盒	1
多功能插座10A220V	1





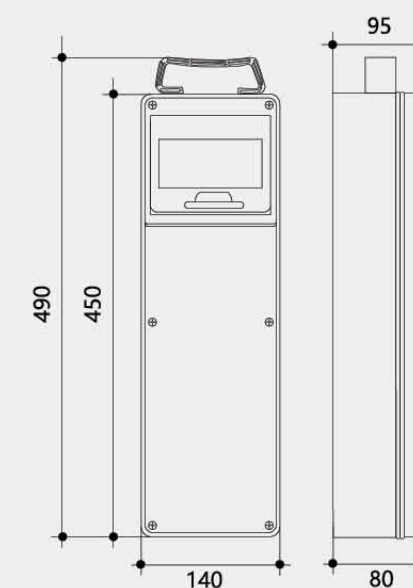


有极好的绝缘性能，抗化学腐蚀和抗机械挤压的性能。达到高要求的IP66防护等级。所有的箱体都防尘、防水，能抗80度高温。采用ABS、PC等材料制成，外形美观，性能坚固。产品适用于小型终端机、按钮盒、信号机、继电器、计量器、通信用接线盒等设备。

Excellent insulation, chemical corrosion resistance and mechanical extrusion resistance. Achieve a high required IP66 protection level. All boxes are dust-proof and waterproof and can resist 80 degrees high temperature. Made of ABS, PC and other materials, the appearance is beautiful, strong performance. The product is suitable for small terminal, button box, signal machine, Relay, meter, credit junction box and other equipment



型号(Model): PTC1 尺寸(Size):450×140×80mm

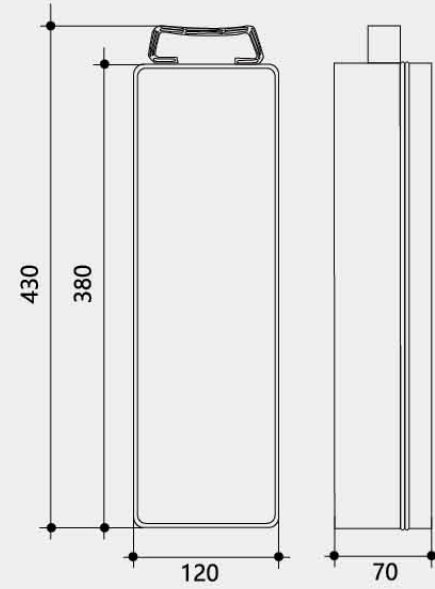


Dimension (允许误差 allowance ±1mm)





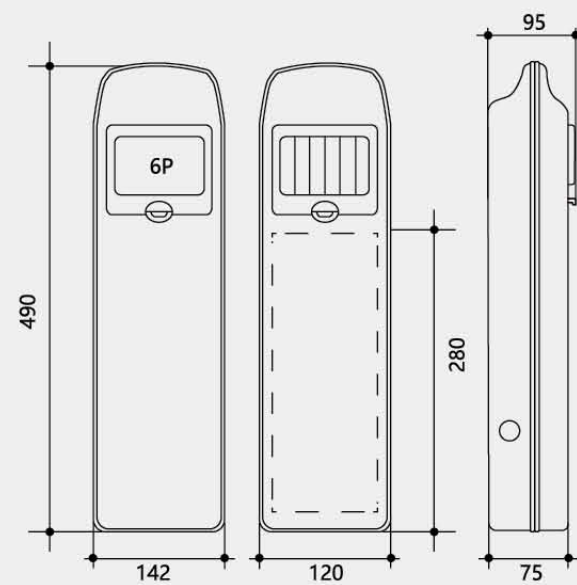
型号(Model): PTC2 尺寸(Size):380×120×70mm



Dimension (允许误差allowance±1mm)



型号(Model): PTC2 尺寸(Size):490×120×70mm



Dimension (允许误差allowance±1mm)





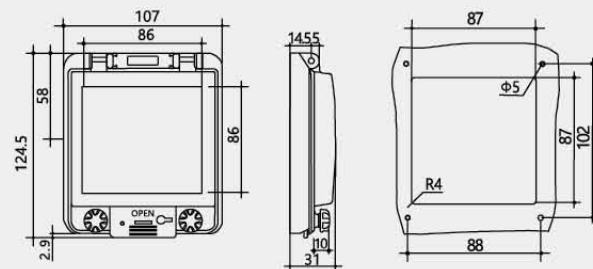


有极好的绝缘性能，抗化学腐蚀和抗机械挤压的性能。达到高要求的IP67防护等级。所有的箱体都防尘、防水，能抗80度高温。采用ABS、PC等材料制成，外形美观，性能坚固。产品适用于小型终端机、按钮盒、信号机、继电器、计量器、通信用接线盒等设备。

Excellent insulation, chemical corrosion resistance and mechanical extrusion resistance. Achieve a high required IP66 protection level. All boxes are dust-proof and waterproof and can resist 80 degrees high temperature. Made of ABS, PC and other materials, the appearance is beautiful, strong performance. The product is suitable for small terminal, button box, signal machine, Relay, meter, credit junction box and other equipment



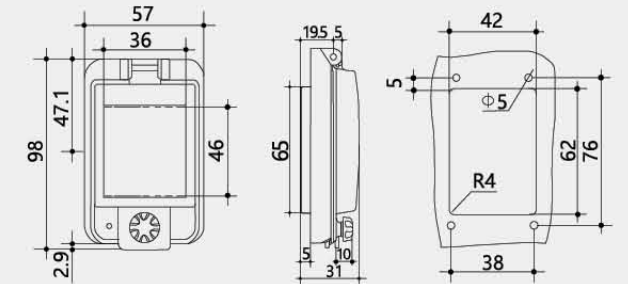
型号(Model): PN5 尺寸(Size):107×24.5×31mm



Dimension (允许误差allowance±1mm)



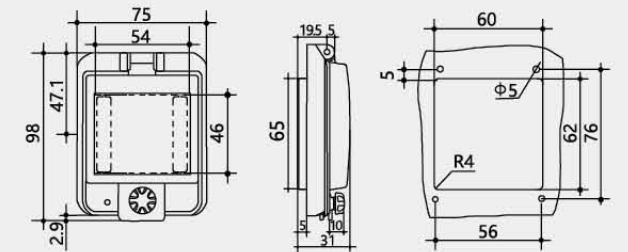
型号(Model): PN2 尺寸(Size):57×98×31mm



Dimension (允许误差allowance±1mm)



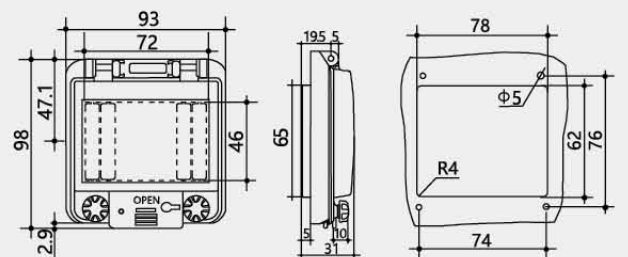
型号(Model): PN3 尺寸(Size):75×98×31mm



Dimension (允许误差allowance±1mm)



型号(Model): PN4 尺寸(Size):93×98×31mm

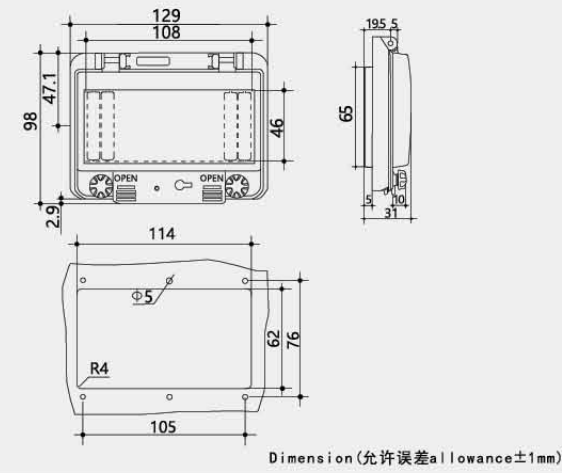


Dimension (允许误差allowance±1mm)

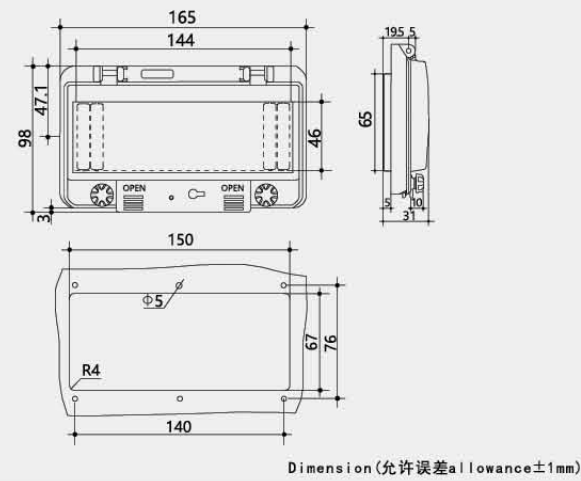




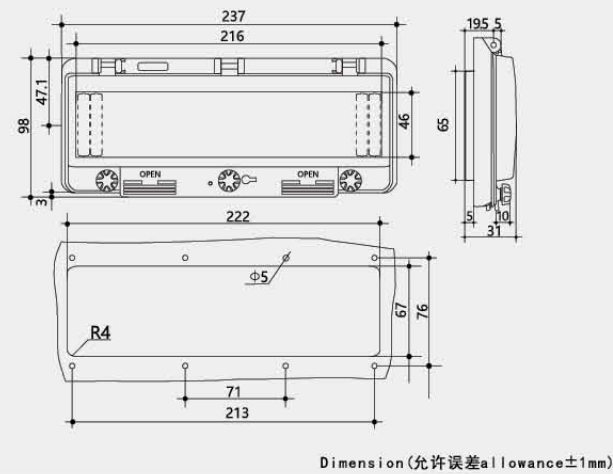
型号(Model): PN6 尺寸(Size):129×98×31mm



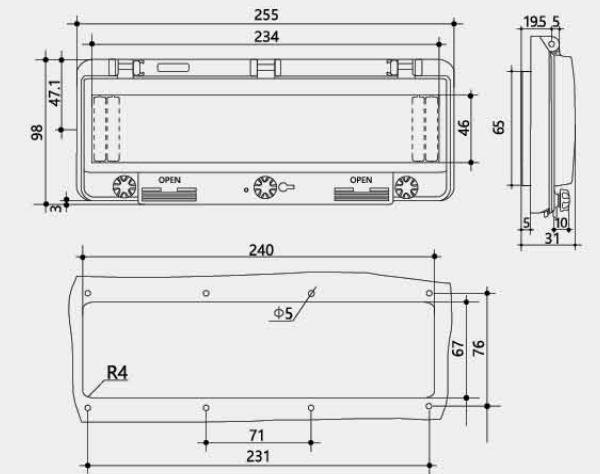
型号(Model): PN8 尺寸(Size):168×98×31mm



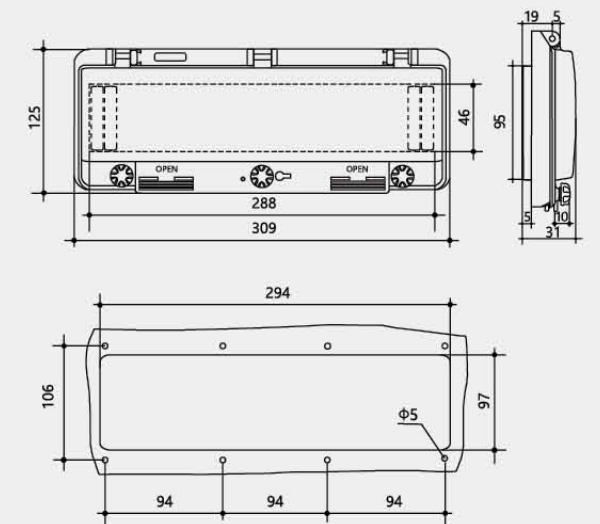
型号(Model): PN12 尺寸(Size):237×98×31mm



型号(Model): PN13 尺寸(Size):255×98×31mm



型号(Model): PN16B 尺寸(Size):309×125×31mm







有极好的绝缘性能，抗化学腐蚀和抗机械挤压的性能。达到高要求的IP65防护等级。所有的箱体都防尘、防水，能抗80度高温。采用ABS、PC等材料制成，外形美观，性能坚固。产品适用于小型终端机、按钮盒、信号机、继电器、计量器、通信用接线盒等设备。

Excellent insulation, chemical corrosion resistance and mechanical extrusion resistance. Achieve a high required IP66 protection level. All boxes are dust-proof and waterproof and can resist 80 degrees high temperature. Made of ABS, PC and other materials, the appearance is beautiful, strong performance. The product is suitable for small terminal, button box, signal machine, Relay, meter, credit junction box and other equipment

型号规格 Model and size



规格型号	产品尺寸	产品重量
HT-5WAY	120*160*95	0.34KG
HT-8WAY	200*155*95	0.53KG
HT-12WAY	250*195*110	0.84KG
HT-15WAY	310*195*110	0.9KG
HT-18WAY	365*195*110	1.07KG
HT-24WAY	360*280*110	1.35KG



有极好的绝缘性能，抗化学腐蚀和抗机械挤压的性能。达到高要求的IP65防护等级。所有的箱体都防尘、防水，能抗80度高温。采用ABS、PC等材料制成，外形美观，性能坚固。产品适用于小型终端机、按钮盒、信号机、继电器、计量器、通信用接线盒等设备。

Excellent insulation, chemical corrosion resistance and mechanical extrusion resistance. Achieve a high required IP66 protection level. All boxes are dust-proof and waterproof and can resist 80 degrees high temperature. Made of ABS, PC and other materials, the appearance is beautiful, strong performance. The product is suitable for small terminal, button box, signal machine, Relay, meter, credit junction box and other equipment

型号规格 Model and size



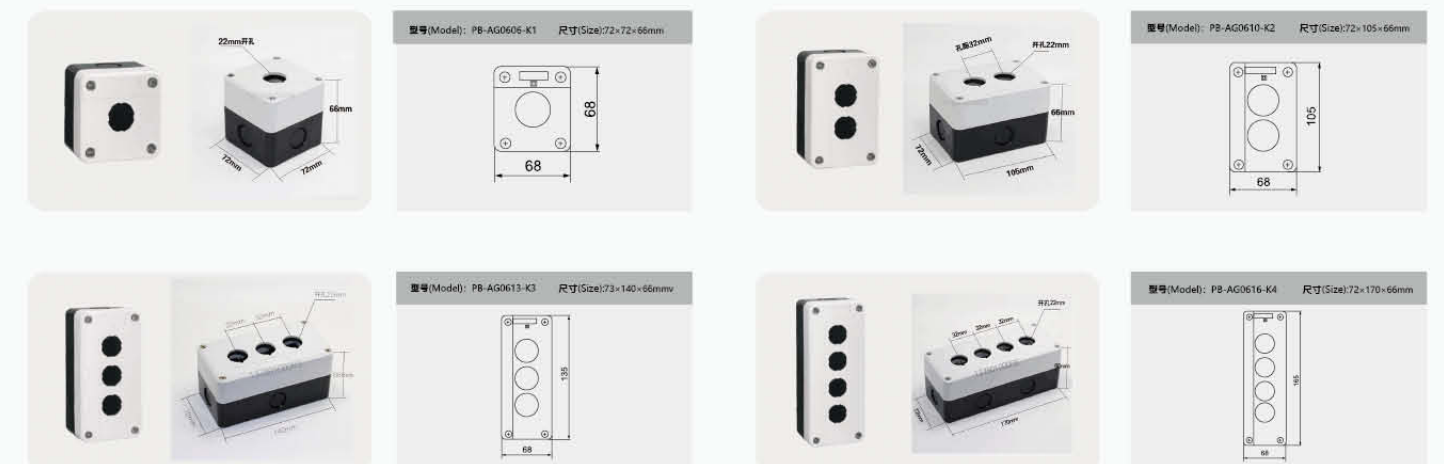
规格型号	产品尺寸	产品重量
HA-4WAY	140*210*100	0.52KG
HA-8WAY	215*210*100	0.78KG
HA-12WAY	300*260*140	1.46KG
HA-18WAY	410*285*140	1.93KG
HA-24WAY	415*300*140	2.34KG





有极好的绝缘性能, 抗化学腐蚀和抗机械挤压的性能。达到高要求的IP66防护等级。所有的箱体都防尘、防水, 能抗80度高温。采用ABS、PC等材料制成, 外形美观, 性能坚固。产品适用于小型终端机、按钮盒、信号机、继电器、计量器、通信用接线盒等设备。

Excellent insulation, chemical corrosion resistance and mechanical extrusion resistance. Achieve a high required IP66 protection level. All boxes are dust-proof and waterproof and can resist 80 degrees high temperature. Made of ABS, PC and other materials, the appearance is beautiful, strong performance. The product is suitable for small terminal, button box, signal machine, Relay, meter, credit junction box and other equipment



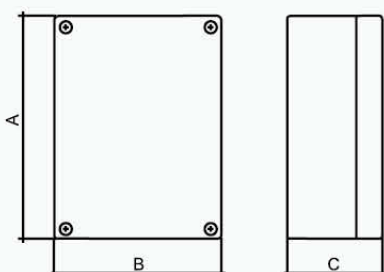




有极好的绝缘性能, 抗化学腐蚀和抗机械挤压的性能。达到高要求的IP66防护等级。所有的箱体都防尘、防水, 能抗80度高温。材料采用高质量压铸铝合金材料压铸而成。产品适用于小型终端机、按钮盒、信号机、继电器、计量器、通信用接线盒等设备。

Excellent insulation, chemical corrosion resistance and mechanical extrusion resistance. Achieve a high required IP66 protection level. All boxes are dust-proof and waterproof and can resist 80 degrees high temperature. The material is made of high-quality die-cast aluminum alloy material die-cast. The product is suitable for small terminal, button box, signal machine, Relay, meter, credit junction box and other equipment.

Dimension(允许误差 ± 1mm)



型号规格 Model and size



产品型号 Product Model	尺寸 Size	产品型号 Product Model	尺寸 Size
PV-FA-060503	64×58×35	PV-FA-221406	220×140×65
PV-FA-080706	80×75×60	PV-FA-221405	222×145×55
PV-FA-080705	80×76×57	PV-FA-221407	222×145×78
PV-FA-090303	96×36×31	PV-FA-221408	222×145×80
PV-FA-100605	100×68×50	PV-FA-221405	222×145×55
PV-FA-101006	100×100×60	PV-FA-221407	222×145×75
PV-FA-110603	111×64×37	PV-FA-281507	228×150×75
PV-FA-110905	115×90×55	PV-FA-221509	228×150×90
PV-FA-110605	115×65×55	PV-FA-231305	230×130×51
PV-FA-110905	115×90×58	PV-FA-241608	240×160×80
PV-FA-110906	115×90×60	PV-FA-241607	240×160×75
PV-FA-121208	120×120×82	PV-FA-241610	240×160×100
PV-FA-120805	120×80×55	PV-FA-251808	250×185×88
PV-FA-120806	120×80×65	PV-FA-250806	250×80×64
PV-FA-120805	125×80×55	PV-FA-250808	250×80×80
PV-FA-130805	135×85×56	PV-FA-251808	250×185×88
PV-FA-141407	140×140×75	PV-FA-250806	250×80×60
PV-FA-141410	140×140×100	PV-FA-251208	250×120×82
PV-FA-141004	145×100×45	PV-FA-261812	260×185×128
PV-FA-151008	150×100×80	PV-FA-261809	260×185×96
PV-FA-161608	160×160×86	PV-FA-261807	260×185×75
PV-FA-161607	160×160×70	PV-FA-261807	265×185×75
PV-FA-161006	160×100×60	PV-FA-281808	280×185×80
PV-FA-161006	160×100×65	PV-FA-292110	295×210×100
PV-FA-161609	160×160×90	PV-FA-292112	295×210×120
PV-FA-160903	165×95×39	PV-FA-302110	300×210×100
PV-FA-170808	175×80×80	PV-FA-302113	300×210×130
PV-FA-170805	175×80×58	PV-FA-321209	320×120×90
PV-FA-170805	175×80×56	PV-FA-342309	340×235×95
PV-FA-181405	180×140×55	PV-FA-342312	340×235×120
PV-FA-181308	185×135×85	PV-FA-342312	340×235×120
PV-FA-181207	188×120×78	PV-FA-342311	340×235×115
PV-FA-201306	200×130×60	PV-FA-342313	340×235×135
PV-FA-201307	200×130×78	PV-FA-342313	340×235×130
PV-FA-201308	200×130×80	PV-FA-342316	340×235×160
PV-FA-201308	200×130×88	PV-FA-342315	340×235×155
PV-FA-221109	220×115×95	PV-FA-342309	340×235×90
PV-FA-221509	220×155×95	PV-FA-361613	360×160×95
PV-FA-221406	220×140×60	PV-FA-361613	360×160×135
		PV-FA-362911	360×290×110





有极好的绝缘性能，抗化学腐蚀和抗机械挤压的性能。达到高要求的IP66防护等级。所有的箱体都防尘、防水，能抗80度高温。材料采用高质量压铸铝合金材料压铸而成。产品适用于小型终端机、按钮盒、信号机、继电器、计量器、通信用接线盒等设备。

Excellent insulation, chemical corrosion resistance and mechanical extrusion resistance. Achieve a high required IP66 protection level. All boxes are dust-proof and waterproof and can resist 80 degrees high temperature. The material is made of high-quality die-cast aluminum alloy material die-cast. The product is suitable for small terminal, button box, signal machine, Relay, meter, credit junction box and other equipment.

Dimension(允许误差 ± 1mm)

